



Model number

VAA-2E2A-IM1-J-S-V1
AS-Interface safety switch

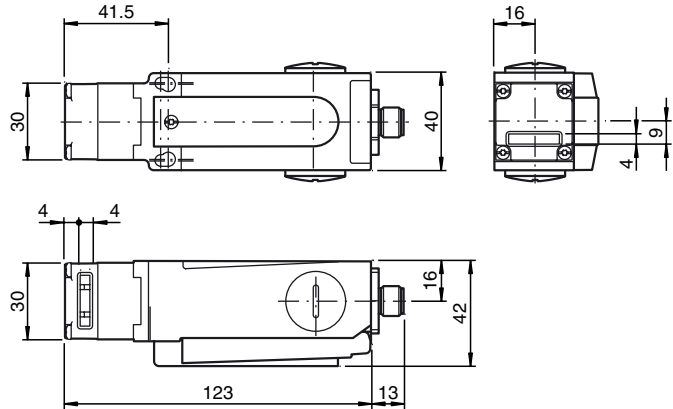
Features

- Applications up to PL_d
- Rotating metal head
- 40 mm narrow construction, fixture dimensions compatible with all safety switches
- Display of AS-Interface voltage and periphery faults
- M12 plug connection

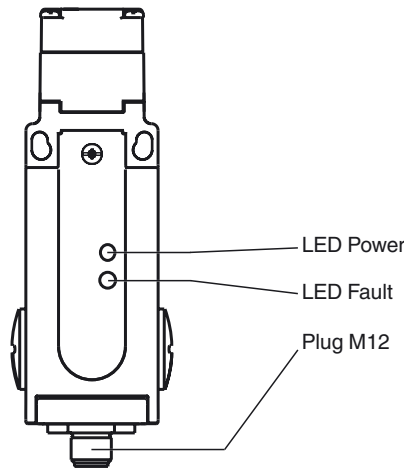
Function

The VAA-2E2A-LIM1-S-V1 safety switch with a separate actuator is a mechanical safety switch with 2 inputs. NC contacts 1 and 2 are monitored via the inputs. Evaluation takes place via a safety monitor. Connection is via an M12 plug. The safety switch is supplied via the AS-Interface. The Power LED indicates operating voltage, the Fault LED indicates a device or communication error. Depending on the application, 4 different models of mechanical actuators can be ordered separately.

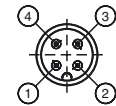
Dimensions



Indicating / Operating means



View of safety switch plug connector



- 1 AS-Interface +
- 2 not used
- 3 AS-Interface -
- 4 not used

Technical data

General specifications

Slave type	Safety-Slave
AS-Interface specification	V2.1
Required master specification	≥ V2.0
UL File Number	E179102

Indicators/operating means

LED FAULT	error display; LED red red: communication error
LED POWER	AS-Interface voltage; LED green

Electrical specifications

Rated operating voltage	U _e	26.5 ... 31.6 V from AS-Interface
Rated operating current	I _e	≤ 45 mA
Rated insulation voltage		50 V

Input

Number/Type	2 safety-related inputs: normally-closed contact 1 normally-closed contact 2
Supply	from AS-Interface

Directive conformity

Electromagnetic compatibility	
Directive 2014/30/EU	EN 62026-2:2013

Standard conformity

Degree of protection	EN 60529:2000
AS-Interface	EN 62026-2:2013
Functional safety	DIN EN 954-1, EN ISO 13849-1 (up to PL _d)

Programming instructions

Profile	S-7.B
IO code	7
ID code	B

Release date: 2019-01-09 10:24 Date of issue: 2019-01-09 211350_eng.xml

ID1 code	F
ID2 code	E
Data bits (function via AS-Interface)	Input
D0	normally-closed contact 1
D1	normally-closed contact 1
D2	normally-closed contact 2
D3	normally-closed contact 2
Ambient conditions	
Ambient temperature	-20 ... 55 °C (-4 ... 131 °F)
Mechanical specifications	
approach speed	≤ 20 m/min
Operating force	25 N
Extraction force	25 N
retention force	10 N
insertion depth	detected min. distance permissible caster
approach direction lateral	24.5 mm 5 mm
approach direction from above	24.5 mm 5 mm
Degree of protection	IP67
Connection	M12 x 1 connector
Material	
Housing	Fiberglass-reinforced thermoplastic
actuating head	metal
cam	stainless steel
Mass	approx. 0.16 kg
Life span	2 x 10 ⁶ switching cycles

Accessories

VAZ-IM1-90°-BOLT-S

Right-angled actuator for AS-Interface safety switches

VAZ-IM1-BOLT-S

Straight actuator for AS-Interface safety switches

VAZ-IM1-LR-RADIUS-BOLT-S

Hinged actuator for right/left mounted doors, for AS-Interface safety switches

VAZ-IM1-TD-RADIUS-BOLT-S

Hinged actuator for top/bottom mounted doors, for AS-Interface safety switches

VAZ-IM1-BASE-BOLT-S

Latches for mechanical safety switches (LIM1 and IM1)

VAZ-IM1-BASE-S

Switch mount for mechanical safety switches (LIM1 and IM1)

VAZ-T1-FK-1M-PUR-V1-G

Splitter box AS-Interface to 1x M12 round connector



SCATTERGOOD & JOHNSON LTD

ELECTRICAL ENGINEERING & FLUID CONTROL DISTRIBUTORS

Est.1899

At Scattergood & Johnson Ltd, we pride ourselves on being a technical distributor to specialist industries.

Working with a range of quality product suppliers across a number of specialist markets, we are not your average 'box shifter' - we are your technical and supply chain partner.

We fully support every product we sell - for free! Our internal team and external sales engineers can answer any product or application question, no matter the complexity.

Backing up this technical ability is a range of 50,000+ products available from stock for nationwide next day delivery (same day if required!), or you can collect what you need from any of our trade counters around the UK.

Select your specialist interest below to learn more about how we can help.



Online, In Branch and On the Road - Scattergood & Johnson Ltd, there when you need us.

www.scatts.co.uk