



**Model number**

**VAA-4A-70MM**

AS-Interface module for stack light

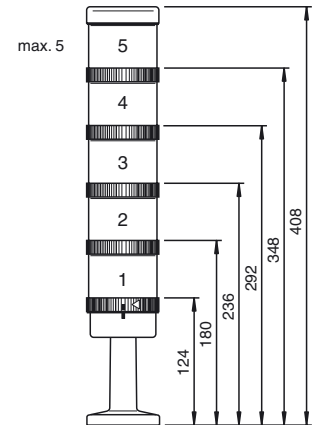
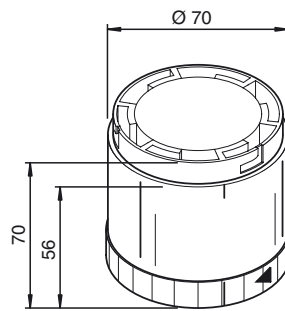
**Features**

- Bayonet system for simple mounting and dismounting
- Degree of protection IP65
- Addressing jack
- Outputs short-circuit and overload proof
- No external power supply required
- Function display for bus, external auxiliary voltage and outputs
- Integrated communication monitoring function
- Modular system

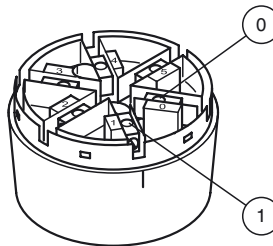
**Function**

The signal column module VAA-4A-70MM is an AS-Interface module with 4 virtually wear-proof semiconductor relay outputs which can trigger up to 4 stages of a signal column. The connection of the external auxiliary voltage and the AS-Interface takes place via screw terminals in the corresponding connection element which is easily fitted to the module via a bayonet system. The supply of the connected outputs can take place either from the internal power supply of the module (from AS-Interface) or via an external power source. Switching takes place via a sliding switch inside the element. The selection of the external power supply is indicated via an LED (AUX). The outputs are protected against reversal, overload and short circuit. An LED to indicate the AS-Interface voltage is available, another indicates errors in the AS-Interface communication. For parameterization there is an addressing jack in the element protected against external interference.

**Dimensions**

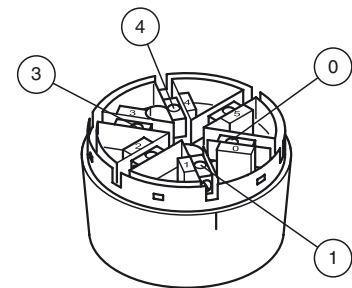


**Electrical connection**



Supply from AS-Interface

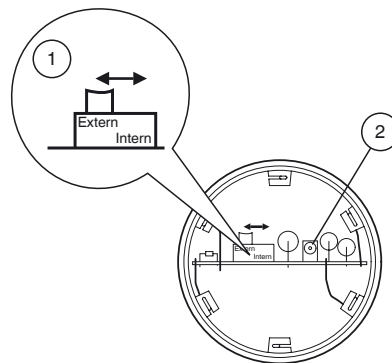
- 0 - AS-Interface
- 1 + AS-Interface



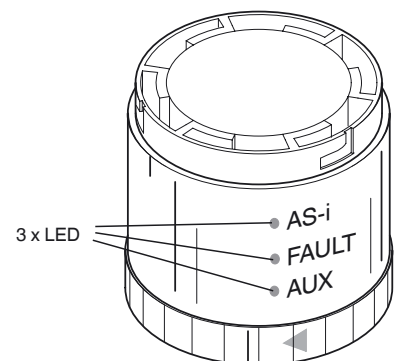
Supply from U<sub>AUX</sub>

- 0 - AS-Interface
- 1 + AS-Interface
- 3 - U<sub>AUX</sub>
- 4 + U<sub>AUX</sub>

**Indicating / Operating means**



- 1 Switch
- 2 Addressing socket



Release date: 2019-08-23 12:32 Date of issue: 2019-08-23 196232\_eng.xml

**Technical data****General specifications**

Slave type	Standard slave
AS-Interface specification	V3.0
Required master specification	≥ V2.0
UL File Number	E223176

**Functional safety related parameters**

MTTF <sub>d</sub>	300 a
-------------------	-------

**Indicators/operating means**

LED FAULT	communication error / address is 0; LED red
LED AS-i	AS-Interface voltage; LED green
LED AUX	ext. auxiliary voltage U <sub>AUX</sub> ; LED green

**Electrical specifications**

Auxiliary voltage (output)	U <sub>AUX</sub>	20 ... 30 V DC PELV
Rated operating voltage	U <sub>e</sub>	26.5 ... 31.6 V from AS-Interface
Rated operating current	I <sub>e</sub>	≤ 210 mA

**Output**

Number/Type	4 semiconductor relay outputs
Supply	from AS-Interface or from external auxiliary voltage as required U <sub>AUX</sub>
Voltage	21 ... 31 V
Current	AS-interface: ≤ 200 mA for the stack light U <sub>AUX</sub> : ≤ 300 mA per light element

**Programming instructions**

Profile	S-8.F
IO code	8
ID code	F

Data bits (function via AS-Interface)	input	output
D0	-	OUT1
D1	-	OUT2
D2	-	OUT3
D3	-	OUT4

**Parameter bits (programmable via AS-i) function**

P0	Communication monitoring P0 = 0 monitoring = off, the outputs maintain the status if communication fails P0 = 1 monitoring = on, i.e. if communication fails, the outputs are deenergised (default settings)
P1	not used
P2	not used
P3	not used

**Ambient conditions**

Ambient temperature	-20 ... 50 °C (-4 ... 122 °F)
---------------------	-------------------------------

**Mechanical specifications**

Degree of protection	IP65
Connection	Bayonet system

**Accessories****VAZ-LED-70MM-LM**

Stack light LED permanent light element, lemon yellow

**VAZ-MH 100-70MM**

Stack light assembly mounting, straight

**VAZ-CLAMP-70MM**

Stack light terminal base with cover plate

**VAZ-MH 90°-70MM**

Stack light assembly mounting, angled

**VAZ-CLAMP-70MM-90°**

Stack light terminal base with cover plate

**VAZ-LED-70MM-YE**

Stack light LED permanent light element, yellow

**VAZ-LED-70MM-RD**

Stack light LED solid light element, red

**VAZ-LED-70MM-GN**

Stack light LED solid light element, green

**VAZ-LED-70MM-CL**

Stack light LED permanent light element, clear

**VAZ-LED-70MM-BU**

Stack light LED permanent light element, blue

**VAZ-LAMP-70MM-CL**

Stack light solid light element, clear

**VAZ-LAMP-70MM-YE**

Stack light solid light element, yellow

**VAZ-LAMP-70MM-GN**

Stack light permanent light element, green

**VAZ-LAMP-70MM-RD**

Stack light solid light element, red

**VAZ-LAMP-70MM-BU**

Stack light solid light element, blue