



Model number

VAN-115/230AC-K19

AS-Interface power supply, data decoupling, 2,8 A

Features

- Up to 2.8 A output load
- Power factor correction
- Electronic overload protection and display
- LED operating display
- AS-Interface data decoupling
- PELV/SELV
- NEC Class 2 Power Supply

Function

The primary pulsed power supply was developed for fieldbus applications that transfer power and data via one two-wire line (AS-Interface concept). With an output current of 2.8 A, it supplies a fully configured AS-Interface system.

In this case, the power supply is responsible for supplying power, decoupling the data to the supply source and providing for symmetry of the two output lines (AS-Interface + and AS-Interface -) relative to the machine mass (shield connection).

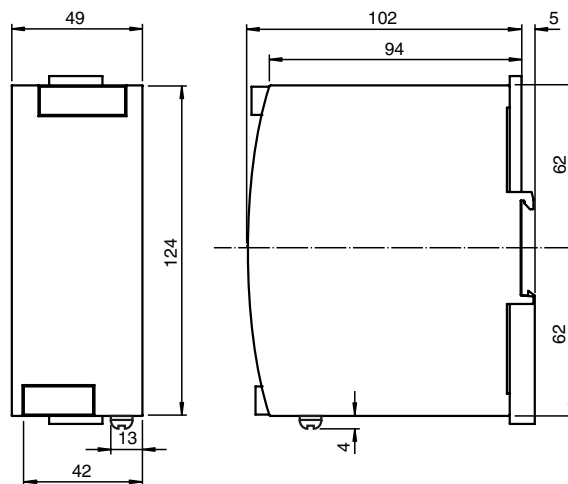
The exact and transformer coupling permits the use of unshielded load lines.

The input voltage range of the device can be selected with a switch. Thus, the power supply can be operated on all conventional single-phase mains voltages worldwide.

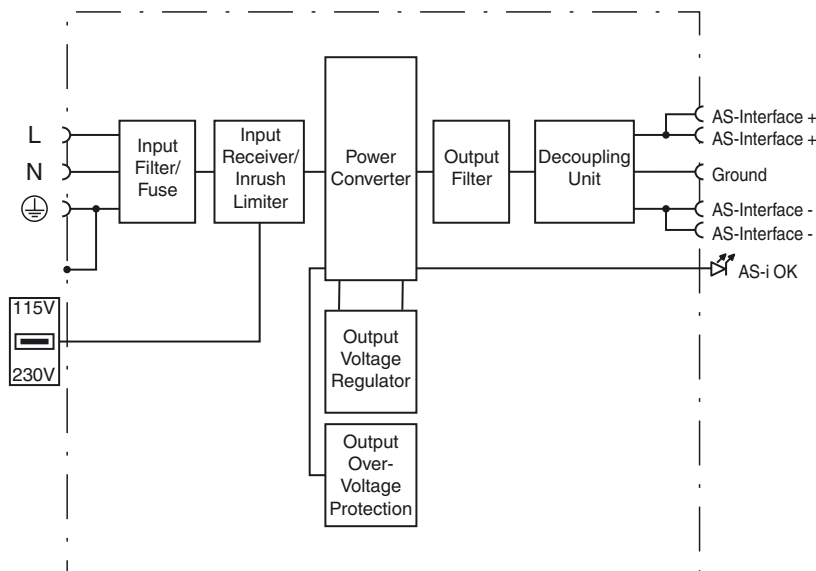
Fusing:

The power supply is protected electronically against external short circuits. The internal fuse disconnects the power supply from the network in the case of a defect.

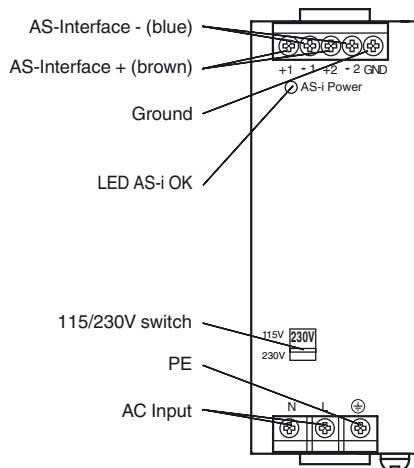
Dimensions



Electrical connection



Indicating / Operating means



Release date: 2019-08-21 14:28 Date of issue: 2019-08-28 225875_eng.xml

Technical data**General specifications**

UL File Number	E223176
MTBF	221 a

Indicators/operating means

LED AS-i ok	LED green: ON: AS-Interface voltage OK OFF: overload or no supply voltage
-------------	---

Electrical specifications

Fusing	2.5 AT (not replaceable)
Capacity factor	> 0.5
Rated operating voltage	U_e nominal: 100 ... 120 V _{AC} /220 ... 240 V _{AC} permissible: 85 ... 132 V _{AC} /184 ... 264 V _{AC}
Rated operating current	I_e 2.0 A at 115 V _{AC} 0.9 A at 230 V _{AC}
Supply frequency	47 ... 63 Hz
Efficiency	90.5 % (230 V _{AC} , 2.8 A)

Output

Current limit	> 3.2 A
Voltage	30.55 V _{DC} ± 3 % fixed
Current	2.8 A
Residual ripple	≤ 50 mV _{SS} (500 kHz bandwidth, 50-Ω-measurement with ohmic load)
Short-circuit current	min. 3.2 A, max. 4.6 A

Ambient conditions

Ambient temperature	-10 ... 70 °C (14 ... 158 °F)
Storage temperature	-25 ... 85 °C (-13 ... 185 °F)
Shock and impact resistance	15g/6 ms 10g/11 ms
Vibration resistance	2 ... 17.8 Hz / 1.6 mm 17.8 ... 500 Hz / 2.0 g
Pollution degree	2 (EN 60950)

Mechanical specifications

Degree of protection	IP20
Protection class	I, Protective conductor connection necessary
Connection	Connection terminals, max. conductor cross-section 0.5 ... 6 mm ² (20-10 AWG), Stripping length 7 mm
Mass	approx. 500 g
Mounting	DIN mounting rail

Compliance with standards and directives

Directive conformity	
Low Voltage Directive 2006/95/EC	EN 60950-1:2006, EN 61204-3:2001
EMC Directive 2004/108/EC	EN 61000-6-2:2005, EN 61000-6-3:2007, EN 50295:1999
Standard conformity	
Electromagnetic compatibility	EN 61000-6-2:2005; EN 61000-6-3:2007
AS-Interface	EN 50295:1999, IEC 62026-2:2006
Mech. capacity	EN 60068-2-6:2008
Shock and impact resistance	EN 60068-2-27:1995

Notes

The "GND" connection must be connected to the potential of the machine in any case.



SCATTERGOOD & JOHNSON LTD

ELECTRICAL ENGINEERING & FLUID CONTROL DISTRIBUTORS

Est.1899

At Scattergood & Johnson Ltd, we pride ourselves on being a technical distributor to specialist industries.

Working with a range of quality product suppliers across a number of specialist markets, we are not your average 'box shifter' - we are your technical and supply chain partner.

We fully support every product we sell - for free! Our internal team and external sales engineers can answer any product or application question, no matter the complexity.

Backing up this technical ability is a range of 50,000+ products available from stock for nationwide next day delivery (same day if required!), or you can collect what you need from any of our trade counters around the UK.

Select your specialist interest below to learn more about how we can help.



Online, In Branch and On the Road - Scattergood & Johnson Ltd, there when you need us.

www.scatts.co.uk