


**ECOLAB**

### Model number

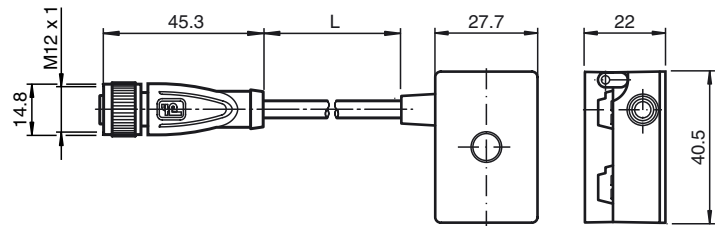
#### VAZ-2T1-FK-G10-5M-PUR-V1-G

Splitter box G10, AS-Interface and auxiliary voltage to 1 x M12 round connector

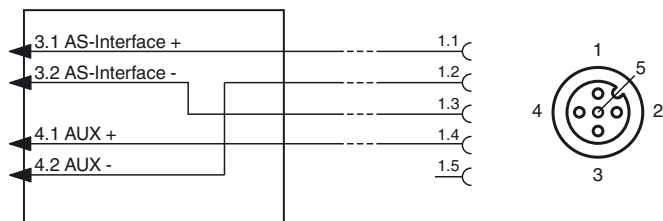
### Features

- One piece housing
- Simple and fast mounting
- Gold-plated and machined contacts
- Oil and abrasion resistant PUR line appropriate for drag chains
- Immunity to vibration
- Degree of protection IP68 / IP69K
- Halogen-free

### Dimensions



### Electrical connection



### Technical data

#### General specifications

Construction type	Socket, straight Flat cable terminals AS-Interface/ext. auxiliary voltage
UL File Number	E223772 "For use in NFPA 79 Applications only"

#### Electrical specifications

Rated operating voltage	$U_e$	$\leq 32$ V PELV ( AS-Interface , ext. auxiliary voltage AUX )
Rated operating current	$I_e$	$\leq 3$ A AS-Interface, $\leq 3$ A AUX
Protection class		III
Current loading capacity		max. 4 A
Surge protection		overvoltage category III
Pulse withstand voltage		800 V

#### Ambient conditions

Ambient temperature	-25 ... 75 °C (-13 ... 167 °F)
Storage temperature	-25 ... 85 °C (-13 ... 185 °F)
Pollution Degree	3

#### Mechanical specifications

Degree of protection	IP67 IP67 / IP68 / IP69K with flat cable VAZ-FK-S*
Connection	Flat cable AS-Interface: cable piercing method Flat cable ext. auxiliary voltage $U_{AUX}$ : Insulation penetration technology Plug connection: M12 x 1 socket (V1)

#### Material

Contacts	CuSn / Au
Housing	PBT PC
Body	black PUR
Cable	PUR
Mounting screw	Stainless steel 1.4305 / AISI 303

#### Cable

Sheath diameter	$\varnothing 4,3$ mm
Color	black
Cores	4 x 0.34 mm <sup>2</sup>
Length	L
Mass	180 g
Tightening torque, fastening screws	1.65 Nm

#### Compliance with standards and directives

Standard conformity	
Degree of protection	EN 60529:2000

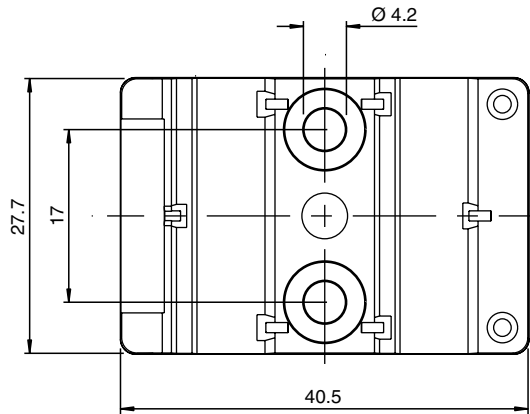
**Approvals and certificates**

UL approval

cULus Listed, Type 1 enclosure

**Notes****Mounting instructions**

You may screw the device onto a level mounting surface using two M4 attachment screws. The attachment screws are not included.





# SCATTERGOOD & JOHNSON LTD

ELECTRICAL ENGINEERING & FLUID CONTROL DISTRIBUTORS

Est.1899

At Scattergood & Johnson Ltd, we pride ourselves on being a technical distributor to specialist industries.

Working with a range of quality product suppliers across a number of specialist markets, we are not your average 'box shifter' - we are your technical and supply chain partner.

We fully support every product we sell - for free! Our internal team and external sales engineers can answer any product or application question, no matter the complexity.

Backing up this technical ability is a range of 50,000+ products available from stock for nationwide next day delivery (same day if required!), or you can collect what you need from any of our trade counters around the UK.

Select your specialist interest below to learn more about how we can help.



Online, In Branch and On the Road - Scattergood & Johnson Ltd, there when you need us.

# [www.scatts.co.uk](http://www.scatts.co.uk)