



Model number

VAZ-FK-R-BK

AS-Interface flat cable for external auxiliary voltage up to 24 V

Features

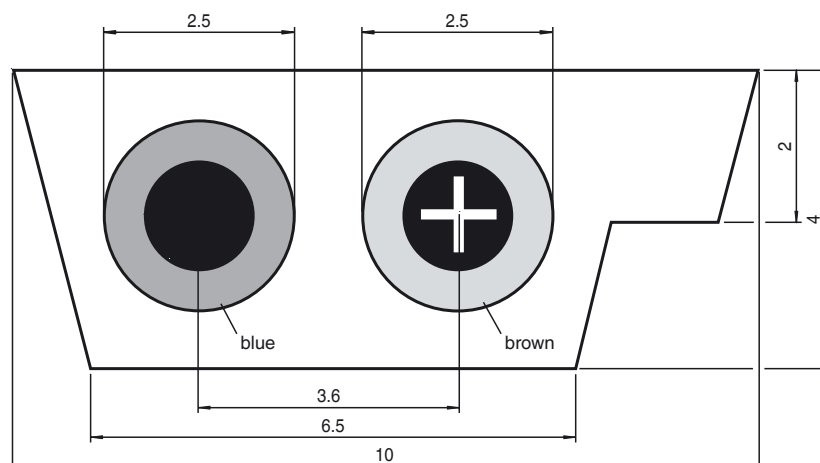
- Oil resistant
- Cable piercing technique
- Resistant to environmental influence
- Resistant to bending
- Suitable for drag chains
- Reverse polarity protected due to the shape of the cable
- Does not give off silicone
- Graduations in meters

Accessories

VAZ-FK-ED3

AS-Interface end seal for flat cable

Dimensions



Technical data

General specifications

UL File Number E130266

Electrical specifications

Nominal voltage 300 V
Current loading capacity According to DIN VDE 0298 Part 4, Table 6, Column 4

Ambient conditions

Conductor temperature Operating mode: 90 °C (363 K)
Short-circuit: 200 °C (473 K)

Ambient temperature -40 ... 85 °C (-40 ... 185 °F) at standstill,
-25 ... 85 °C (-13 ... 185 °F) in motion

Mechanical specifications

Core cross-section Copper tin-plated, extra-fine wire, class 6 in accordance with
DIN VDE 0295
cross-section 1.5 mm²

Bending radius min. permissible bend radii in accordance with DIN VDE 0298
Part 3, Table 2
Bending stress only permitted on the wide side of the cable

Tension loading max. 50 N/mm² on laying acc. to DIN VDE 0298 Part 3

Material Thermoplastic Elastomer (TPE)

Core insulation Thermoplastic Elastomer (TPE)

Cable UL-Style 2103

Color black (Similar to RAL 9005)

Drag chain suitability

Drag chain cycles ≥ 10000000

Motion velocity ≤ 4 m/s

Traverse distance 10 m

Acceleration ≤ 4 m/s²

Cable length 100 m

Flammability

Cable Flame-retardant as per IEC 60332-1 and UL 758



SCATTERGOOD & JOHNSON LTD

ELECTRICAL ENGINEERING & FLUID CONTROL DISTRIBUTORS

Est.1899

At Scattergood & Johnson Ltd, we pride ourselves on being a technical distributor to specialist industries.

Working with a range of quality product suppliers across a number of specialist markets, we are not your average 'box shifter' - we are your technical and supply chain partner.

We fully support every product we sell - for free! Our internal team and external sales engineers can answer any product or application question, no matter the complexity.

Backing up this technical ability is a range of 50,000+ products available from stock for nationwide next day delivery (same day if required!), or you can collect what you need from any of our trade counters around the UK.

Select your specialist interest below to learn more about how we can help.



Online, In Branch and On the Road - Scattergood & Johnson Ltd, there when you need us.

www.scatts.co.uk