



Model number

VAZ-FK-S-BK

AS-Interface flat cable for external auxiliary voltage up to 24 V

Features

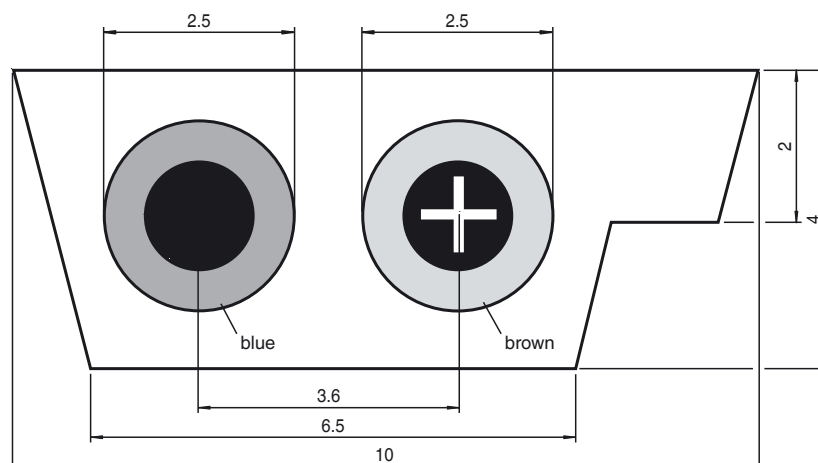
- Cable piercing technique
- Resistant to environmental influence
- Resistant to bending
- Reverse polarity protected due to the shape of the cable
- Halogen-free (PVC-free)
- Does not give off silicone
- Graduations in meters

Accessories

VAZ-FK-ED3

AS-Interface end seal for flat cable

Dimensions



Technical data

Electrical specifications

| | |
|--------------------------|---|
| Nominal voltage | 300 V |
| Current loading capacity | According to DIN VDE 0298 Part 4, Table 6, Column 4 |

Ambient conditions

| | |
|-----------------------|---|
| Conductor temperature | Operating mode: 90 °C (363 K) Short-circuit: 200 °C (473 K) |
| Ambient temperature | -40 ... 85 °C (-40 ... 185 °F) at standstill, -25 ... 85 °C (-13 ... 185 °F) in motion |

Mechanical specifications

| | |
|--------------------|--|
| Core cross-section | Copper tin-plated, extra-fine wire, class 6 in accordance with DIN VDE 0295 cross-section 1.5 mm ² |
| Bending radius | min. permissible bend radii in accordance with DIN VDE 0298 Part 3, Table 2 Bending stress only permitted on the wide side of the cable |
| Tension loading | max. 50 N/mm ² on laying acc. to DIN VDE 0298 Part 3 |
| Material | EPDM Rubber compound EM3, based on DIN VDE 0207 Part 21 |
| Core insulation | Rubber compound in accordance with DIN VDE 0207 Part 20 |
| Cable | |
| Color | black (Similar to RAL 9005) |
| Cable length | 100 m |



SCATTERGOOD & JOHNSON LTD

ELECTRICAL ENGINEERING & FLUID CONTROL DISTRIBUTORS

Est.1899

At Scattergood & Johnson Ltd, we pride ourselves on being a technical distributor to specialist industries.

Working with a range of quality product suppliers across a number of specialist markets, we are not your average 'box shifter' - we are your technical and supply chain partner.

We fully support every product we sell - for free! Our internal team and external sales engineers can answer any product or application question, no matter the complexity.

Backing up this technical ability is a range of 50,000+ products available from stock for nationwide next day delivery (same day if required!), or you can collect what you need from any of our trade counters around the UK.

Select your specialist interest below to learn more about how we can help.



Online, In Branch and On the Road - Scattergood & Johnson Ltd, there when you need us.

www.scatts.co.uk