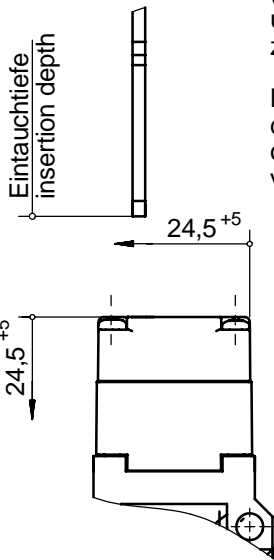
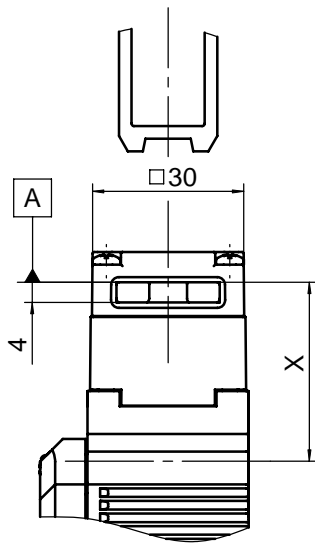


Data Sheet VAZ-IM1-BOLT-S

Dimensions in mm

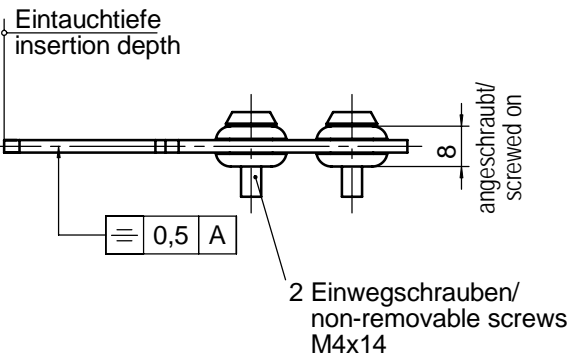


Zur Montage an der Maschine müssen Sicherheitsschalter (mit Einführtrichter) und Betätiger zusammengefügt sein.

The safety switch and actuator must be assembled together before installing on the machine.

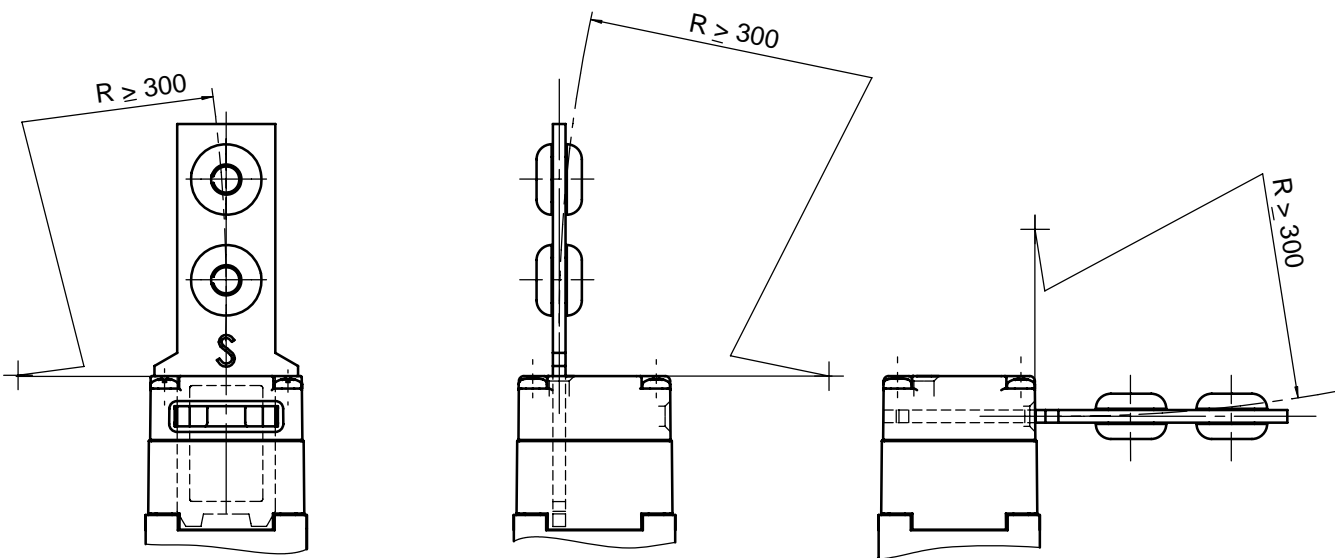
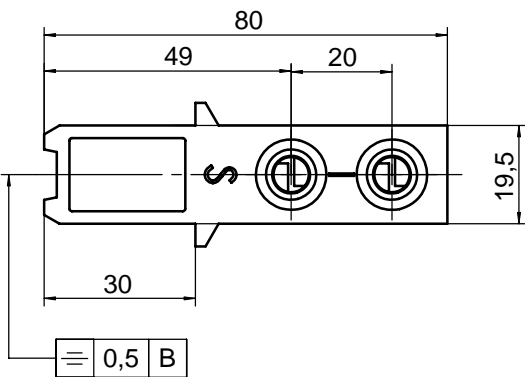
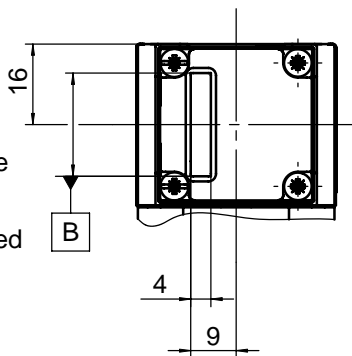
Betätiger und Schalter dürfen nicht zur Führung oder als Anschlag verwendet werden.

Actuators must not be used as guides or end stops.



X und Y - Maß siehe produktbezogene Betriebsanleitung

X and Y - Dimension see product-related operating instruction



104438 - 2 - 29.07.08 - BK - HE - TK Blatt/sheet 1

Subject to modifications without notice

Pepperl+Fuchs Group
www.pepperl-fuchs.com

USA: +1 330 486 0001
fa-info@us.pepperl-fuchs.com

Germany: +49 621 776-4411
fa-info@de.pepperl-fuchs.com

Copyright Pepperl+Fuchs
Singapore: +65 6779 9091
fa-info@sg.pepperl-fuchs.com





SCATTERGOOD & JOHNSON LTD

ELECTRICAL ENGINEERING & FLUID CONTROL DISTRIBUTORS

Est.1899

At Scattergood & Johnson Ltd, we pride ourselves on being a technical distributor to specialist industries.

Working with a range of quality product suppliers across a number of specialist markets, we are not your average 'box shifter' - we are your technical and supply chain partner.

We fully support every product we sell - for free! Our internal team and external sales engineers can answer any product or application question, no matter the complexity.

Backing up this technical ability is a range of 50,000+ products available from stock for nationwide next day delivery (same day if required!), or you can collect what you need from any of our trade counters around the UK.

Select your specialist interest below to learn more about how we can help.



Online, In Branch and On the Road - Scattergood & Johnson Ltd, there when you need us.

www.scatts.co.uk