

Ultrasonic proximity switch

3RG6025-3AD00-PF	Compact range M30 K1, normally open Kompaktreihe M30 K1, Schließer	Connector M12 Stecker M12
3RG6025-3AC00-PF	Compact range M30 K1, normally closed Kompaktreihe M30 K1, Öffner	Connector M12 Stecker M12



Size/Bauform : cylindrical M30/zyllindrisch M30
Swivel sensor / Schwenkkopf

Function/Funktion : Diffuse/Taster

Operating distance/Schaltabstand

Sensing range/Erfassungsbereich : 400 ... 3000 mm
Focusing range/Einstellbereich : 400 ... 3000 mm
Standard target/Normmessplatte : 50 x 50 mm
Repeat accuracy/Wiederholgenauigkeit R : +/- 5 mm
Switching hysteresis/Hysterese H : 20 mm
Rated ultrasonic frequency/
Ultraschallnennfrequenz : 120 kHz

Power supply voltage/ Versorgungsspannung

Rated operational voltage/
Bemessungsbetriebsspannung Ue : 24 V DC
Operating voltage range/
Betriebsspannungsbereich UB : 12 ... 30 V DC incl. ripple content /
12 ... 30 V DC incl. Restwelligkeit
by reduction of operating voltage/
bei Betriebsspannungsreduzierung : 12 V < operating voltage < 20 V
12 V < Betriebsspannung < 20 V
Detection/Erfassung : 20 % < reduced sensitivity < 0 %
20 % < reduzierte Empfindlichkeit < 0 %

No-load supply current/Leerlaufstrom Io : max. 50 mA
max. ripple content/zul. Restwelligkeit : 10 %

Output/Ausgang

Output/Ausgangsart : pnp
Rated operational current/
Bemessungsbetriebsstrom Ie : max. 300 mA
Output voltage drop/Spannungsfall max. Ud : max. 3V (300mA)
Off-state current/Reststrom Ir : max. 0,01 mA
Short circuit strength/Kurzschlußfestigkeit : built-in/eingebaut
Overload withstand capability/
Überlastfestigkeit : built-in/eingebaut


Ultrasonic proximity switch
Times/Zeiten

Frequency of operating cycles/ Schaltfrequenz	f	:	2 Hz
Time delay before availability/ Bereitschaftsverzug	tv	:	280 ms
Response time/Ansprechzeit		:	200 ms

Temperatures/Temperaturen

Rated temperature/ Bemessungstemperatur	Tu	:	25 Cel
Ambient temperature/ zul. Umgebungstemperatur	Ta	:	-25 ... +70 Cel
Storage temperature range/ zul. Lagertemperatur	Ts	:	-40 ... +85 Cel
Thermal drift (teach value)/ Temperaturdrift (Toleranzwert)		:	
by heating treatment/bei Erwärmung		:	+ 0,17 % / K
by cooling off/bei Abkühlung		:	- 0,17 % / K

Electrical protections/**Elektrische Schutzmaßnahmen, EMV**

Reverse voltage protection/ Verpolungsschutz	:	built-in/eingebaut
Wire breakage protection/ Drahtbruchsicherheit	:	built-in/eingebaut
Inductive overvoltage/Induktionsschutz	:	built-in/eingebaut
False pulses/Einschaltfehlimpuls	:	suppressed/unterdrückt
IEC 61000-4-2		4 kV
IEC 61000-4-3		10 V/m
IEC 61000-4-4		2 kV
IEC 61000-4-6		10 V/m
EN 55011		Class B



Ultrasonic proximity switch

Mechanical protections/

Mechanische Schutzmaßnahmen

Degree of protection/Schutzart	:	IP 65
Shock/Schockbeanspruchung	:	30 g; 11 ms duration/Einwirkdauer
Vibration/Schwingbeanspruchung	:	10 bis 55 Hz, 1 mm amplitude/Amplitude
Max. tightening torque/ max. Anzugsdrehmoment	:	60 Nm

Indicators/Anzeigen

:	LED (yellow)/LED (gelb):
Switching status: On:	LED shines/
Schaltzustand: Ein:	LED leuchtet
Misadjustment:	LED flashes/
Fehleinstellung:	LED blinkt

Mounting conditions/

Einbaubedingungen

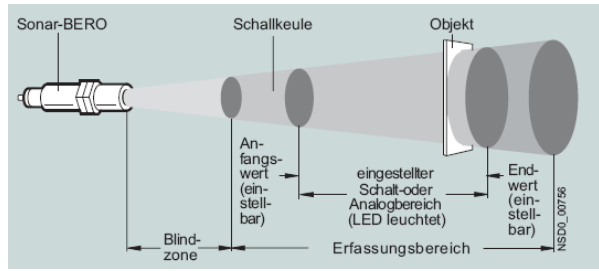
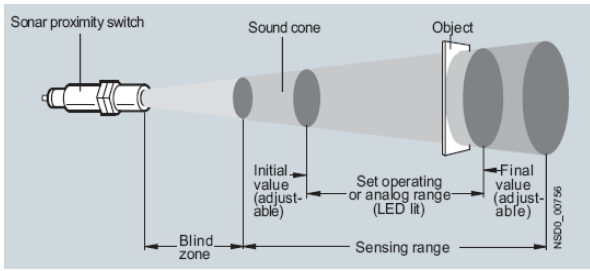
Mounting position/Einbaulage	:	any/beliebig
Max. cable length/ max. zulässige Leitungslänge	:	300 m

Constructive characteristics/

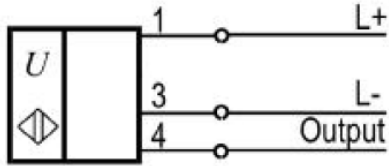
Konstruktive Merkmale

Housing material/Gehäuse	:	brass nickel-plated/Messing vernickelt
Connection/Anschluß	:	Connector M12/Stecker M12
Direction of radiation / Abstrahlrichtung	:	front side/stirnseitig
Weight/Gewicht	:	0,34 kg

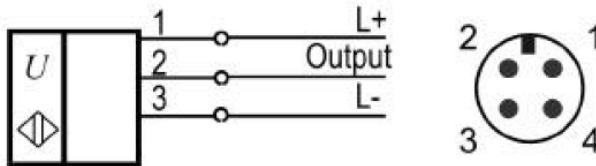
Ultrasonic proximity switch



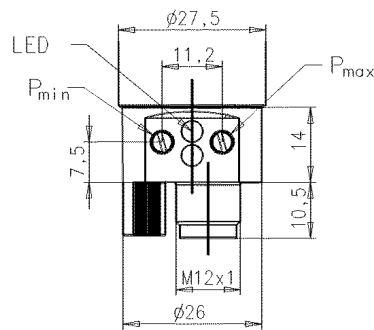
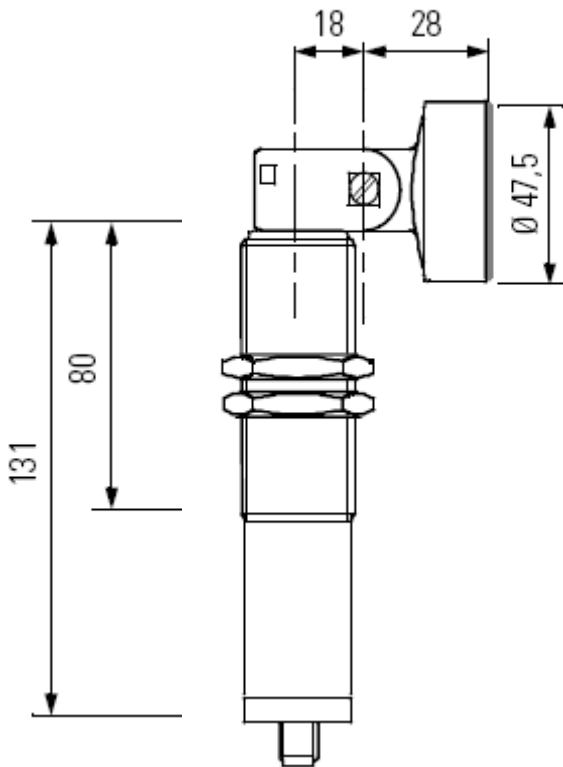
3RG6025-3AD00-PF:



3RG6025-3AC00-PF:



3RG6□25-





SCATTERGOOD & JOHNSON LTD

ELECTRICAL ENGINEERING & FLUID CONTROL DISTRIBUTORS

Est.1899

At Scattergood & Johnson Ltd, we pride ourselves on being a technical distributor to specialist industries.

Working with a range of quality product suppliers across a number of specialist markets, we are not your average 'box shifter' - we are your technical and supply chain partner.

We fully support every product we sell - for free! Our internal team and external sales engineers can answer any product or application question, no matter the complexity.

Backing up this technical ability is a range of 50,000+ products available from stock for nationwide next day delivery (same day if required!), or you can collect what you need from any of our trade counters around the UK.

Select your specialist interest below to learn more about how we can help.



Online, In Branch and On the Road - Scattergood & Johnson Ltd, there when you need us.

www.scatts.co.uk