

Ultrasonic proximity switch



6GR6232-3AB00-PF	Compact range M18S, normally open Kompaktreihe M18S, Schließer	Connector M12 Stecker M12
-------------------------	---	------------------------------

Size/Bauform : cylindrical M18 Shorty/zyklindrisch M18 Shorty
straight form / gerade-Bauform

Function/Funktion : **Diffuse/Taster**

Operating distance/Schaltabstand

Sensing range/Erfassungsbereich : 20 ... 250 mm
 Focusing range/Einstellbereich : 35 ... 250 mm
 Adjustment/Einstellung : Teach-in via Pin/Teach-in über Pin
 Standard target/Normmessplatte : 20 x 20 mm
 Repeat accuracy/Wiederholgenauigkeit R : +/- 1 mm
 Switching hysteresis/Hysterese H : 5 mm
 Rated ultrasonic frequency/
 Ultraschallnennfrequenz : 400 kHz

Output/Ausgang

Output/Ausgangsart : pnp
 Switching function/Schaltfunktion : Normally open/Schließer
 Rated operational current/
 Bemessungsbetriebsstrom Ie : 150 mA
 Output voltage drop/Spannungsfall max. Ud : 2 V
 Off-state current/Reststrom Ir : max. 0,01 mA
 Short circuit strength/Kurzschlußfestigkeit : built-in/eingebaut
 Overload withstand capability/
 Überlastfestigkeit : built-in/eingebaut

Power supply voltage/ Versorgungsspannung

Rated operational voltage/
 Bemessungsbetriebsspannung Ue : 24 V DC
 Operating voltage range/
 Betriebsspannungsbereich UB : 20 ... 30 V DC
 No-load supply current/Leerlaufstrom Io : max. 20 mA
 max. ripple content/zul. Restwelligkeit : 10%

Ultrasonic proximity switch

Teach-in/Lerneingang

Function/Funktion	:	End of switching zone/Schaltbereichsende
max. input voltage/max. Eingangsspannung	:	Operational voltage/Betriebsspannung
max. L-Level (Teach-in active)/ max. L-Pegel (Teach-in aktiv)	:	<0,7 V
min. H-Level (Teach-in inactive)/ min. H-Level (Teach-in inaktiv)	:	15 V
Input resistance (No-load supply current)/ Eingangswiderstand (Stromsenke)	:	16 kOhm
min. Teach-in time/min. Teach-in Zeit	:	3 sec
Synchronization/Synchronisieranschluß	:	not built-in/nicht eingebaut

Times/Zeiten

Frequency of operating cycles/ Schaltfrequenz	f	:	10 Hz
Time delay before availability/ Bereitschaftsverzug	tv	:	20 ms
Response time/Ansprechzeit		:	50 ms

Temperatures/Temperaturen

Rated temperature/ Bemessungstemperatur	Tu	:	25 Cel
Ambient temperature/ zul. Umgebungstemperatur	Ta	:	-25 ... +70 Cel
Storage temperature range range/ zul. Lagertemperatur	Ts	:	-40 ... +85 Cel
Thermal drift (teach value)/ Temperaturdrift (Toleranzwert)		:	
by heating treatment/bei Erwärmung		:	+ 0,17 % / K
by cooling off/bei Abkühlung		:	- 0,17 % / K

Electrical protections/

Elektrische Schutzmaßnahmen, EMV

Reverse voltage protection/ Verpolungsschutz	:	built-in/eingebaut
Wire breakage protection/ Drahtbruchsicherheit	:	built-in/eingebaut
Inductive overvoltage/Induktionsschutz	:	built-in/eingebaut
False pulses/Einschaltfehlimpuls	:	suppressed/unterdrückt
IEC 61000-4-2		4 kV
IEC 61000-4-3		10 V/m
IEC 61000-4-4		2 kV
IEC 61000-4-6		10 V/m
EN 55011		Class B

Mechanical protections/

Mechanische Schutzmaßnahmen

Degree of protection/Schutzart	:	IP 67
Shock/Schockbeanspruchung	:	30 g; 11 ms duration/Einwirkdauer
Vibration/Schwingbeanspruchung	:	10 bis 55 Hz, 1 mm amplitude/Amplitude
Max. tightening torque/ max. Anzugsdrehmoment	:	60 Nm

Indicators/Anzeigen

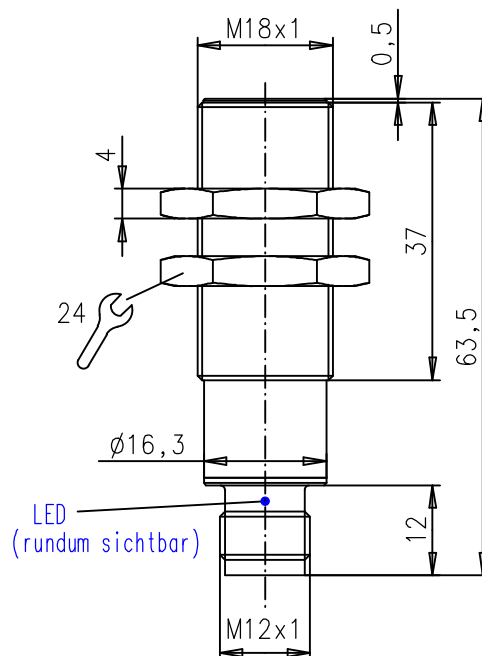
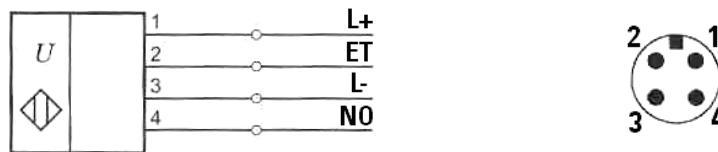
: LED (yellow)/LED (gelb):
 Switching status: On: LED shines/
 Schaltzustand: Ein: LED leuchtet
 Teach-in mode: LED flashes/
 Teach-in Modus: LED blinkt

Mounting conditions/ Einbaubedingungen

Mounting position/Einbaulage : any/beliebig
 Max. cable length/
 max. zulässige Leitungslänge : 300 m

Constructive characteristics/ Konstruktive Merkmale

Housing material/Gehäuse : brass nickel-plated/Messing vernickelt
 Connection/Anschluß : Connector M12, 4-pole/Stecker M12, 4-polig
 Direction of radiation/Abstrahlrichtung : Front side/stirnseitig
 Weight/Gewicht : 0,03 kg





SCATTERGOOD & JOHNSON LTD

ELECTRICAL ENGINEERING & FLUID CONTROL DISTRIBUTORS

Est.1899

At Scattergood & Johnson Ltd, we pride ourselves on being a technical distributor to specialist industries.

Working with a range of quality product suppliers across a number of specialist markets, we are not your average 'box shifter' - we are your technical and supply chain partner.

We fully support every product we sell - for free! Our internal team and external sales engineers can answer any product or application question, no matter the complexity.

Backing up this technical ability is a range of 50,000+ products available from stock for nationwide next day delivery (same day if required!), or you can collect what you need from any of our trade counters around the UK.

Select your specialist interest below to learn more about how we can help.



Online, In Branch and On the Road - Scattergood & Johnson Ltd, there when you need us.

www.scatts.co.uk