

# Instruction Sheet

## STI isolatable fuse-carriers

### 230 V neon indicator light (Option)

- Indicates fuse blowing (off in normal operation and lit red after fuse blowing)
- 400 V maxi

### Padlocking device

- Locks the toggle in the "open" or "closed" position. Used with an 8 mm max. diameter padlock (not supplied):
- only one padlock for 1P, 1P+N and 2P products (on the left pole)
- and two padlocks on the 3P and 3P+N products (on every extremity)

### 1P+N, 3P+N

- Phase opening causes compulsory opening of the neutral
- The phase opens before the neutral on isolation and closes after the neutral on circuit closing
- Small dimensions:
  - 1P+N in 18 mm
  - 3P+N in 54 mm

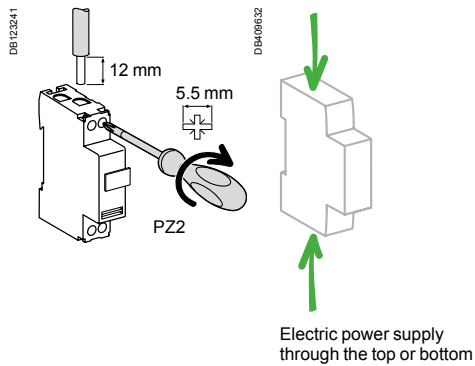
### Fuse-carrier

- Captive
- Additional housing is provided for a spare fuse

### Clip-on markers

- Used to identify:
  - either on the front face
  - or on the downstream terminals

### Connection



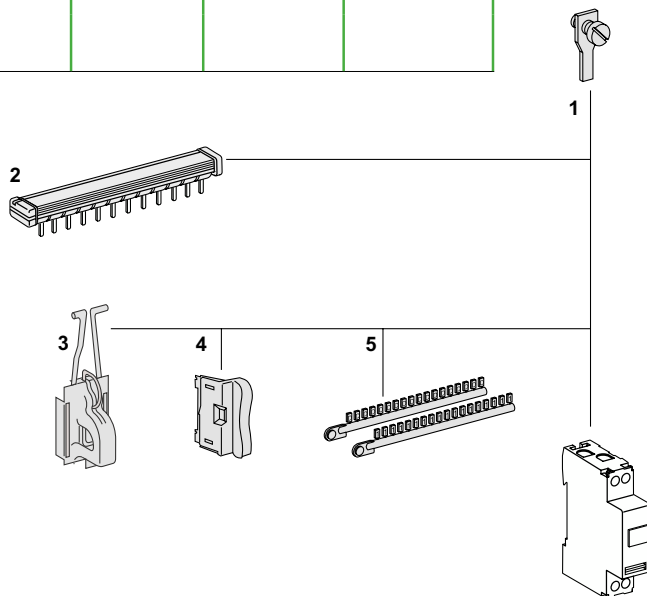
Tightening torque	Without accessory			With accessories
	Copper cables			Screw-on connection for ring terminal
	Rigid	Flexible		
		with ferrule	without ferrule	
2 N.m	DB122845 	DB123554 	DB123553 	DB116789 
	0.75 to 10 mm <sup>2</sup> 2 x 0.75 mm <sup>2</sup> to 2 x 4 mm <sup>2</sup>	0.5 to 6 mm <sup>2</sup> 2 x 0.5 mm <sup>2</sup> to 2 x 4 mm <sup>2</sup>	1 to 6 mm <sup>2</sup> 2 x 1 mm <sup>2</sup> to 2 x 4 mm <sup>2</sup>	Ø 5 mm

1 Screw-on connection for ring terminal **27053**

### Mounting accessories

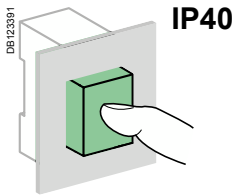
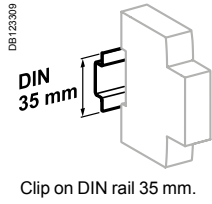
2	Comb busbar	See modules	<b>CA907026, CA907027</b>
3	Padlocking device		<b>15669</b>
4	Neon indicator light	1 piece blister	<b>15668</b>
5	Clip-on terminal markers	See module	<b>CA907012</b>

DB106772



# Instruction Sheet

## STI isolatable fuse-carriers (cont.)



### Technical data

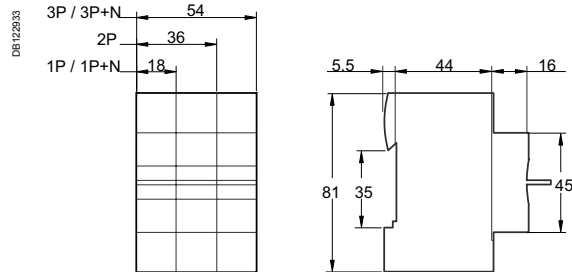
Main characteristics	
Insulation voltage (Ui)	500 V
Breaking capacity according to IEC 60947-2 $\leq 400$ V	8 kA
Pollution degree	3
Operating frequency	50/60 Hz

Additional characteristics	
Degree of protection Device in modular enclosure	IP40 Insulation class II
Operating temperature	-20°C to +60°C
Storage temperature	-40°C to +80°C

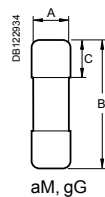
Maximum dissipated power per pole of STI isolatable fuse-carriers			
Fuse cartridge type		I <sub>th</sub>	P <sub>max</sub>
8.5 x 31.5 mm	aM	10 A	2.5 W
	gG	20 A	2.5 W
10.3 x 38 mm	aM	16 A	3 W
	gG	25 A	3 W

Maximum dissipated power per fuse cartridges			
Fuse cartridge type		I <sub>th</sub>	P <sub>max</sub>
8.5 x 31.5 mm	aM	2 to 10 A	0.9 W
	gG	2 to 10 A	2.5 W
10.3 x 38 mm	aM	2 to 25 A	1.2 W
	gG	2 to 25 A	3 W

### Dimensions (mm)



STI



aM, gG fuse cartridge			
Type	A	B	C
8.5 x 31.5 mm	8.5	31.5	10.3
10.3 x 38 mm	10.3	38	10.5



# SCATTERGOOD & JOHNSON LTD

ELECTRICAL ENGINEERING & FLUID CONTROL DISTRIBUTORS

Est.1899

At Scattergood & Johnson Ltd, we pride ourselves on being a technical distributor to specialist industries.

Working with a range of quality product suppliers across a number of specialist markets, we are not your average 'box shifter' - we are your technical and supply chain partner.

We fully support every product we sell - for free! Our internal team and external sales engineers can answer any product or application question, no matter the complexity.

Backing up this technical ability is a range of 50,000+ products available from stock for nationwide next day delivery (same day if required!), or you can collect what you need from any of our trade counters around the UK.

Select your specialist interest below to learn more about how we can help.



Online, In Branch and On the Road - Scattergood & Johnson Ltd, there when you need us.

# [www.scatts.co.uk](http://www.scatts.co.uk)