

# Vigi iC60 A9V0●●●●

en



The installation, or part of it, is protected by devices which automatically switch off the supply if earth default develops.

These devices should be tested periodically according to the local regulations, by pressing on the button marked "T".

**⚡ ⚠ DANGER**

**HAZARD OF ELECTRIC SHOCK, EXPLOSION, OR ARC FLASH**

■ Test once a month each device by pressing on the button marked "T".  
**Failure to follow these instructions will result in death or serious injury.**

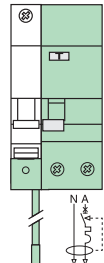
The devices should switch off the supply immediately, and should then be switched on to restore the supply.

If the devices do not switch off the supply when the button is pressed, seek expert advice.

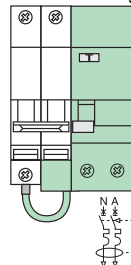


**i**

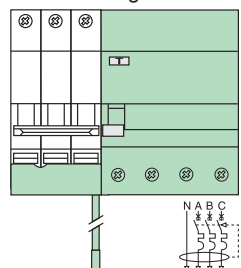
iC60 1P + Vigi iC60 1P+N



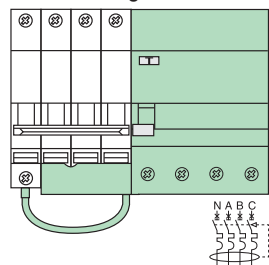
iC60 2P + Vigi iC60 1P+N



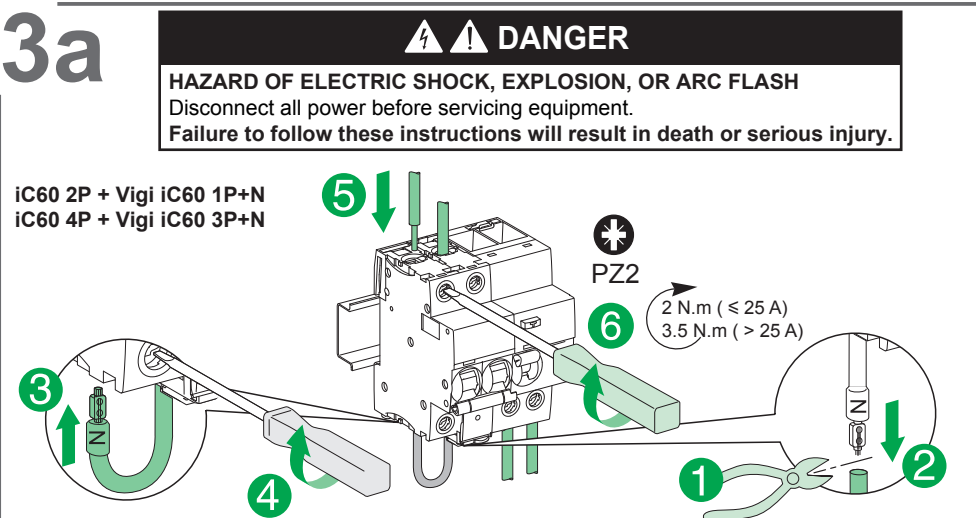
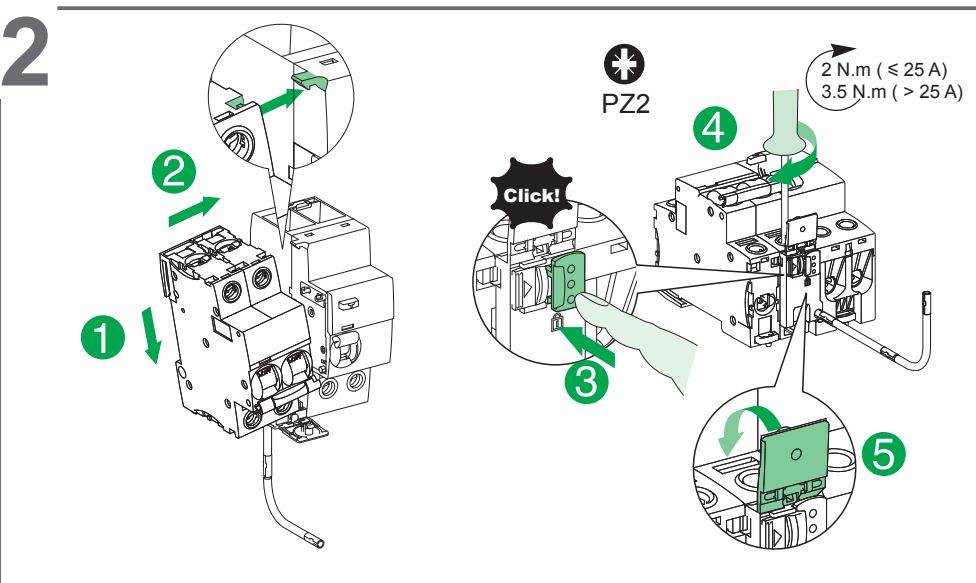
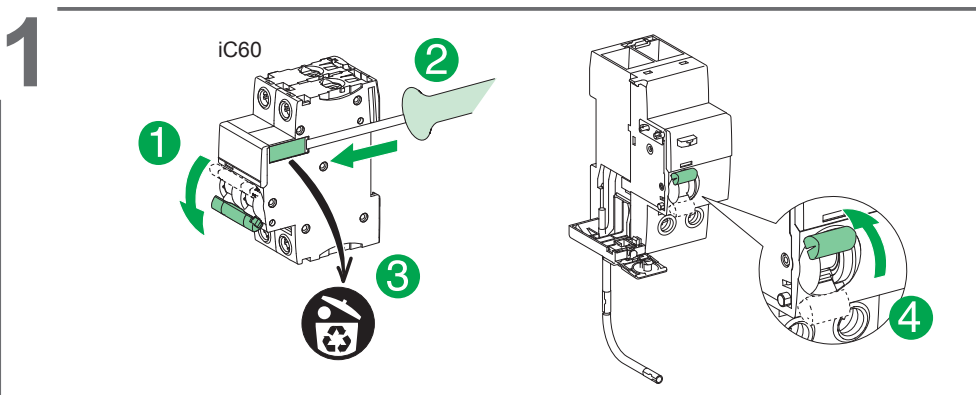
iC60 3P + Vigi iC60 3P+N



iC60 4P + Vigi iC60 3P+N



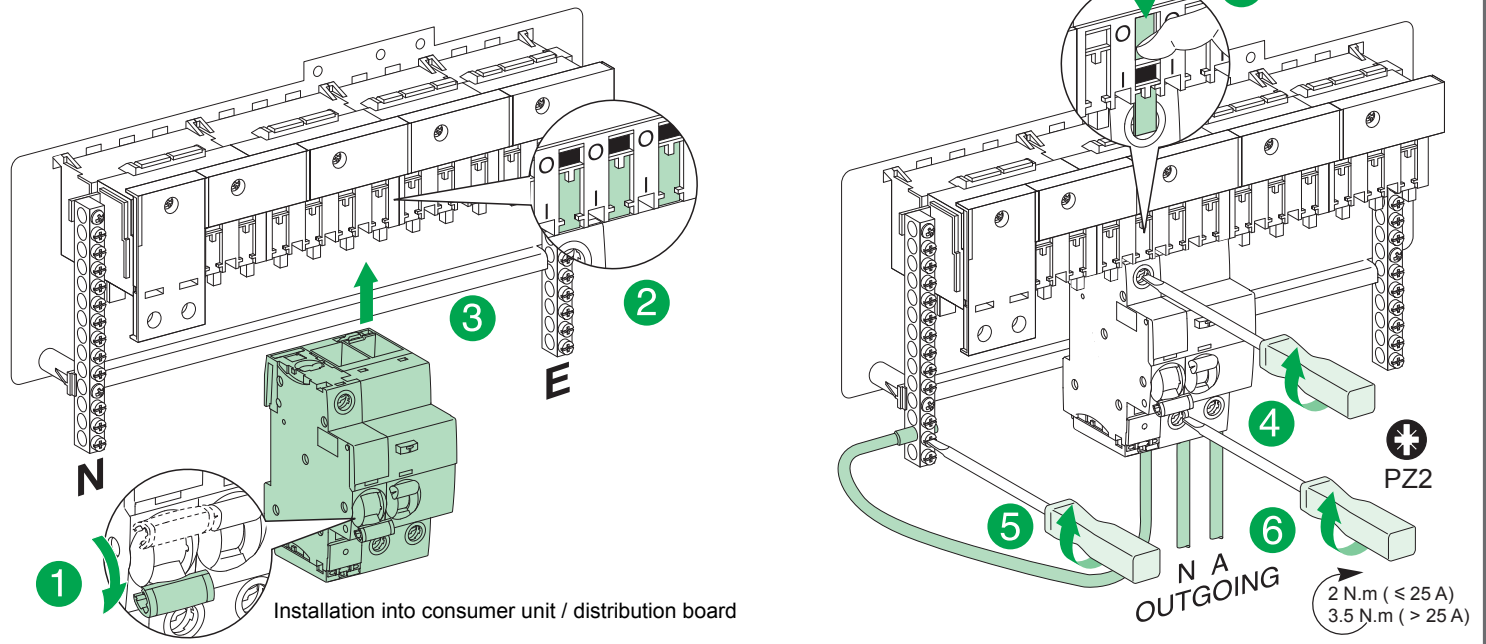
	Vigi iC60 25 A	Vigi iC60 63 A
iC60 ≤ 25 A	■	■
32 A ≤ iC60 ≤ 63 A	NO	■
C60, C120	NO	NO
iC60 LMA ≤ 16 A	■	■
iC60 LMA 25 A	NO	■
iC60 LMA 40 A	NO	■



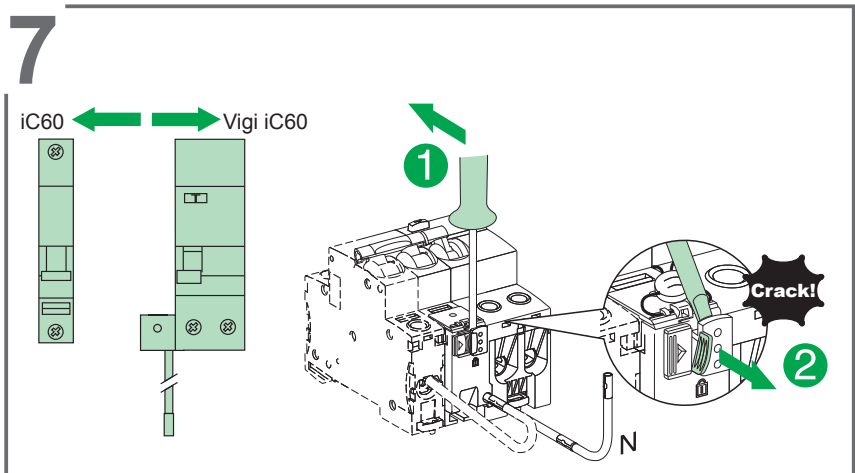
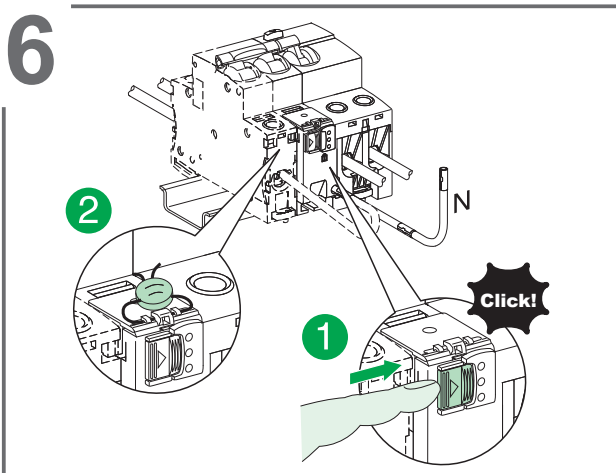
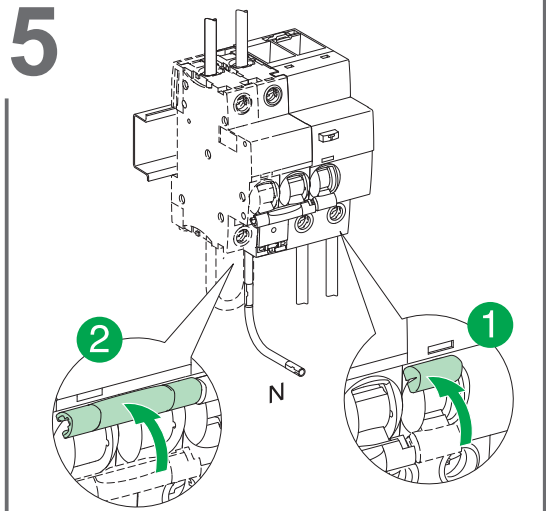
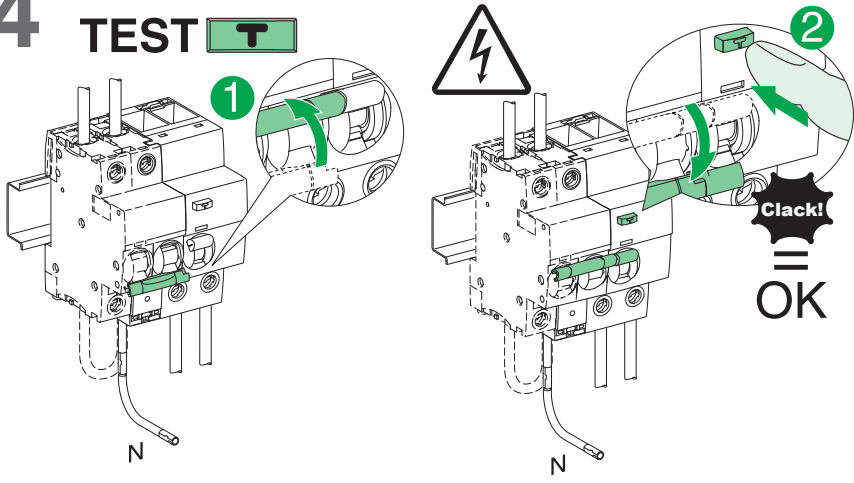
# 3b

**⚡ ⚠ DANGER**  
**HAZARD OF ELECTRIC SHOCK, EXPLOSION, OR ARC FLASH**  
 Disconnect all power before servicing equipment.  
 Failure to follow these instructions will result in death or serious injury.

iC60 1P + Vigi iC60 1P+N  
 iC60 3P + Vigi iC60 3P+N



# 4 TEST



Schneider Electric Industries SAS  
 35, rue Joseph Monier  
 CS 30323  
 F - 92506 Rueil Malmaison Cedex  
 www.schneider-electric.com

**Ce produit doit être installé, raccordé et utilisé en respectant les normes et/ou les règlements d'installation en vigueur.**  
 En raison de l'évolution des normes et du matériel, les caractéristiques et cotes d'encombrement données ne nous engageant qu'après confirmation par nos services.  
**This product must be installed, connected and used in compliance with prevailing standards and/or installation regulations.**  
 As standards, specifications and designs change from time to time, always ask for confirmation of the information given in this publication.



# SCATTERGOOD & JOHNSON LTD

ELECTRICAL ENGINEERING & FLUID CONTROL DISTRIBUTORS

Est.1899

At Scattergood & Johnson Ltd, we pride ourselves on being a technical distributor to specialist industries.

Working with a range of quality product suppliers across a number of specialist markets, we are not your average 'box shifter' - we are your technical and supply chain partner.

We fully support every product we sell - for free! Our internal team and external sales engineers can answer any product or application question, no matter the complexity.

Backing up this technical ability is a range of 50,000+ products available from stock for nationwide next day delivery (same day if required!), or you can collect what you need from any of our trade counters around the UK.

Select your specialist interest below to learn more about how we can help.



Online, In Branch and On the Road - Scattergood & Johnson Ltd, there when you need us.

# [www.scatts.co.uk](http://www.scatts.co.uk)