

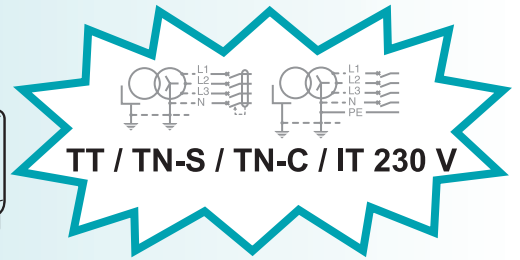
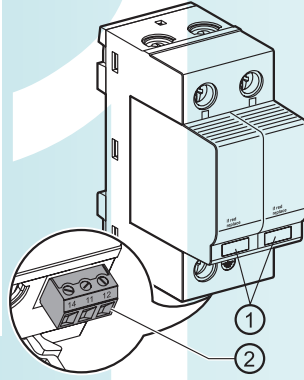
fr en de it es nl da sv pt
no fi ru

PRD (Type 2 / Тип 2)



Schneider
Electric

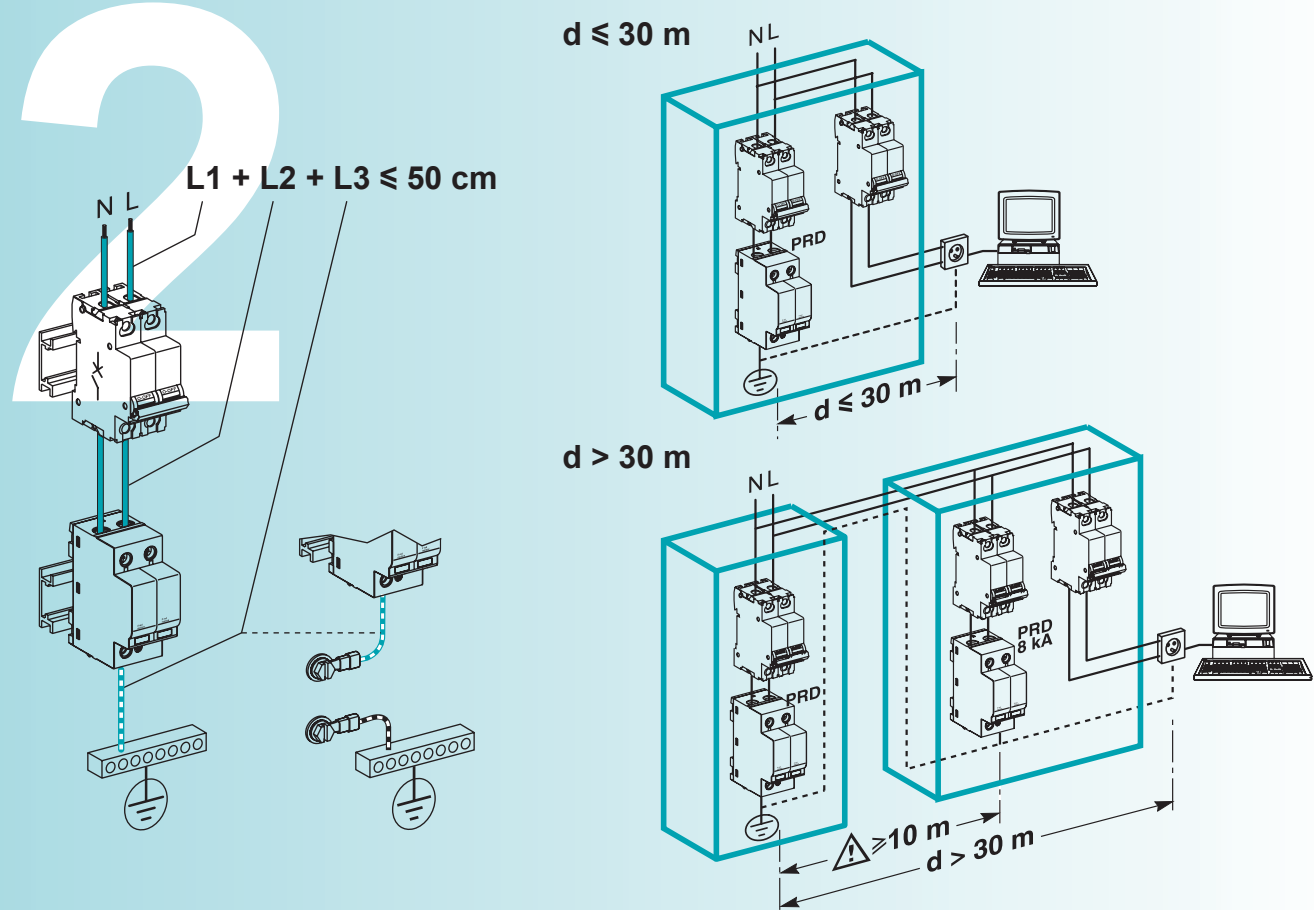
Découvrez / New features / Beschreibung / Scoprite / Descubra / Beschrijving / Fakta / Beskrivning / Descubra / Beskrivelse / Uudet ominaisuudet / Новинка



16555, 16558, 16563, 16573, 16578, 16597, 16599, 16670, 16671, 16675, 16676, 16678 } TT + IT 230 V
TN-S + IT 400 V
TN-C

	①	②
fr	Indicateur de l'état du parafoudre	Contact de signalisation à distance PRD65r/40r/20r/8r
en	Surge arrester status indicator	Remote indication contact PRD65r/40r/20r/8r
de	Zustandsanzeiger des Blitzableiters	Tele-Meldekontakt PRD65r/40r/20r/8r
it	Indicatore dello stato del parafulmine	Contatto di segnalazione a distanza PRD65r/40r/20r/8r
es	Indicador del estado del limitador de sobretensión	Contacto de señalización a distancia PRD65r/40r/20r/8r
nl	Statusindicator van de overspanningsbeveiliging	Afstandssignaleringscontact PRD65r/40r/20r/8r
da	Indikator for lynafleders tilstand	Signalkontakt på afstand PRD65r/40r/20r/8r
sv	Indikator för åskledarens status	Kontakt för fjärrsignalering PRD65r/40r/20r/8r
pt	Indicador do estado do pára-raios	Contacto de sinalização à distância PRD65r/40r/20r/8r
no	Indikator for overspenningsavlederens status	Fjernsignaleringskontakt PRD65r/40r/20r/8r
fi	Ylijännitesuojan tilan osoitin	Kaukokerkinannon kosketin PRD65r/40r/20r/8r
ru	Индикатор состояния разрядника	Дистанционное управление сигнализацией PRD65r/40r/20r/8r

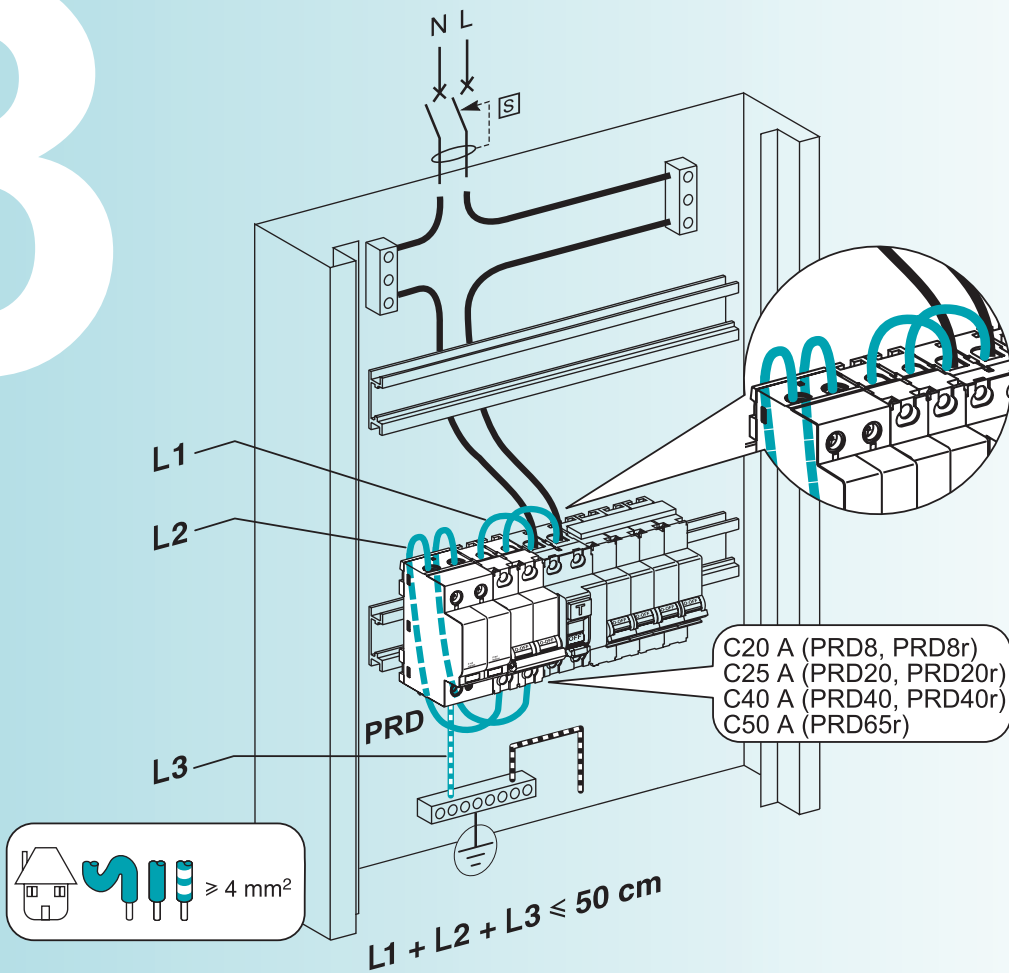
Câblez / Cable / Verdrahtung / Installate i cavi / Haga las conexiones / Bedraden / Tílslutning / Kabling / Faça a ligação / Tilkople / Каарелoi / Соединения



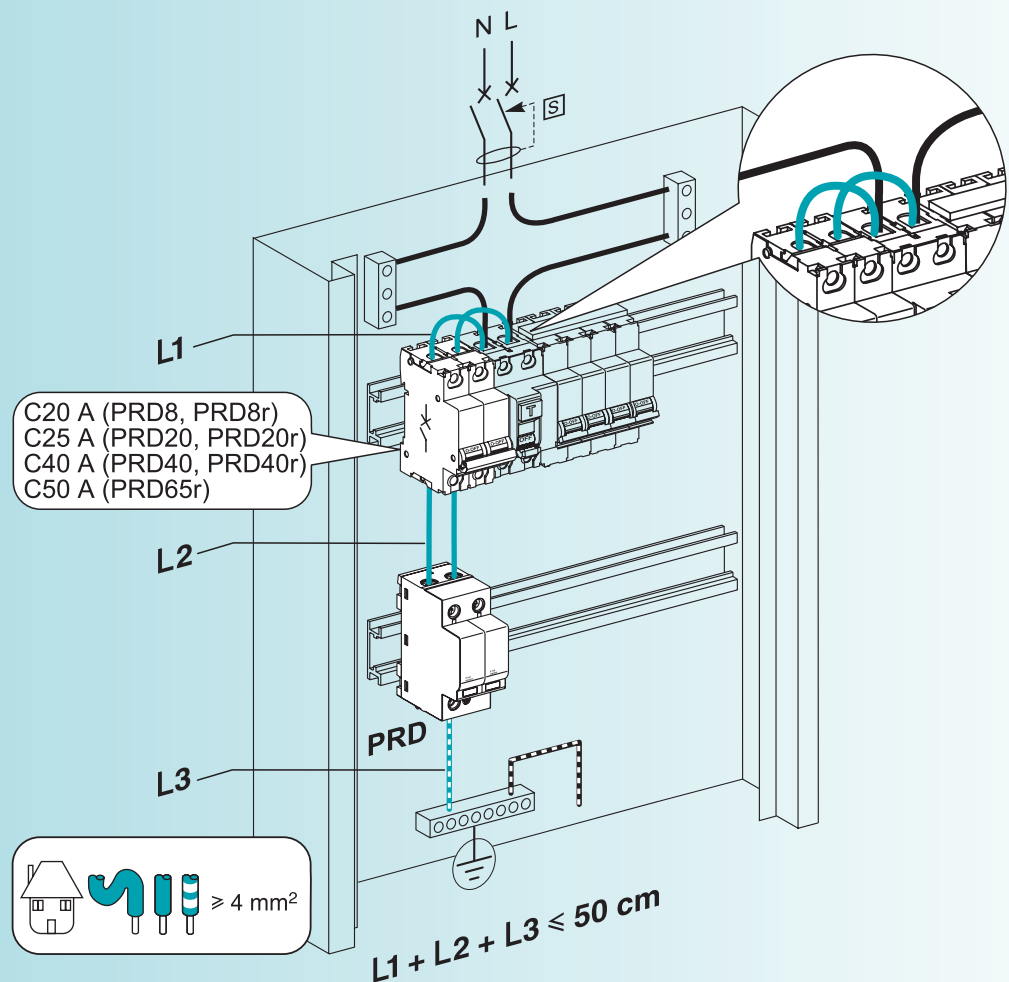
Exemples / Examples / Beispiele / Esempi / Ejemplos / Voorbeelden / Eksempler / Exempel / Exemplos / Eksempler / Esimerkkejä / Примеры

3

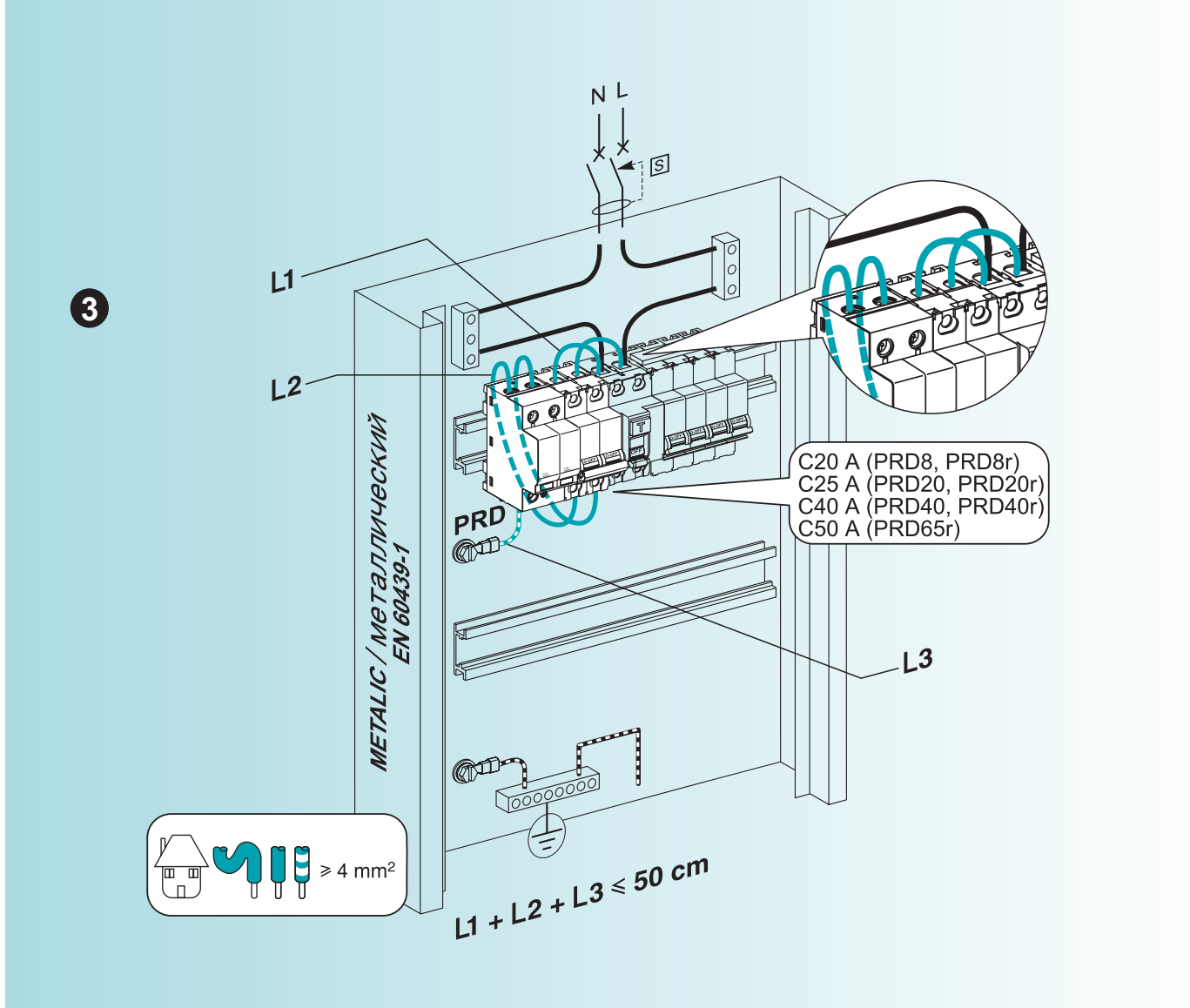
1



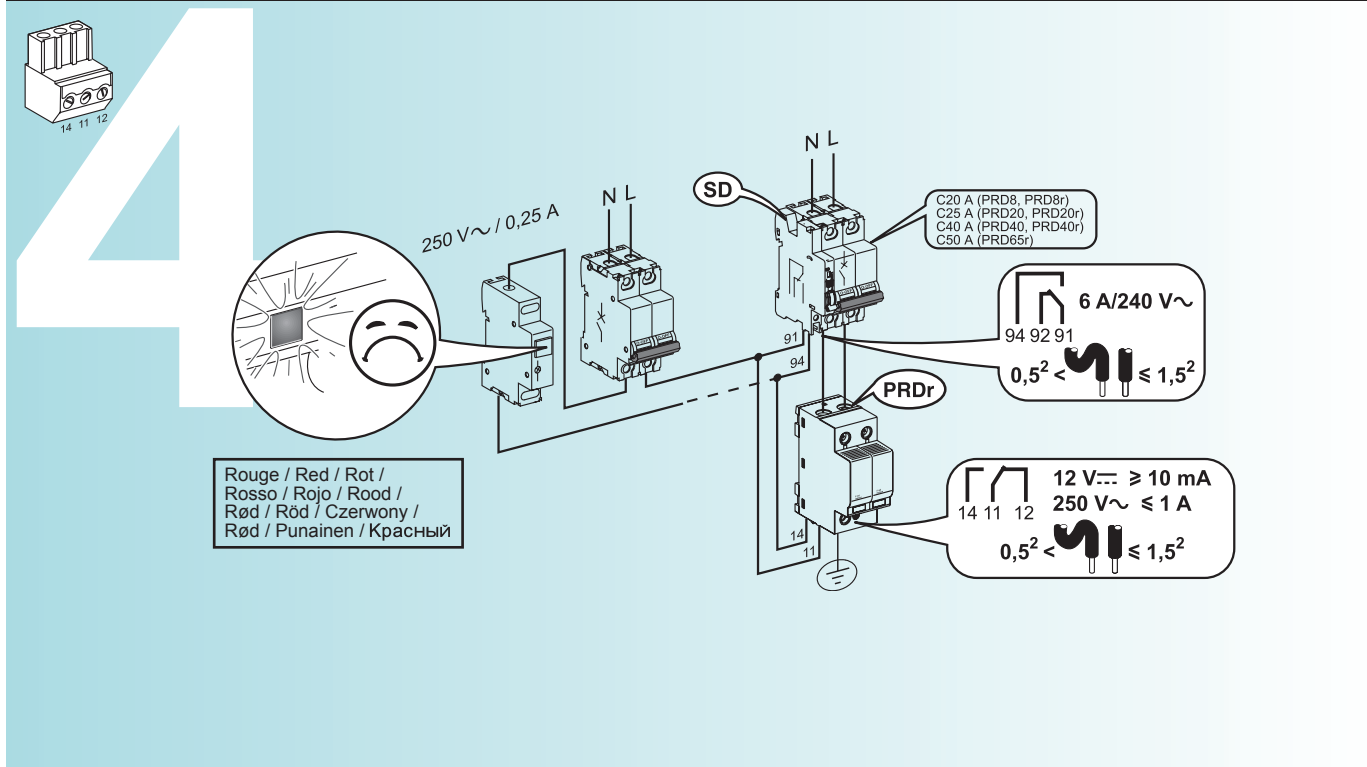
2



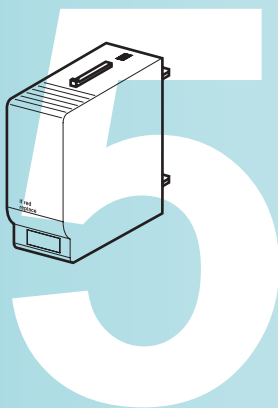
Exemples / Examples / Beispiele / Esempi / Ejemplos / Voorbeelden / Eksempler /
 Exempel / Exemplos / Eksempler / Esimerkkejä / Примеры



Câblez / Cable / Verdrahtung / Installate i cavi / Haga las conexiones / Bedraden /
 Tilslutning / Kabling / Faça a ligação / Tilkople / Kaarpei / Соединения



**Vérifiez / Verify / Überprüfung / Verificate / Verifique / Controleren / Efterses /
Kontrollera / Verifique / Sjekk / Tarkista / Проверка**



Blanc / White / Weiss / Bianco / Blanco / Wit / Hvid / Vit / Bialy / Hvit / Valkoinen / Белый

Rouge / Red / Rot / Rosso / Rojo / Rood / Rød / Röd / Czerwony / Rød / Punainen / Красный

16xxx

-25 °C...+60 °C

EN 61643-11 type 2 / тип 2
IEC 61643-1 class 2 test / тест класса 2

Schneider Electric Industries SAS
35, rue Joseph Monier
CS 30323
F - 92506 Rueil-Malmaison Cedex
RCS Nanterre 954 503 439
Share capital 896 313 776 €
www.schneider-electric.com

Ce produit doit être installé, raccordé et utilisé en respectant les normes et/ou les règlements d'installation en vigueur.
En raison de l'évolution des normes et du matériel, les caractéristiques et cotes d'encombrement données ne nous engagent qu'après confirmation par nos services.
This product must be installed, connected and used in compliance with prevailing standards and/or installation regulations.
As standards, specifications and designs develop from time to time, always ask for confirmation of the information given in this publication.
Данное изделие должно устанавливаться, подключаться и использоваться с соблюдением действующих стандартов и/или нормативных требований по установке.
Ввиду постоянного совершенствования нормативных требований и оборудования, указанные технические характеристики и размеры не являются неизменными, и их следует уточнить в нашей компании.
© 01-2011 Schneider Electric - All rights reserved.



SCATTERGOOD & JOHNSON LTD

ELECTRICAL ENGINEERING & FLUID CONTROL DISTRIBUTORS

Est.1899

At Scattergood & Johnson Ltd, we pride ourselves on being a technical distributor to specialist industries.

Working with a range of quality product suppliers across a number of specialist markets, we are not your average 'box shifter' - we are your technical and supply chain partner.

We fully support every product we sell - for free! Our internal team and external sales engineers can answer any product or application question, no matter the complexity.

Backing up this technical ability is a range of 50,000+ products available from stock for nationwide next day delivery (same day if required!), or you can collect what you need from any of our trade counters around the UK.

Select your specialist interest below to learn more about how we can help.



Online, In Branch and On the Road - Scattergood & Johnson Ltd, there when you need us.

www.scatts.co.uk