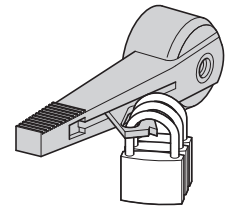


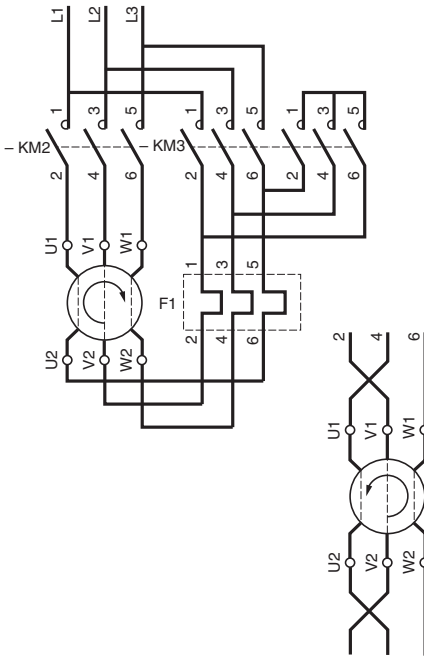
3 ~ 50/60 Hz $\theta \leq 55^{\circ}\text{C}$ (131°F)

| | 220/380 V | | 380/660 V | | 415/720 V | | 440/762 V | | LR2D●●● | aM (A) |
|----|-----------|-------|-----------|-------|-----------|-------|-----------|-------|---------|-------------------|
| | kW | HP/Ch | kW | HP/Ch | kW | HP/Ch | kW | HP/Ch | | |
| 09 | 4 | 5,5 | 7,5 | 10 | 7,5 | 10 | 7,5 | 10 | 1314 | 10x38 { 20 25 |
| 12 | 5,5 | 7,5 | 11 | 15 | 11 | 15 | 11 | 15 | 1316 | |
| 18 | 11 | 15 | 18,5 | 25 | 22 | 30 | 22 | 30 | 1322 | 14x51 { 40 63 |
| 32 | 15 | 20 | 25 | 35 | 30 | 40 | 30 | 40 | 2355 | |
| 40 | 18,5 | 25 | 37 | 50 | 37 | 50 | 37 | 50 | 3357 | 22x58 { 80 125 |
| 50 | 30 | 40 | 55 | 75 | 59 | 80 | 59 | 80 | 3361 | |
| 80 | 37 | 50 | 75 | 100 | 75 | 100 | 75 | 100 | 3363 | 0 { 160 |

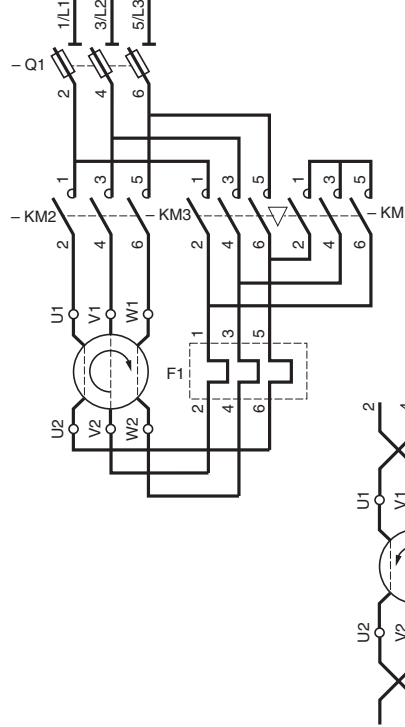
LE3 D096...D506



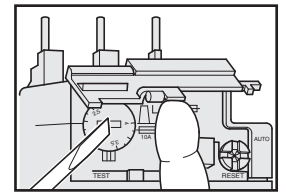
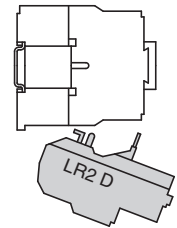
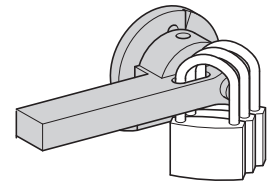
LE3 D095...D805 / LC3 D40...D80



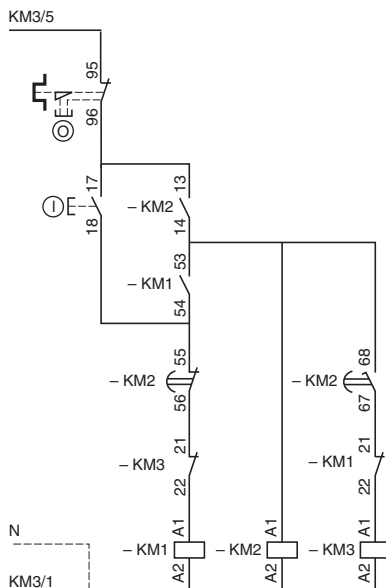
LE3 D096...D806



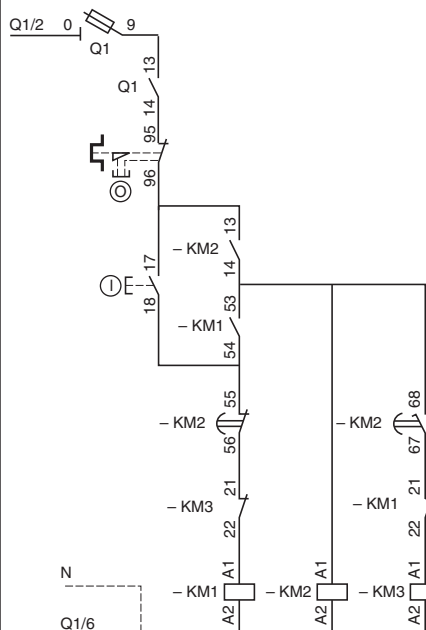
LE3 D806



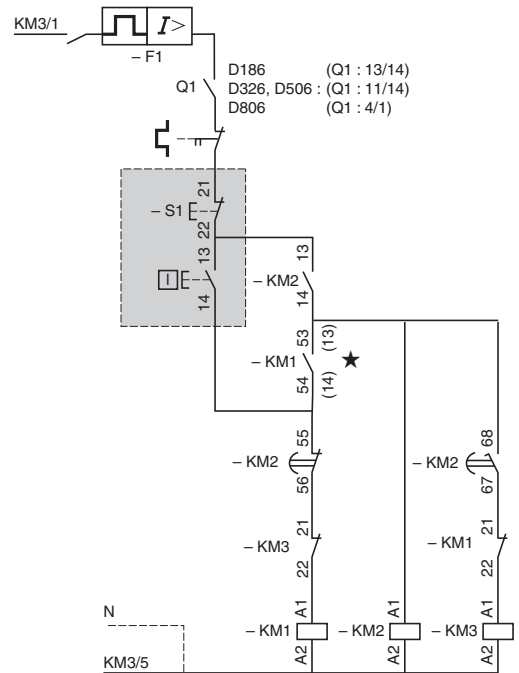
LE3 D095...D805 / LC3 D40...D80



LE3 D096...D126

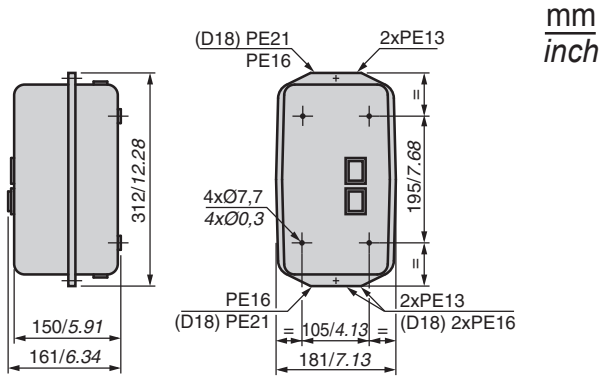


LE3 D186...D806

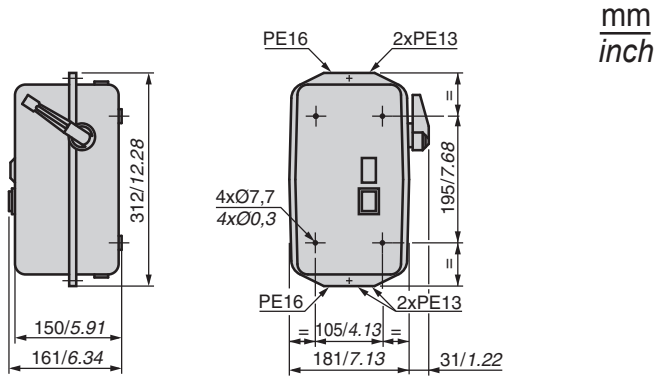


★ LE3 D50...D80

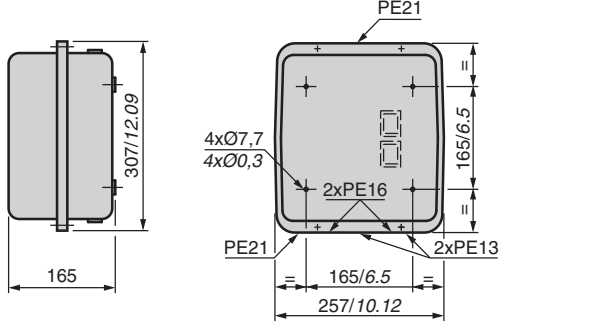
LE3 D095/D125/D185



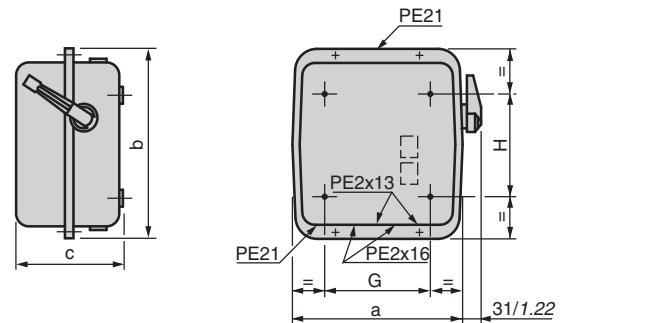
LE3 D096/D126



LE3 D405/D505

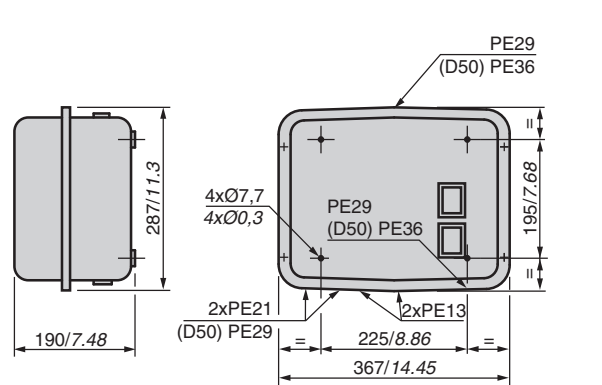


LE3 D186/D326

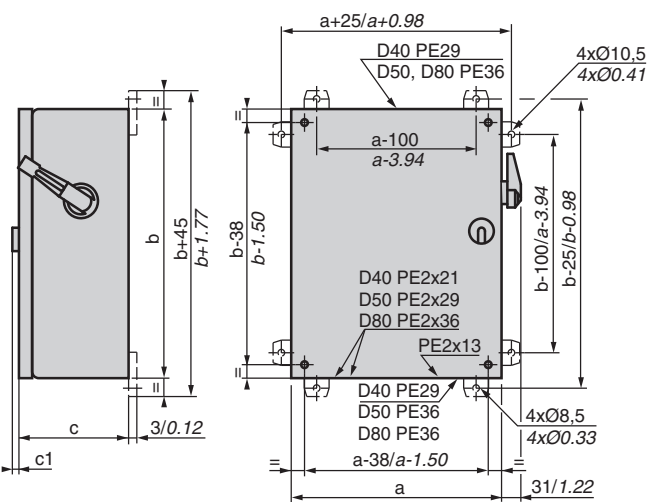


| LE3 | a | b | c | G | H |
|-----|-----------|-----------|-----------|----------|----------|
| D18 | 257/10.12 | 307/10.12 | 165/12.09 | 165/6.5 | 165/6.5 |
| D32 | 287/11.30 | 367/14.45 | 190/7.48 | 195/7.68 | 225/8.86 |

LE3 D805

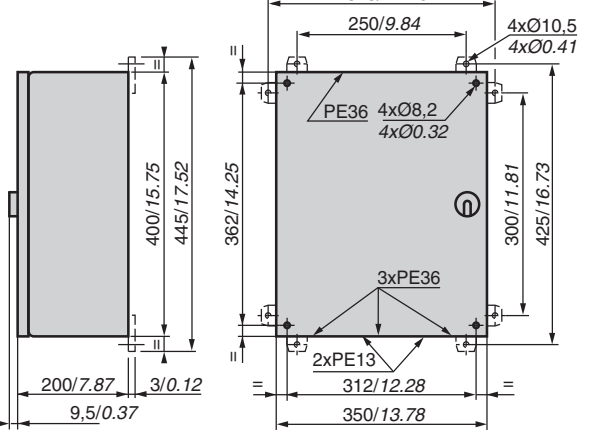


LE3 D406/D506/D806

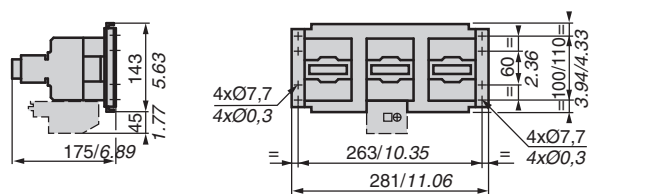


| LE3 | a | b | c | c1 |
|----------|-----------|-----------|----------|----------|
| D40, D50 | 400/15.75 | 500/19.69 | 200/7.87 | 9.5/0.37 |
| D80 | 500/19.69 | 700/27.56 | 250/9.84 | 6.3/0.25 |

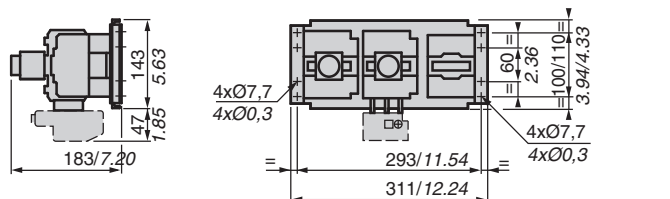
LE3 D325



LC3 D40/D50



LC3 D80





SCATTERGOOD & JOHNSON LTD

ELECTRICAL ENGINEERING & FLUID CONTROL DISTRIBUTORS

Est.1899

At Scattergood & Johnson Ltd, we pride ourselves on being a technical distributor to specialist industries.

Working with a range of quality product suppliers across a number of specialist markets, we are not your average 'box shifter' - we are your technical and supply chain partner.

We fully support every product we sell - for free! Our internal team and external sales engineers can answer any product or application question, no matter the complexity.

Backing up this technical ability is a range of 50,000+ products available from stock for nationwide next day delivery (same day if required!), or you can collect what you need from any of our trade counters around the UK.

Select your specialist interest below to learn more about how we can help.



Online, In Branch and On the Road - Scattergood & Johnson Ltd, there when you need us.

www.scatts.co.uk