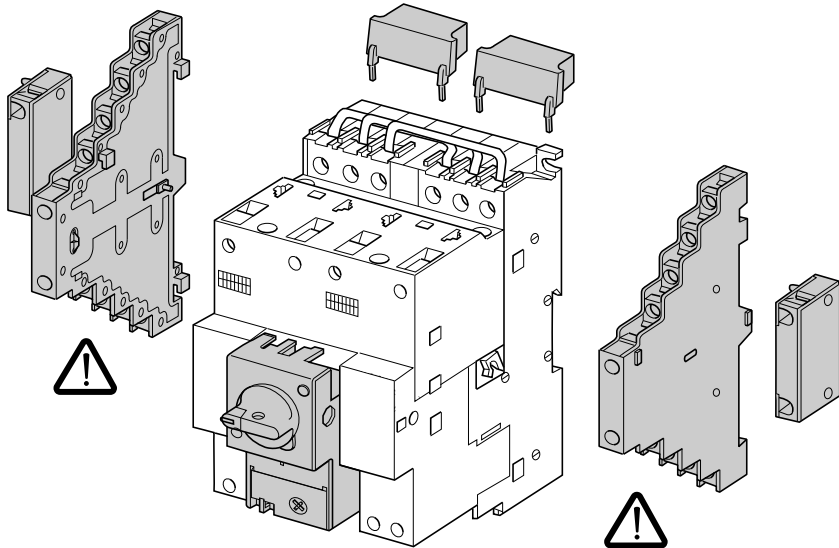
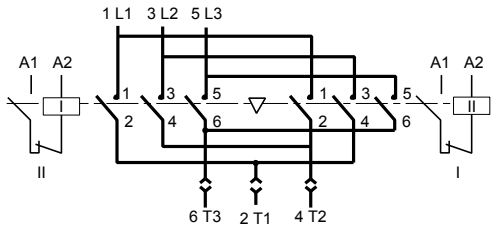


# Telemecanique integral 18

## LD5-LB LA1/LA9



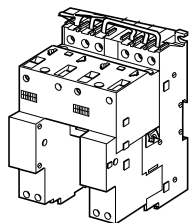
The lateral add-on blocks are mounted before the module  
 Monter les additifs latéraux avant le module  
 Die seitlichen Zusatzteile vor dem Modul einbauen  
 Montar los aditivos laterales antes del módulo  
 Montare gli additivi laterali prima del modulo  
 Montar os aditivos laterais antes do módulo

W9 0387522 01 31 A08

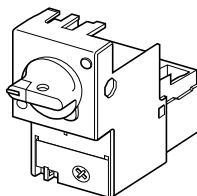
**Schneider**  
 Electric

# integral 18

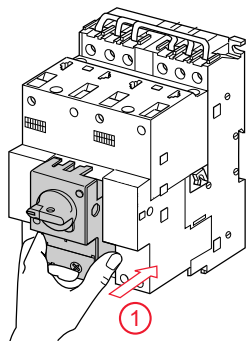
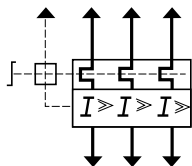
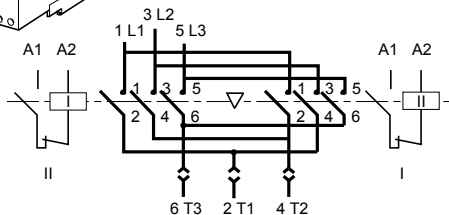
# LD5-LB LA1/LA9



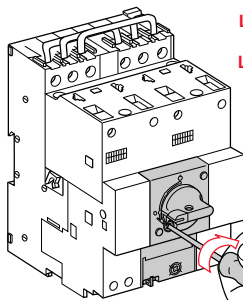
**LD5-LB130**



**LB1 - LB03P**



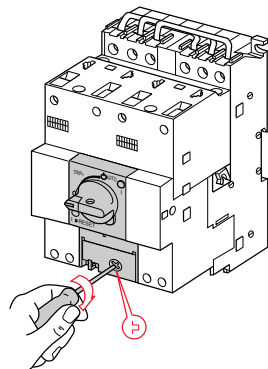
①



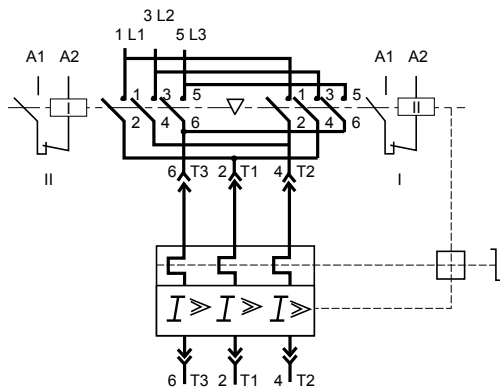
**LD5-LB130 + LB1-LB03P**

②

**C = 1,1 N.m  
C = 10 lb.in**



③



**IMPORTANT**

Il convient de vérifier à la mise en service et périodiquement, au moins une fois par an, le déclenchement de l'appareil.

**IMPORTANT**

Once a year at least, we advise during installation and periodically during service, to trip test the unit.

**WICHTIG**

Es empfiehlt sich, die inbetriebnahme und das Auslösen in regelmäßigen Abständen mindestens einmal pro Jahr zu überprüfen

**IMPORTANTE**

Es importante comprobar al arranque y de vez en cuando al menos una vez por año, el lanzamiento del aparato.

**IMPORTANTE**

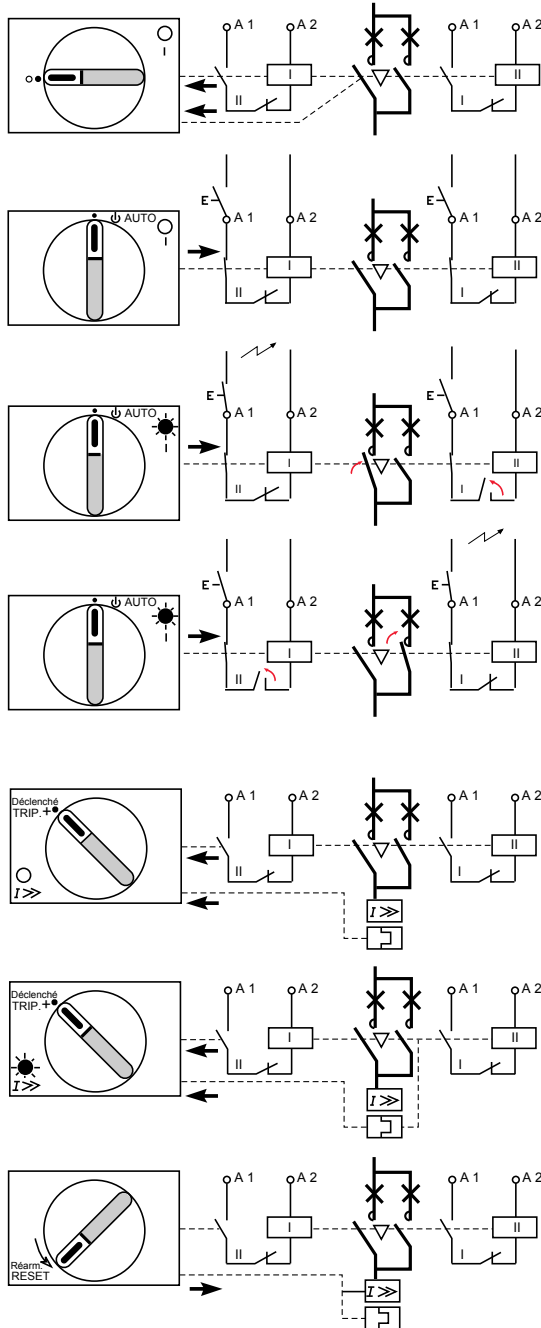
Conviene verificare, all'atto della messa in servizio e periodicamente almeno una volta all'anno, l'innesto dell'apparechio

**IMPORTANTE**

Convém verificar, ao colocar em serviço e periodicamente pelo menos uma vez por ano, o disparo do aparelho

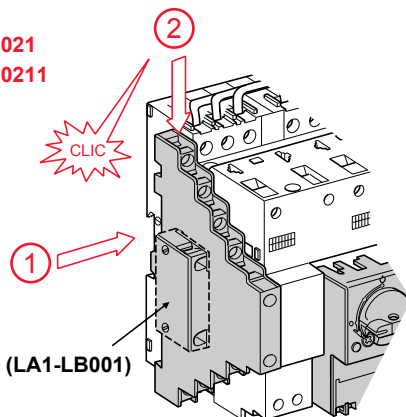
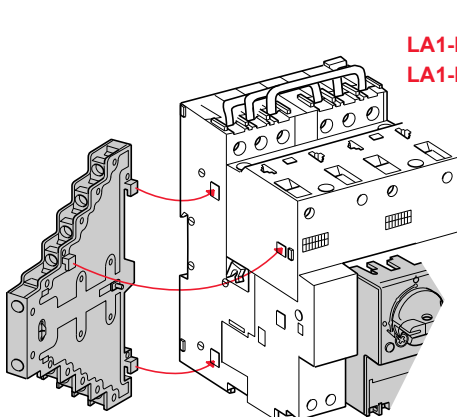
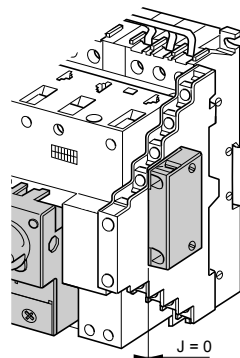
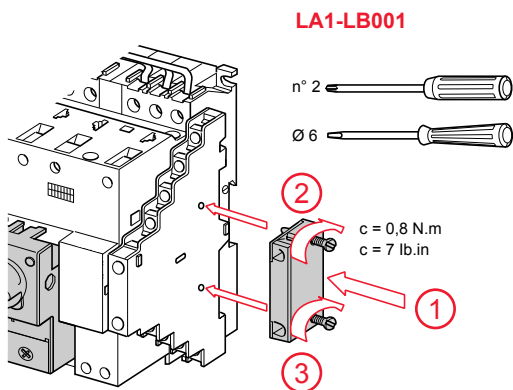
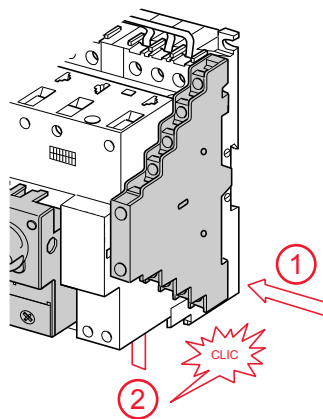
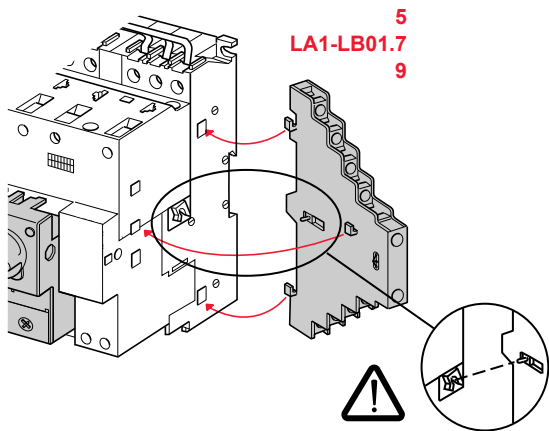
# integral 18

# LD5-LB LA1/LA9



# integral 18

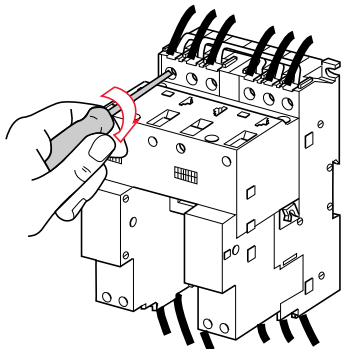
# LD5-LB LA1/LA9



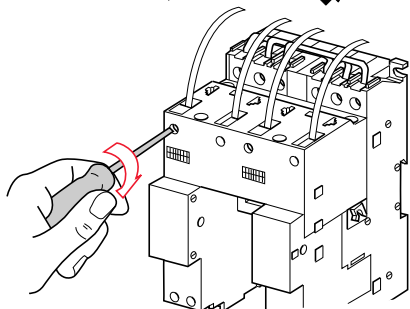


# integral 18

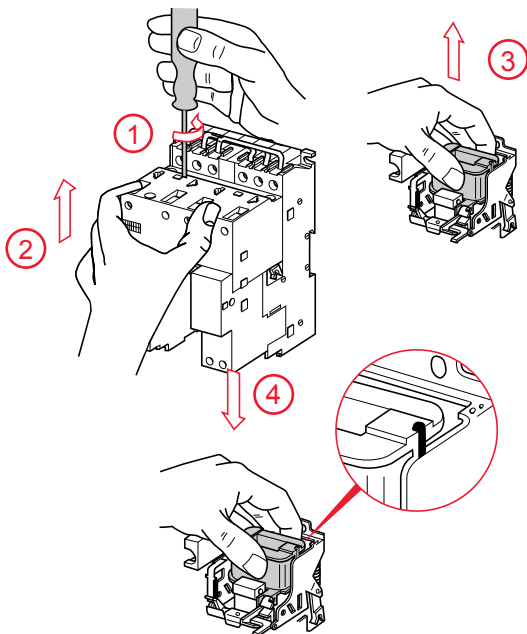
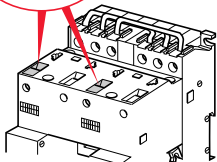
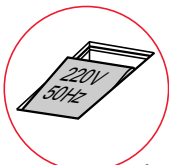
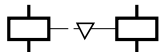
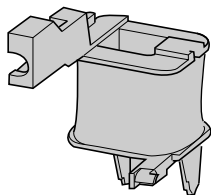
# LD5-LB LA1/LA9



[mm <sup>2</sup> ]	[mm <sup>2</sup> ]	[mm <sup>2</sup> ]	[mm <sup>2</sup> ]	[mm <sup>2</sup> ]	[mm <sup>2</sup> ]			C N.m	C lb.in
1...6	1...4 + 1...4	1.5...6	1.5...6 + 1.5...6	1.5...6	1.5...6 + 1.5...6	Ø 6	Philips	1,7	15
1...2.5 + LA1-LB	1...2.5 + 1...2.5	1...2.5	1...2.5 + 1...2.5	1...2.5	1...2.5 + 1...2.5	Ø 6	Philips	1,2	10

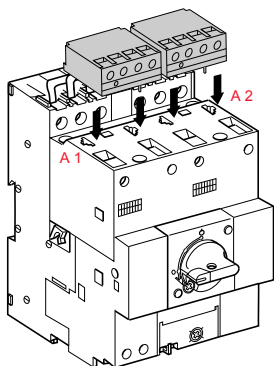


**LX1**



# integral 18

# LD5-LB LA1/LA9

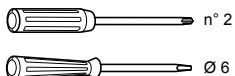
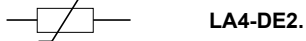
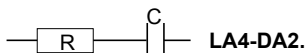
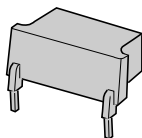


**LA4 DF. / LA4 DW. - LA4 DL  
LA4 DM.  
LA4 DR. / LA4 DT.**

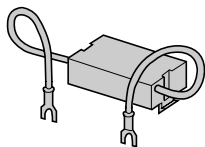
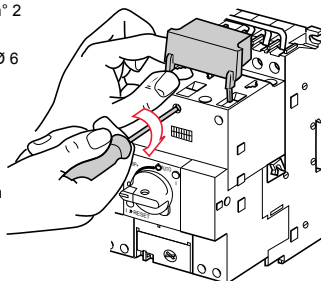
Modules d'interface  
INTERFACE MODULES  
INTERFACE-MODULE  
MÓDULOS DE INTERFACE  
MODULO DE INTERFACCIA  
MÓDULOS DE INTERFACE

Modules "AUTO-MAN" "I" "O"  
"AUTO-MAN" "I" "O" INPUT MODULE  
SCHALTMODUL "HAND-AUS" "I" "O"  
MÓDULOS "AUTO-MAN" "I" "O"  
MODULO "AUTO-MAN" "I" "O"  
MÓDULOS "AUTO-MAN" "I" "O"

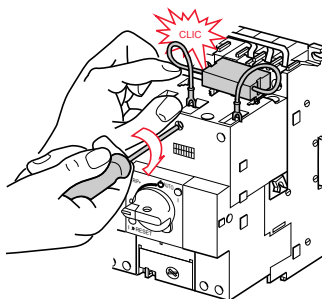
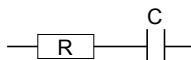
Retard à l'excitation ou à la désexcitation bobine  
DELAY ON COIL ENERGISATION OR DENERGISATION  
VERZÖGERUNGSBLÖCKE ANSPRECH, RÜCKFALLVER ZÖGERT  
RITARDO ALL'ECCITAZIONE O ALLA DISECCITAZIONE BOBINA  
RETRASO A LA CONEXION O A LA DESCONEXION DE LA BOBINA  
ASTRASO NA EXCITAÇÃO OU DESEXCITAÇÃO DA BOBINA



c = 1,2 N.m  
c = 10 lb.in

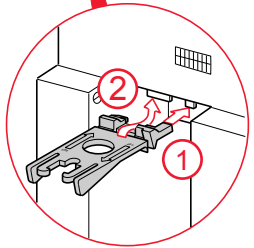
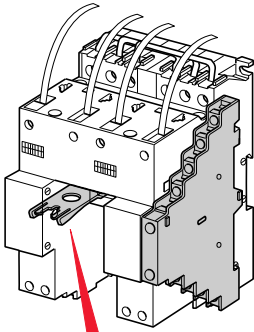


**LA9-D09982**

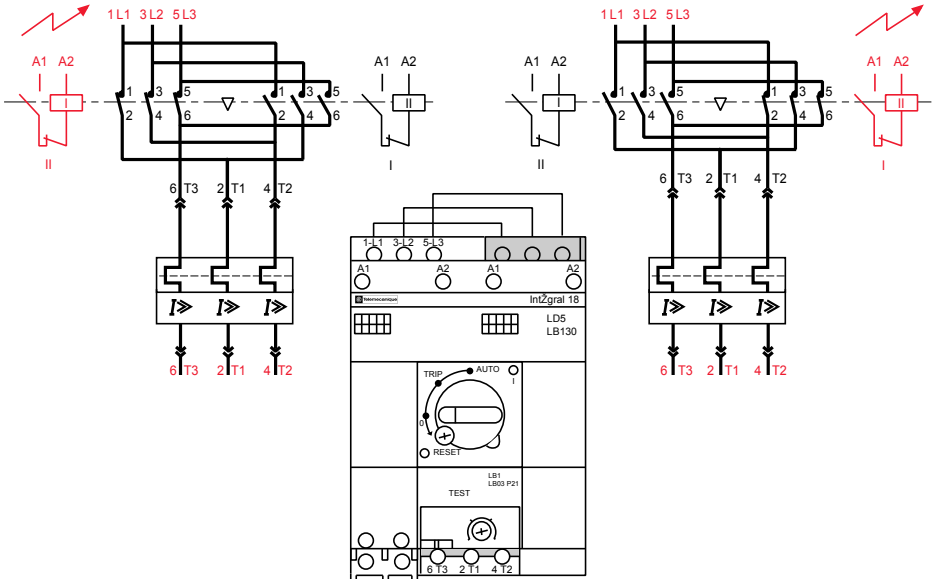
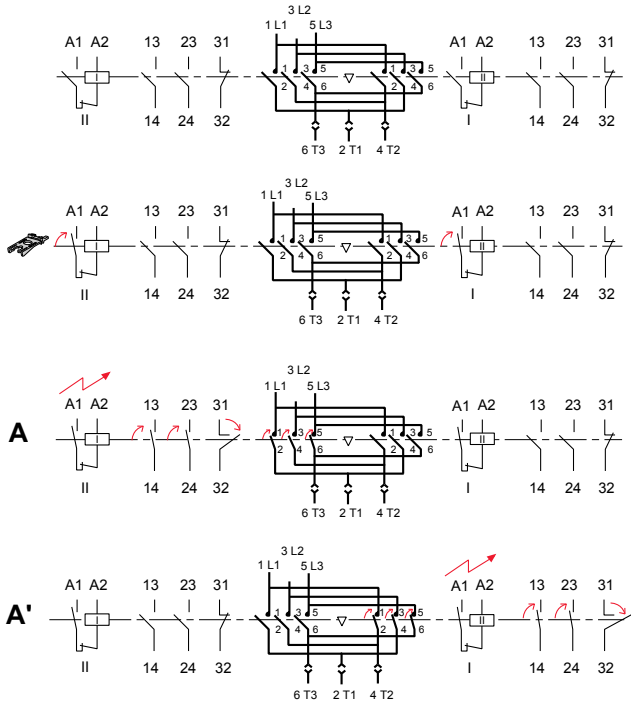


# integral 18

# LD5-LB LA1/LA9



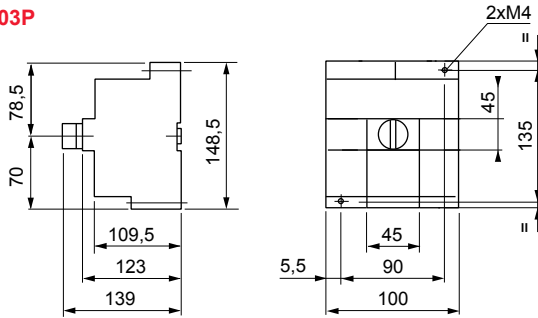
**LA9-LB398**



# integral 18

# LD5-LB LA1/LA9

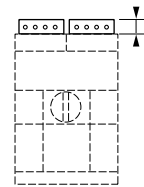
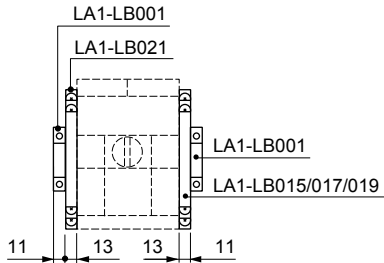
**LD5-LB130 + LB-LB03P**



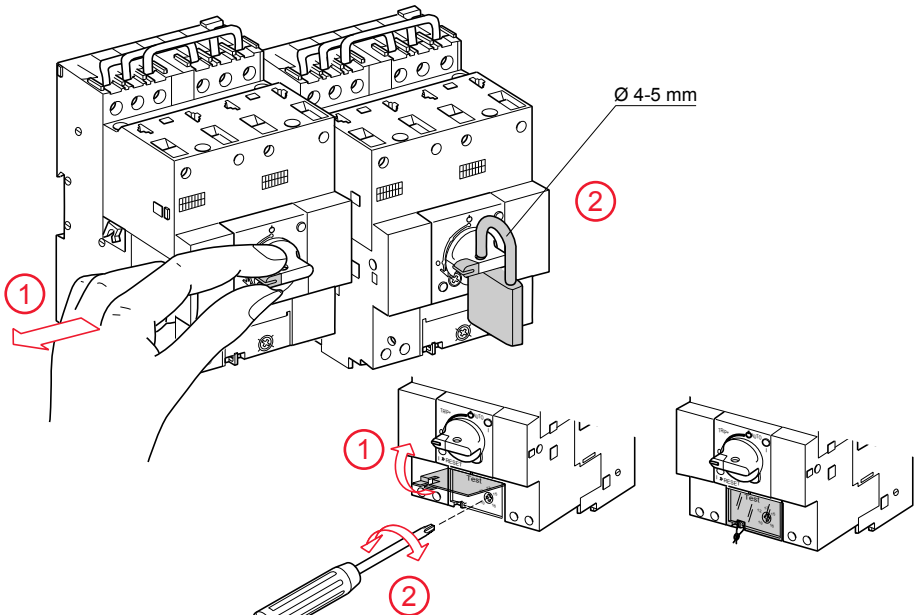
**LA1-LB●●●**  
**LA4-D●●**

**LA1-LB015/017/019**  
**LA1-LB021, LA1-LB001**

**LA4-D..**



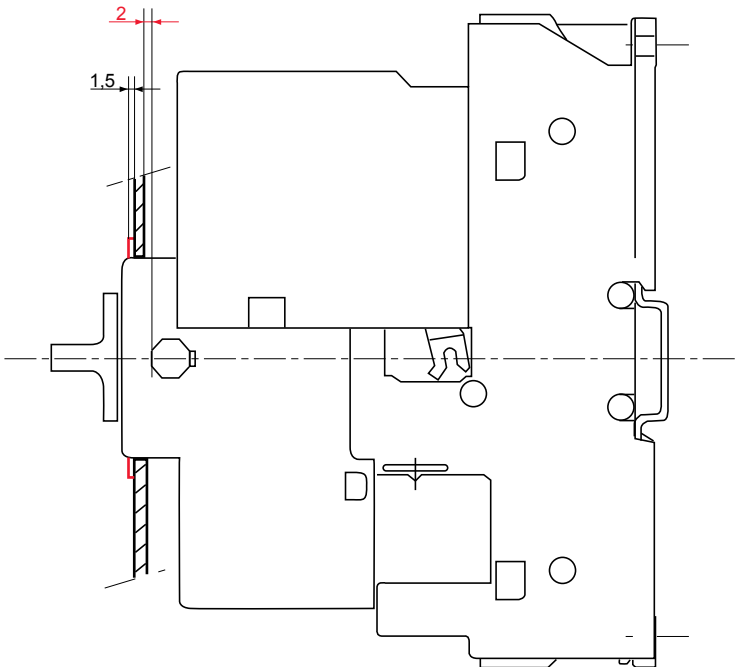
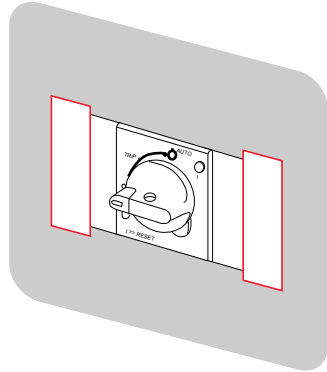
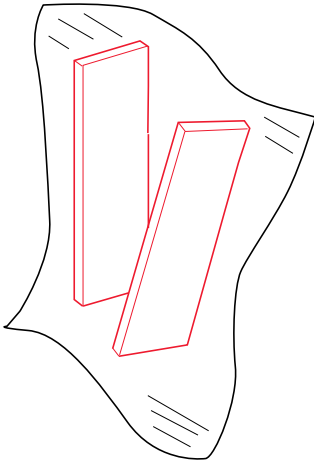
LA 4..	
12	DF DT
19	DR DL DM DW



# integral 18

# LD5-LB LA1/LA9

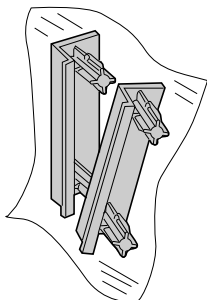
GA1 C6



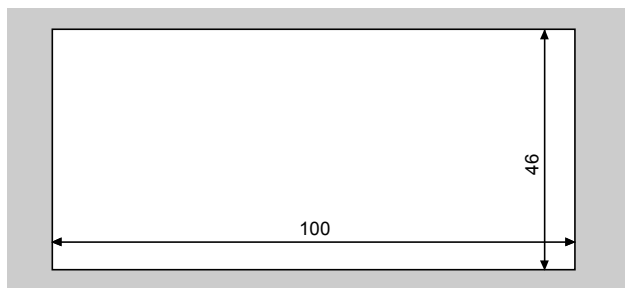
## integral 18

## LD5-LB LA1/LA9

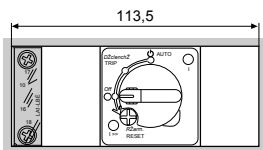
## LA9 LB 910



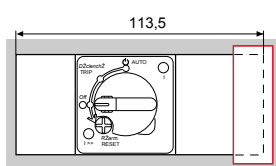
## LD5



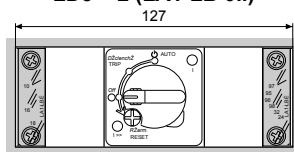
## LD5 + 1 (LA1-LB 0..)



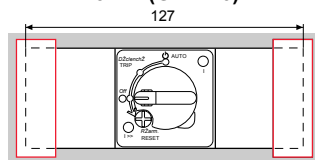
## LD5 + 1 (GA1 C6)



## LD5 + 2 (LA1-LB 0..)



## LD5 + 2 (GA1 C6)

**Avertissement**

Pour assurer les protections de surcharge, de court-circuit et de défaut de terre, suivre les instructions du fabricant concernant la sélection des protections de surcharge et de court-circuit afin de réduire les risques de feu et de choc électrique.

**WARNING**

TO MAINTAIN OVERCURRENT, SHORT-CIRCUIT AND GROUND-FAULT PROTECTION, THE MANUFACTURER'S INSTRUCTIONS FOR SELECTION OF OVERLOAD AND SHORT-CIRCUIT PROTECTION MUST BE FOLLOWED TO REDUCE THE RISK OF FIRE OR ELECTRIC SHOCK.

**WARNING:**

UM DIE SCHUTZFUNKTIONEN BEI ÜBERLAST, KURZSCHLUSS UND ERDSCHLUSS ZU GEWÄHRLEISTEN SIND DIE ANGABEN DES HERSTELLERS ZUR AUSWAHL DER ÜBERLAST-UND KURZSCHLUSSSCHUTZES ZUR VERMEIDUNG VON FEUER UND ELEKTRISCHEN SCHLÄGEN ZU BEFOLGEN.

**(AVISO)**

(PARA DISPONER DE LA PROTECCIÓN CONTRA SOBRECARGAS, CORTOCIRCUITO Y DEFECTO A TIERRA DEBEN SERGUIRSE LAS INSTRUCCIONES DE SELECCIÓN DE PROTECCIONES INDICADAS POR EL FABRICANTE, REDUCIENDO ASÍ, EL RIESGO DE DESCARGA ELÉCTRICA O INCENDIO)

**ATTENZIONE**

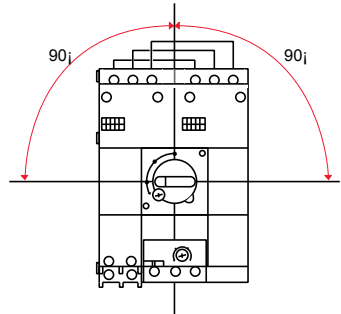
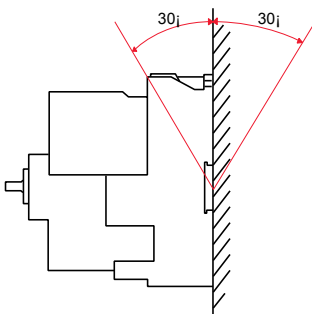
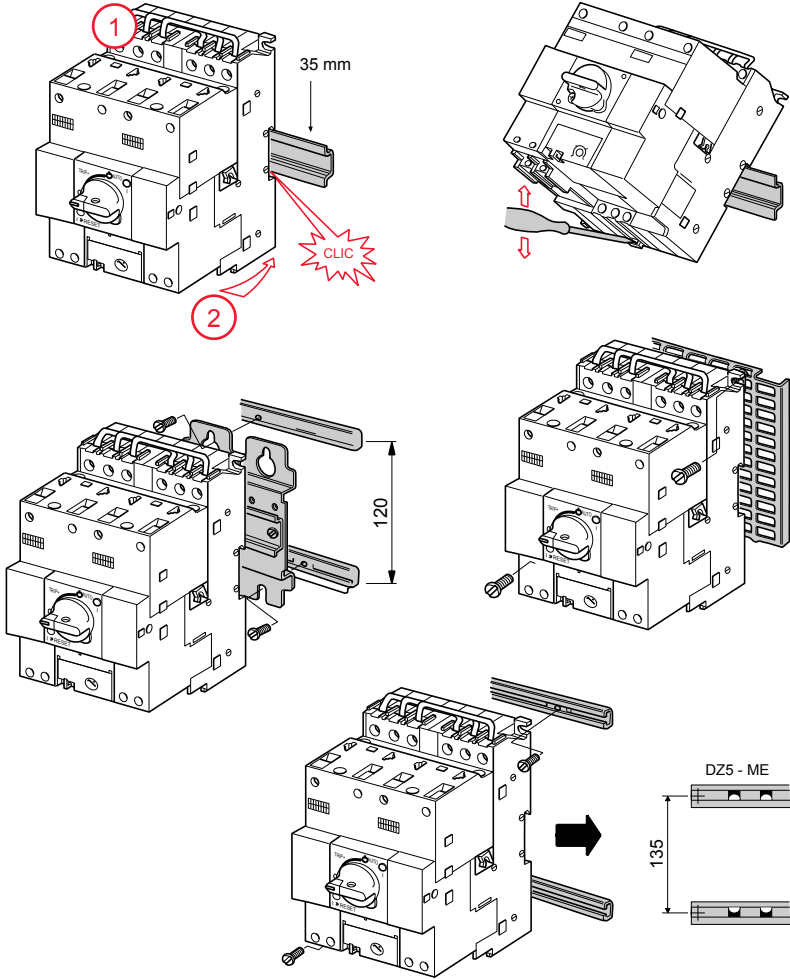
PER RIDURRE IL RISCHIO DI INCENDIO O DI SHOCK ELETTRICO ATTENERSI ALLE ISTRUZIONI DEL COSTRUTTORE RIGUARDANTI LA PROTEZIONE CONTRO LE SOVRACORRENTI, IL CORTO CIRCUITO ED I GUASTI VERSO TERRA.

**ATENÇÃO**

PARA ASSEGURAR AS PROTECÇÕES CONTRA SOBRECARGAS, CURTO-CIRCUITOS E DEFEITO À TERRA É NECESSÁRIO SEGUIR AS INSTRUÇÕES DO FABRICANTE, RELATIVAS À SELECÇÃO DAS PROTECÇÕES CONTRA SOBRECARGAS E CURTO-CIRCUITOS, DE MANEIRA A REDUZIR OS RISCOS DE INCÊNDIO E DE CHOQUES ELÉTRICOS.

# integral 18

# LD5-LB LA1/LA9





# SCATTERGOOD & JOHNSON LTD

ELECTRICAL ENGINEERING & FLUID CONTROL DISTRIBUTORS

Est.1899

At Scattergood & Johnson Ltd, we pride ourselves on being a technical distributor to specialist industries.

Working with a range of quality product suppliers across a number of specialist markets, we are not your average 'box shifter' - we are your technical and supply chain partner.

We fully support every product we sell - for free! Our internal team and external sales engineers can answer any product or application question, no matter the complexity.

Backing up this technical ability is a range of 50,000+ products available from stock for nationwide next day delivery (same day if required!), or you can collect what you need from any of our trade counters around the UK.

Select your specialist interest below to learn more about how we can help.



Online, In Branch and On the Road - Scattergood & Johnson Ltd, there when you need us.

# [www.scatts.co.uk](http://www.scatts.co.uk)