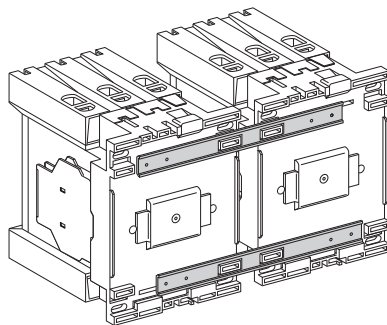
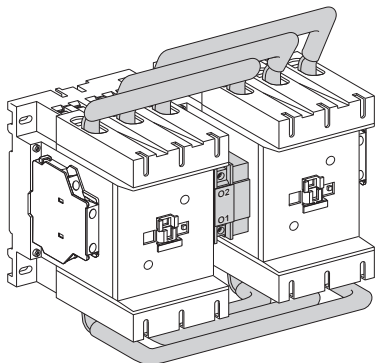


LA9-D11502 LA9-D11569 / D11570 / D11571

www.schneider-electric.com



DANGER / DANGER / PELIGRO / GEFAHR / PERICOLO / PERIGO / ОПАСНО / 危险

**HAZARD OF ELECTRIC SHOCK, EXPLOSION,
OR ARC FLASH**
Disconnect all power before servicing equipment.
Failure to follow these instructions will result in
death or serious injury.

**RISQUE D'ÉLECTROCUTION, D'EXPLOSION
OU D'ECLAIR D'ARC ELECTRIQUE**
Coupez toutes les alimentations avant de travailler
sur cet appareil.
Le non-respect de ces instructions provoquera
la mort ou des blessures graves.

**PELIGRO DE DESCARGA ELÉCTRICA, EXPLOSIÓN
O ARCO ELECTRICO**
Desconecte todas las alimentaciones antes
de manipular el producto.
Si no se siguen estas instrucciones provocará
lesiones graves o incluso la muerte.

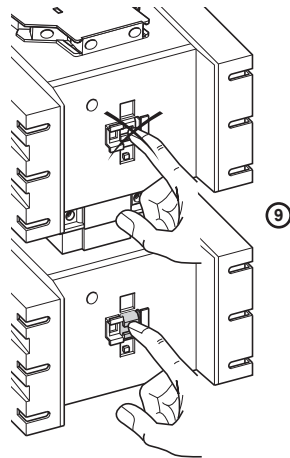
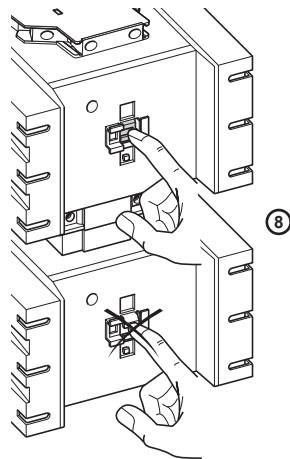
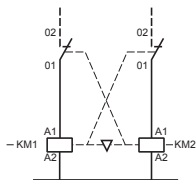
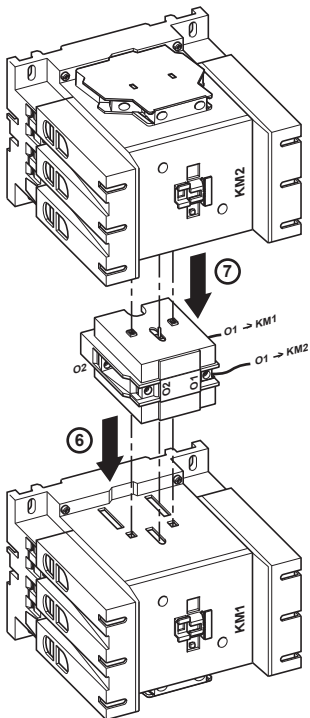
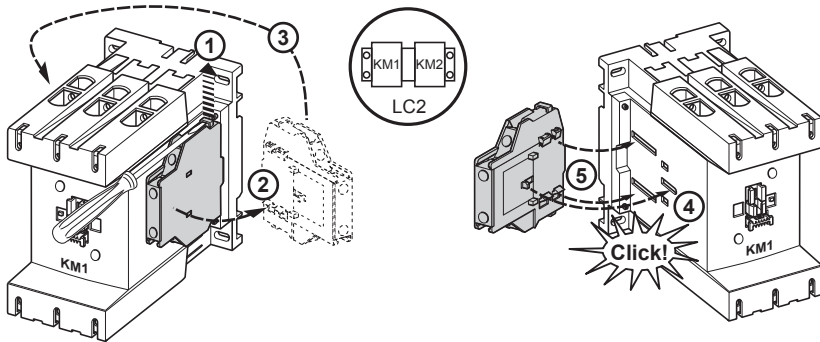
**GEFAHR VON ELEKTRISCHEM SCHLAG,
EXPLOSION ODER LICHTBOGEN**
Vor dem Arbeiten am Gerät alle
Spannungsversorgungen abschalten.
Die Nichtbeachtung dieser Anweisungen führt zu
Tod oder schwereren Verletzungen.

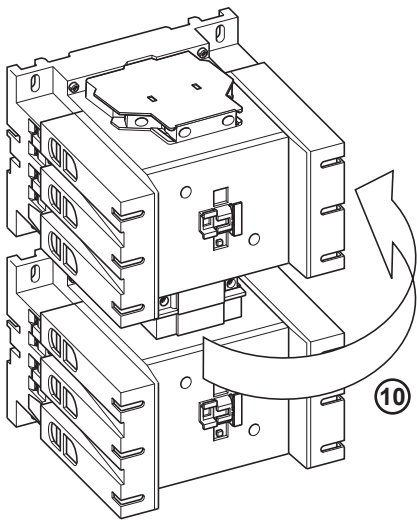
**RISCHIO DI SCARICA ELETTRICA, ESPLOSIONE
O ARCO ELETTRICO**
Scollegare l'apparecchio da tutti i circuiti di
alimentazione prima di qualsiasi intervento.
Il mancato rispetto di queste istruzioni provocherà
morte o gravi infortuni.

**RISCO DE ELECTROCUSSÃO, DE EXPLOÇÃO,
OU DE ARCO ELÉCTRICO**
Desconecte todas as alimentações antes de manipular
o produto.
A não observância destas instruções resultará em
morte, ou ferimentos graves.

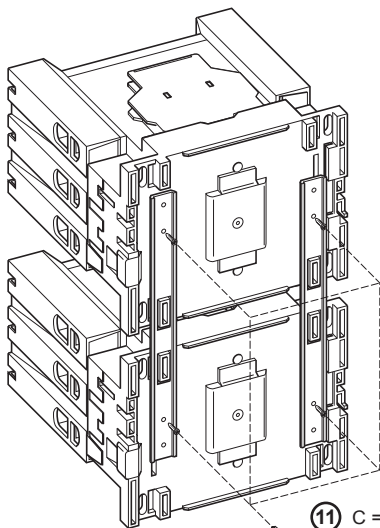
**Опасность поражением электрическим током,
опасность взрыва или вспышки дуги.**
Перед обслуживанием или ремонтом убедитесь, что
питание отключено.
Несоблюдение этих инструкций приведет к смер
ти или серьезной травме.

可能有触电、爆炸或电弧灼伤危险
在此电力设备上进行操作时，请先断开所有电源。
不遵循上述规定将可能导致人员伤亡。





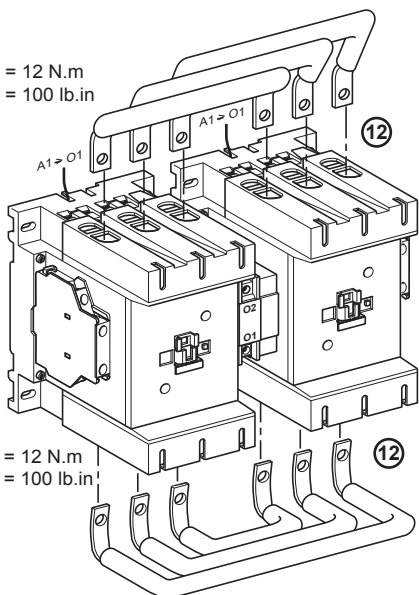
10



11

C = 0,9 N.m
C = 7.7 lb.in

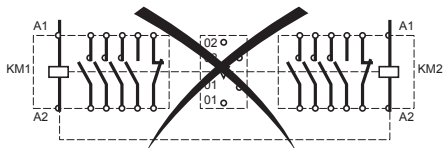
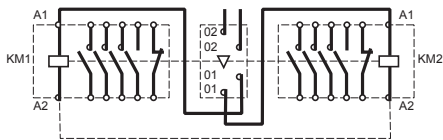
C = 12 N.m
C = 100 lb.in



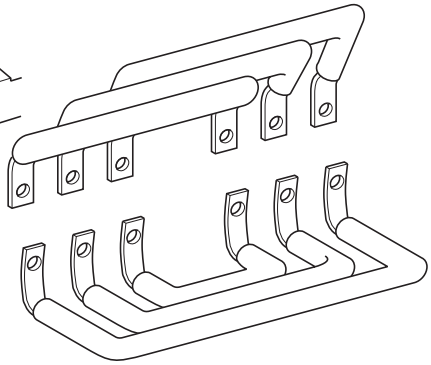
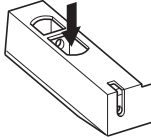
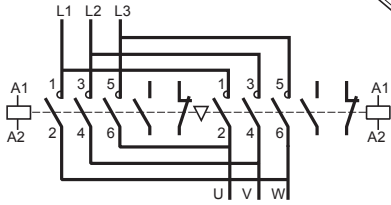
12

C = 12 N.m
C = 100 lb.in

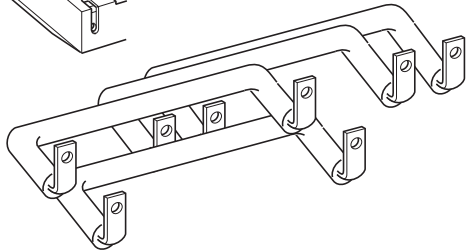
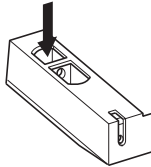
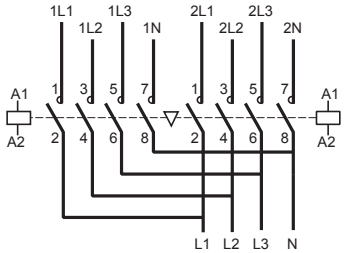
12



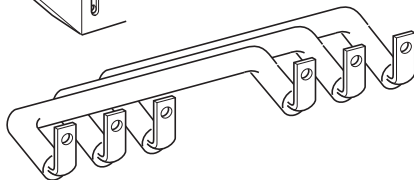
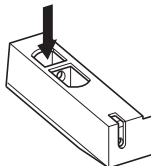
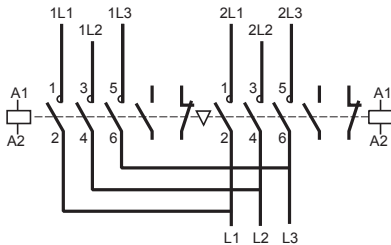
12 LA9-D11569



12 LA9-D11570



12 LA9-D11571





SCATTERGOOD & JOHNSON LTD

ELECTRICAL ENGINEERING & FLUID CONTROL DISTRIBUTORS

Est.1899

At Scattergood & Johnson Ltd, we pride ourselves on being a technical distributor to specialist industries.

Working with a range of quality product suppliers across a number of specialist markets, we are not your average 'box shifter' - we are your technical and supply chain partner.

We fully support every product we sell - for free! Our internal team and external sales engineers can answer any product or application question, no matter the complexity.

Backing up this technical ability is a range of 50,000+ products available from stock for nationwide next day delivery (same day if required!), or you can collect what you need from any of our trade counters around the UK.

Select your specialist interest below to learn more about how we can help.



Online, In Branch and On the Road - Scattergood & Johnson Ltd, there when you need us.

www.scatts.co.uk