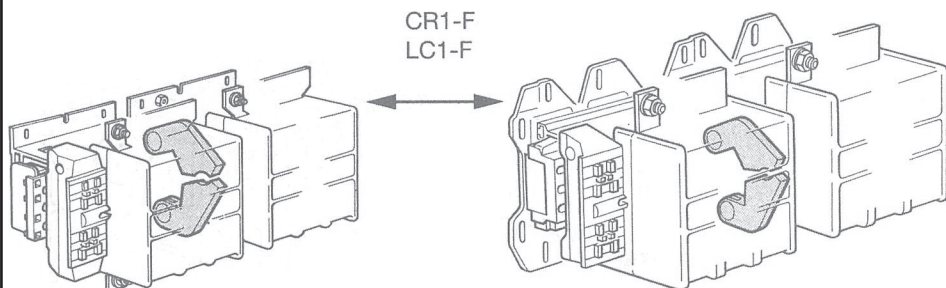
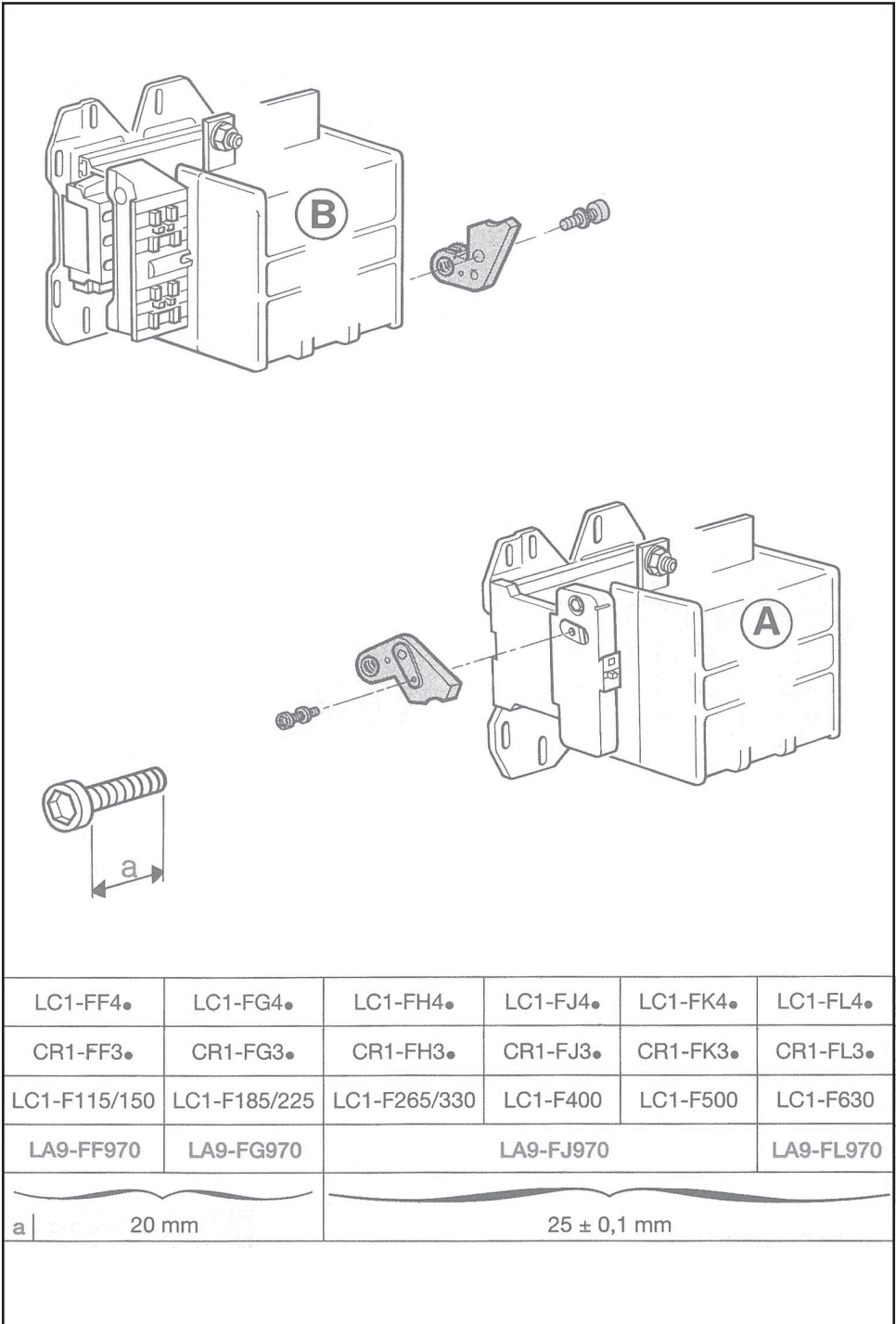




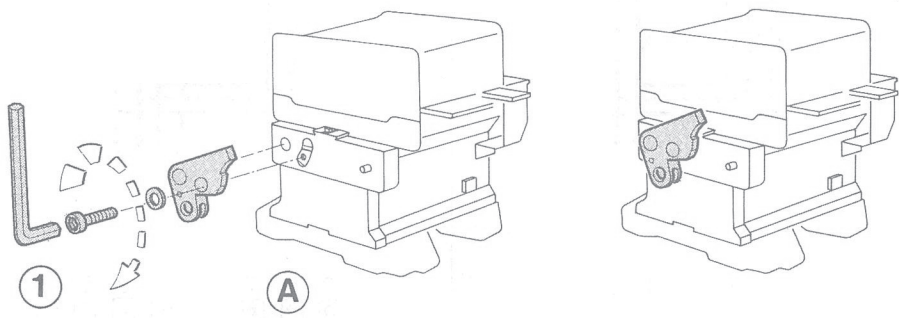
LISTED 170M
IND. CONT. EQ.



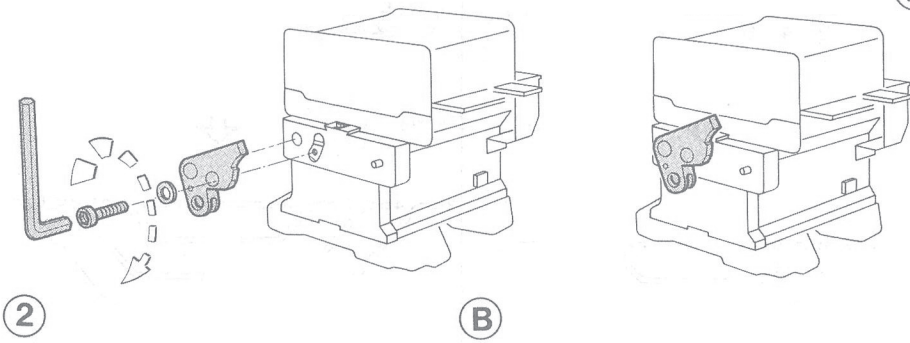


C = 3,6 N.m (F115...F225)
 C = 4,5 N.m (F265...F630,F800)

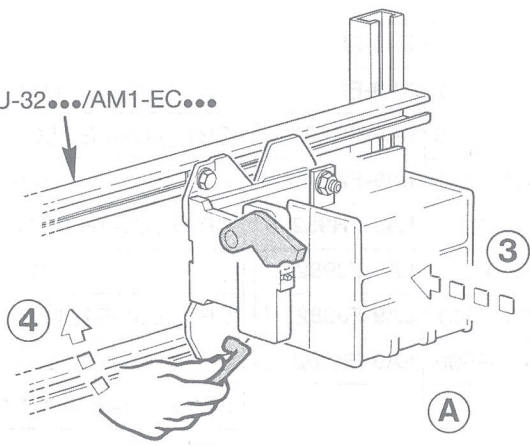
(A)

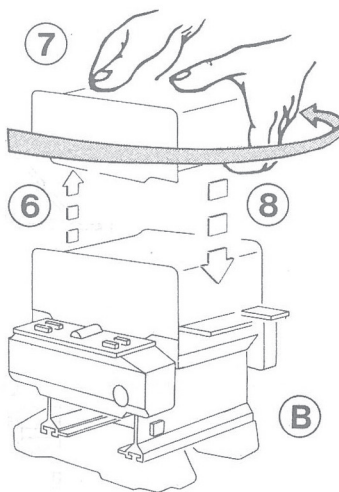
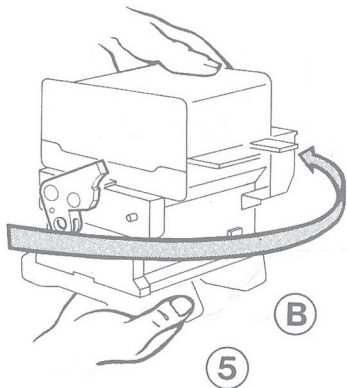


(B)



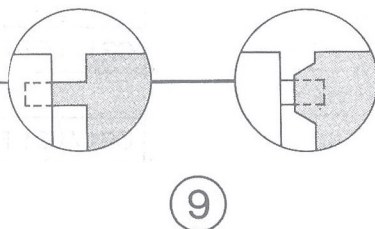
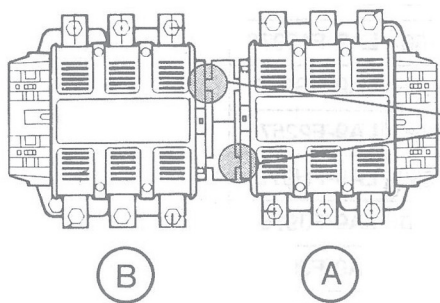
AMU-32.../AM1-EC...

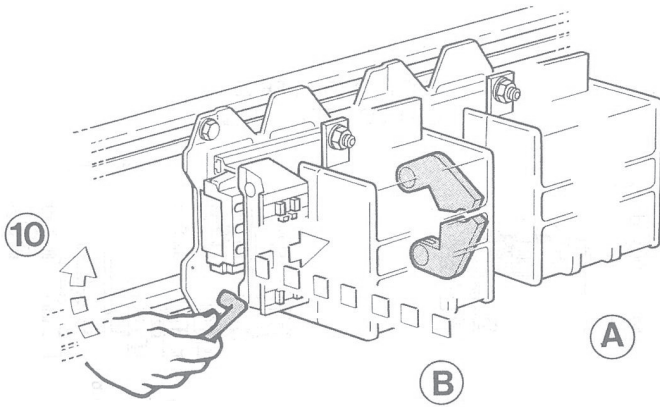




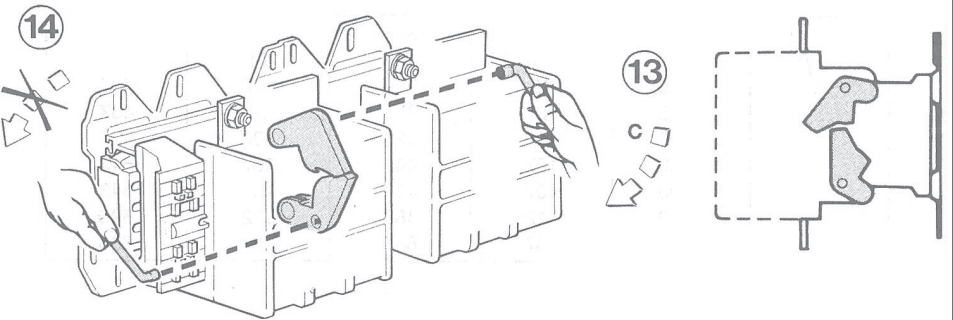
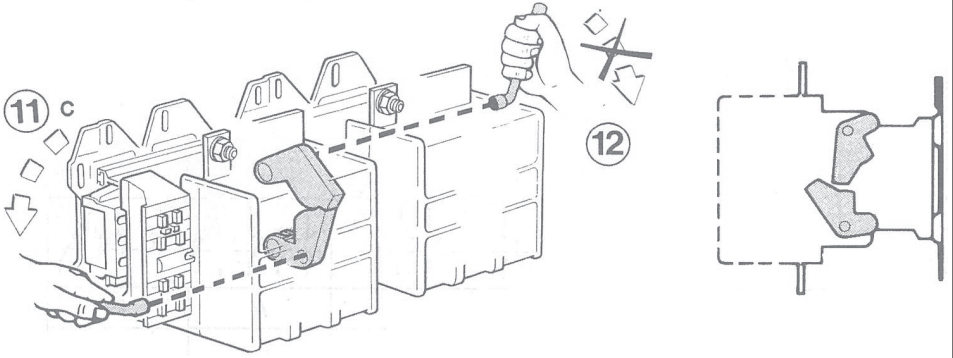
F115 ... F225
(FF-FG)

F265 ... F630
(FH-FJ-FK-FL)



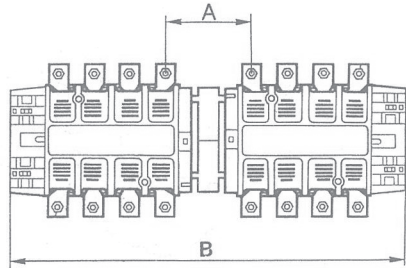
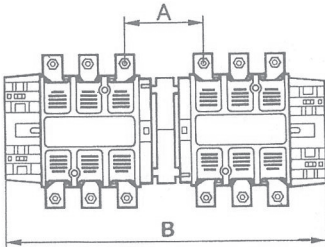


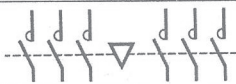

C max = 10 N.m (F115...F225)

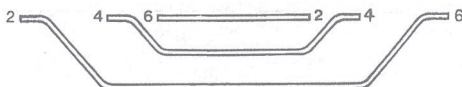
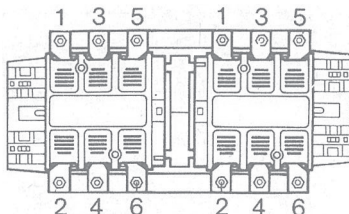
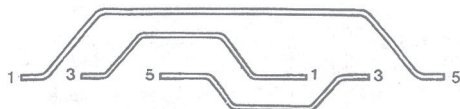
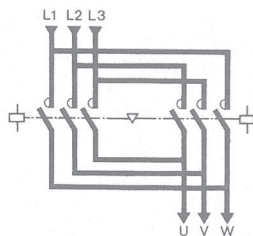


C max = 10 N.m (F115...F225)

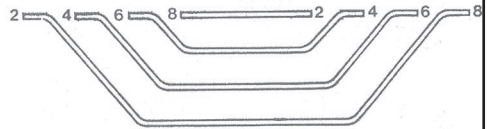
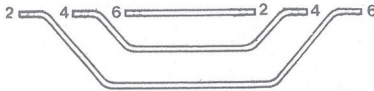
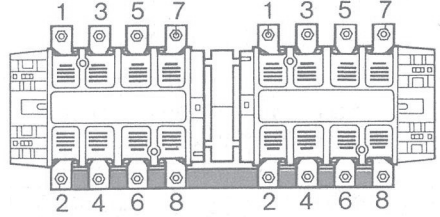
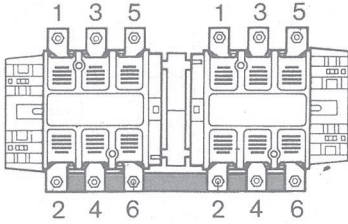
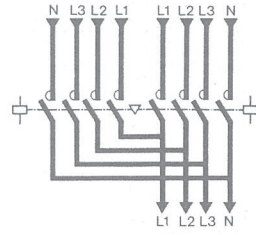
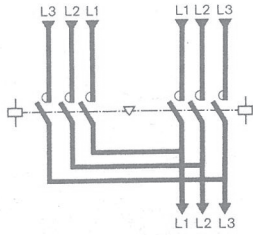
LC1-F115 ... F630
CR1/LC1-FF... FL



					
CR1	LC1	A	B	A	B
FF3	FF4	77	337	77	398
FG3	FG4	78	346	78	410
FH3	FH4	100	408	100	486
FJ3	FJ4	107	431	107	527
FK3	FK4	112	470	112	580
FL3	FL4	137	621	137	781
	F115	77	345	77	419
	F150	71	345	71	422
	F185	78	357	78	437
	F225	62	357	54	437
	F265	100	425	100	521
	F330	107	447	107	543
	F400	107	447	107	543
	F500	112	486	112	596
	F630	137	635	137	795



CR1 / LC1-FF / LC1-F115	LA9-FF976
LC1-F150	LA9-F15076
CR1 / LC1-FG / LC1-F185	LA9-FG976
LC1-F225	LA9-F22576
CR1 / LC1-FH / LC1-F265	LA9-FH976
LC1-F330	LA9-FJ976
CR1 / LC1-FJ / LC1-F400	LA9-FJ976
CR1 / LC1-FK / LC1-F500	LA9-FK976
CR1 / LC1-FL / LC1-F630	LA9-FL976



CR1 / LC1-FF / LC1-F115	LA9-FF982
LC1-F150	LA9-F15082
CR1 / LC1-FG / LC1-F185	LA9-FG982
LC1-F225	LA9-F22582
CR1 / LC1-FH / LC1-F265	LA9-FH982
LC1-F330	LA9-FJ982
CR1 / LC1-FJ / LC1-F400	LA9-FJ982
CR1 / LC1-FK / LC1-F500	LA9-FK982
CR1 / LC1-FL / LC1-F630	LA9-FL982

CR1 / LC1-FF / LC1-F115	LA9-FF977
LC1-F150	LA9-F15077
CR1 / LC1-FG / LC1-F185	LA9-FG977
LC1-F225	LA9-F22577
CR1 / LC1-FH / LC1-F265	LA9-FH977
LC1-F330	LA9-FJ977
CR1 / LC1-FJ / LC1-F400	LA9-FJ977
CR1 / LC1-FK / LC1-F500	LA9-FK977
CR1 / LC1-FL / LC1-F630	LA9-FL977



SCATTERGOOD & JOHNSON LTD

ELECTRICAL ENGINEERING & FLUID CONTROL DISTRIBUTORS

Est.1899

At Scattergood & Johnson Ltd, we pride ourselves on being a technical distributor to specialist industries.

Working with a range of quality product suppliers across a number of specialist markets, we are not your average 'box shifter' - we are your technical and supply chain partner.

We fully support every product we sell - for free! Our internal team and external sales engineers can answer any product or application question, no matter the complexity.

Backing up this technical ability is a range of 50,000+ products available from stock for nationwide next day delivery (same day if required!), or you can collect what you need from any of our trade counters around the UK.

Select your specialist interest below to learn more about how we can help.



Online, In Branch and On the Road - Scattergood & Johnson Ltd, there when you need us.

www.scatts.co.uk