
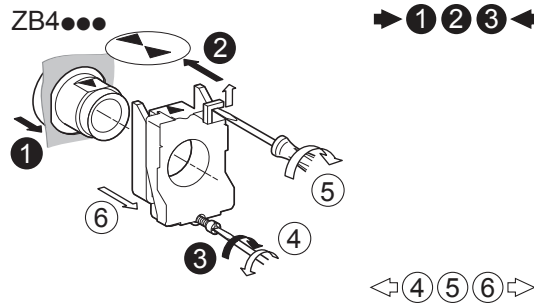
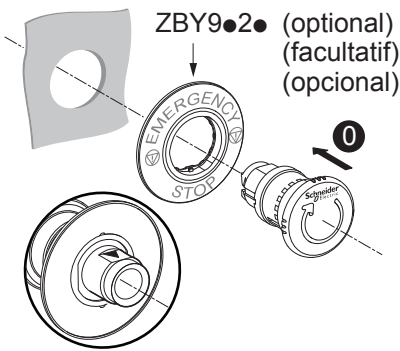
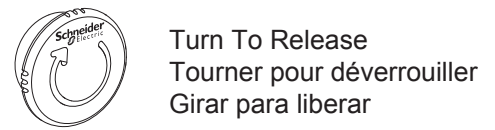
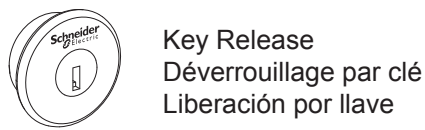
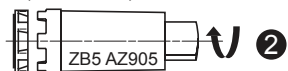


For further information and the EC declaration of conformity, go to: www.schneider-electric.com

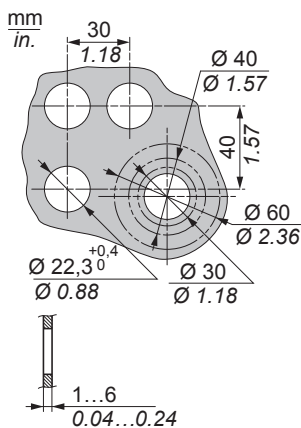
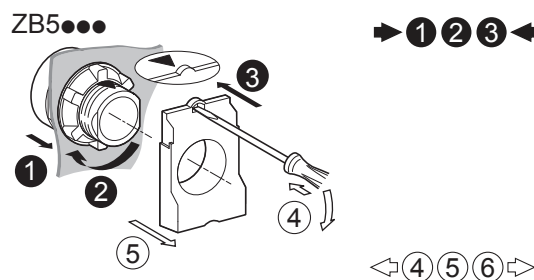
Scan the tag with your smartphone to access the Website: 



2,2 Nm±0,2 / 19.5 lb-in±1.8



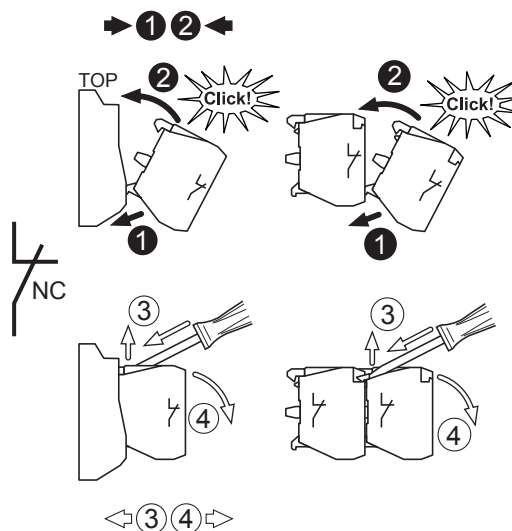
0,8 Nm/7.5 lb-in
(maxi 1,2 Nm/10.6 lb-in)

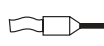


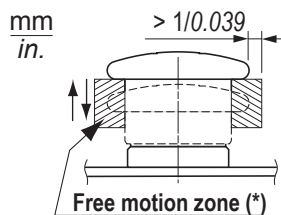
For use on flat surface of a type 4,
4 x, 12 and 13 enclosure

À utiliser sur la surface plane d'un
boîtier de type 4, 4 x, 12 et 13

Para utilizar sobre la superficie
plana de un armario de tipo 4, 4 x,
12 y 13

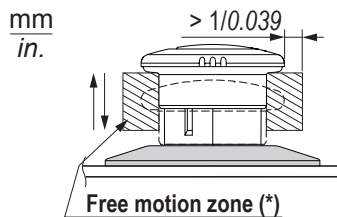


mm inch	6,8 0.27	6,8 0.27	
mm ²	0,22...2,5	0,22...2,5	0,22...1,5
AWG	24...14	24...14	24...16



(*): Free motion zone
Zone de mouvement libre
Zona de libre movimiento

With ZBY9●2● (optional)
Avec ZBY9●2● (facultatif)
Con ZBY9●2● (opcional)



(*): Free motion zone
Zone de mouvement libre
Zona de libre movimiento

⚠ DANGER / DANGER / PERICOLO

OBSTRUCTED PUSH BUTTON MOTION

Make sure that the push button will fully operate.

Failure to follow these instructions will result in death or serious injury.

MOUVEMENT DU BOUTON POUSSOIR OBSTRUE

Assurez-vous que le bouton fonctionne correctement.

Le non-respect de ces instructions provoquera la mort ou des blessures graves.

OPERACION DEL PULSADOR OBSTRUIDA

Asegurarse que el pulsador funciona correctamente.

Si no se siguen estas instrucciones provocará lesiones graves o incluso la muerte.

- en** Electrical equipment should be installed, operated, serviced, and maintained only by qualified personnel. No responsibility is assumed by Schneider Electric for any consequences arising out of the use of this material.
- fr** Les équipements électriques doivent être installés, exploités et entretenus par un personnel qualifié. Schneider Electric décline toute responsabilité quant aux conséquences de l'utilisation de ce matériel.
- es** Sólo el personal de servicio cualificado podrá instalar, utilizar, reparar y mantener el equipo eléctrico. Schneider Electric no asume las responsabilidades que pudieran surgir como consecuencia de la utilización de este material.

© 2014 Schneider Electric. "All Rights Reserved."



SCATTERGOOD & JOHNSON LTD

ELECTRICAL ENGINEERING & FLUID CONTROL DISTRIBUTORS

Est.1899

At Scattergood & Johnson Ltd, we pride ourselves on being a technical distributor to specialist industries.

Working with a range of quality product suppliers across a number of specialist markets, we are not your average 'box shifter' - we are your technical and supply chain partner.

We fully support every product we sell - for free! Our internal team and external sales engineers can answer any product or application question, no matter the complexity.

Backing up this technical ability is a range of 50,000+ products available from stock for nationwide next day delivery (same day if required!), or you can collect what you need from any of our trade counters around the UK.

Select your specialist interest below to learn more about how we can help.



Online, In Branch and On the Road - Scattergood & Johnson Ltd, there when you need us.

www.scatts.co.uk