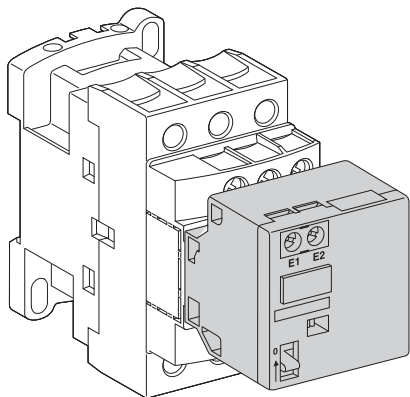
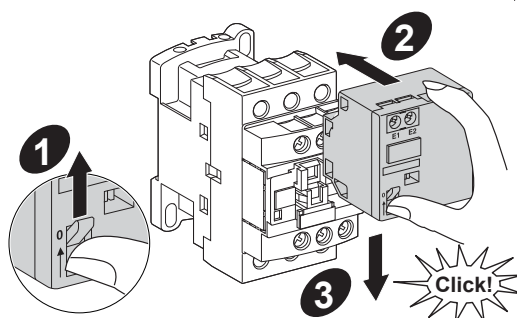
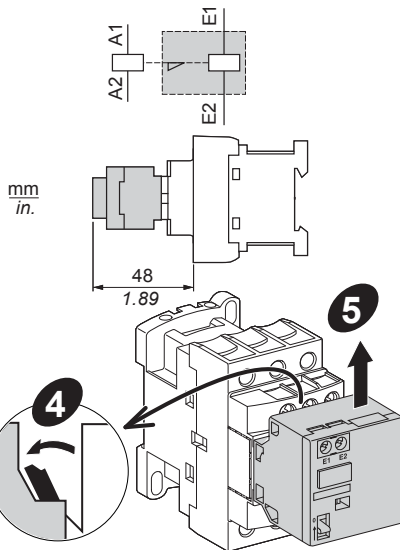


# LA6-DK●● - LAD6K●●

www.schneider-electric.com



LAD6K10	LC1D09...LC1D65A LC1DT20...LC1DT80A CAD●●
LA6-DK10	CA●DN●
LA6-DK20	LC1D80...LC1D150



**▲ CAUTION / ATTENTION / VORSICHT / ATENCIÓN  
ATTENZIONE / CUIDADO / ВНИМАНИЕ / 小心**

**RISK OF DESTROYING THE CONTACTOR**  
Never energize the coils A1-A2 & E1-E2 simultaneously.  
**Failure to follow these instructions can result in injury or equipment damage.**

**RISQUE DE DESTRUCTION DU CONTACTEUR**  
Ne jamais alimenter simultanément A1-A2 et E1-E2.  
**Le non-respect de ces instructions peut provoquer des blessures ou des dommages matériels.**

**GEFAHR DER ZERSTÖRUNG DES SCHÜTZES**  
Die gleichzeitige Aussteuerung von Hilfsschütz A1-A2 und Verlinkungsblock E1-E2 ist zu vermeiden.  
**Die Nichtbeachtung dieser Anweisungen kann Verletzungen oder Sachschäden zur Folge haben.**

**RIESGO DE DESTRUCCIÓN DEL CONTACTOR**  
Non alimentare mai simultaneamente A1-A2 ed E1-E2.  
**Si no se siguen estas instrucciones pueden producirse lesiones personales o daños en el equipo.**

**RISCHIO DI DISTRUZIONE DEL CONTATTATORE**  
No alimentar simultaneamente A1-A2 y E1-E2.  
**Il mancato rispetto di queste istruzioni può provocare infortuni o danni alle apparecchiature.**

**RISCO DE DESTRUIÇÃO DO CONTACTOR**  
Nunca alimentar simultaneamente A1-A2 e E1-E2.  
**A não observância destas instruções pode provocar ferimentos pessoais, ou danos no equipamento.**

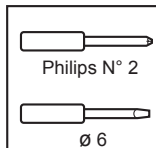
**ОПАСНОСТЬ ПОВРЕЖДЕНИЯ КОНТАКТОРА**  
Запрещается подавать питание одновременно на катушки A1-A2 и E1-E2.  
**Несоблюдение этих инструкций может привести к травме или повреждению оборудования.**

存在接触器受损的风险  
切勿同时给 A1-A2 和 E1-E2 线圈通电。  
不遵循上述说明可能导致人身伤害或设备损坏。

W9 1512174 01 11 A06  
04 - 2016  
1/2



Wiring min...max  
 Raccordement mini...maxi  
 Anschlüsse min...max  
 Capacidad de conexión min...max  
 Connessione min...max  
 Ligaçāo mín...máx.  
 Мин...макс. сечение кабелей  
 接线 最小...最大



LAD6K10● LA6DK20●	1...4 mm <sup>2</sup>	1...2,5 mm <sup>2</sup> + 1...2,5 mm <sup>2</sup>	1...4 mm <sup>2</sup>	1...4 mm <sup>2</sup> + 1...4 mm <sup>2</sup>	1...4 mm <sup>2</sup>	1...4 mm <sup>2</sup> + 1...4 mm <sup>2</sup>	8 mm	0,8 N.m
	AWG 18...12	AWG 18...14 + AWG 18...14	AWG 18...12	AWG 18...12 + AWG 18...12	AWG 18...12	AWG 18...12 + AWG 18...12	0.31 in.	7.1 lb-in

**en** ● Minimum pulse time required to unlatch the contactor:  
 ○ 100 ms with ~ coil  
 ○ 250 ms with ≡ coil  
 ● Maximum pulse time: 10 s  
 ● Operating rate: 1200 cycles/hour /h

**de** ● Minimale Impulsdauer zum Kippen des Schützes:  
 ○ 100 ms mit Spule ~  
 ○ 250 ms mit Spule ≡  
 ● Maximale Impulszeit: 10 s  
 ● Arbeitstaktrate: 1200 Zyklen /h

**it** ● Durata minima dell'impulso per staccare il contattore:  
 ○ 100 ms con bobina ~  
 ○ 250 ms con bobina ≡  
 ● Tempo massimo d'impulso: 10 s  
 ● Frequenza di funzionamento: 1.200 cicli/ora

**ru** ● Минимальный импульсный интервал, необходимый для разблокировки контактора:  
 ○ 100 мс для катушки переменного тока  
 ○ 250 мс для катушки постоянного тока  
 ● Максимальный импульсный интервал: 10 с  
 ● Рабочая частота: 1200 циклов в час

**fr** ● Durée minimale d'impulsion pour décrocher le contacteur :  
 ○ 100 ms avec bobine ~  
 ○ 250 ms avec bobine ≡  
 ● Temps maximum d'impulsion : 10 s  
 ● Cadence de fonctionnement : 1200 cycles /h

**es** ● Duración mínima del impulso para desconectar el contactor:  
 ○ 100 ms con bobina ~  
 ○ 250 ms con bobina ≡  
 ● Tiempo máximo del impulso: 10 s  
 ● Cadencia de funcionamiento: 1.200 ciclos/h

**pt** ● Duração mínima de impulso para desligar o contactor:  
 ○ 100 ms com bobina ~  
 ○ 250 ms com bobina ≡  
 ● Tempo máximo de impulso: 10 s  
 ● Velocidade de funcionamento: 1200 ciclo /h

**zh** ● 接触器解锁所需的最短脉冲时间:  
 ○ AC 线圈为 100 毫秒、  
 ○ DC 线圈为 250 毫秒:  
 ● 最长脉冲时间: 10 秒  
 ● 运行速率: 每小时 1200 个循环

Schneider Electric Industries SAS  
 35, rue Joseph Monier  
 92506 Rueil Malmaison  
 France



# SCATTERGOOD & JOHNSON LTD

ELECTRICAL ENGINEERING & FLUID CONTROL DISTRIBUTORS

Est.1899

At Scattergood & Johnson Ltd, we pride ourselves on being a technical distributor to specialist industries.

Working with a range of quality product suppliers across a number of specialist markets, we are not your average 'box shifter' - we are your technical and supply chain partner.

We fully support every product we sell - for free! Our internal team and external sales engineers can answer any product or application question, no matter the complexity.

Backing up this technical ability is a range of 50,000+ products available from stock for nationwide next day delivery (same day if required!), or you can collect what you need from any of our trade counters around the UK.

Select your specialist interest below to learn more about how we can help.



Online, In Branch and On the Road - Scattergood & Johnson Ltd, there when you need us.

# [www.scatts.co.uk](http://www.scatts.co.uk)