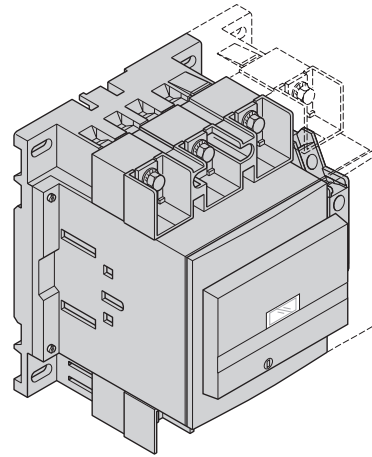
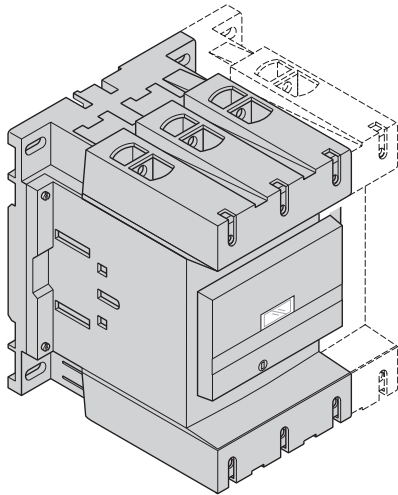




LC1 / LC2 D115 D150

www.schneider-electric.com

Contacteurs / Contacteurs-inverseurs
 Contactors / Reversing contactors
 Schütze / Wendeschütze
 Contattori / Teleinvertitori
 Contactores / Contactores-inversores
 Contatores / Contatores-inversores
 Контакторы / Реверсивные контакторы
 接触器 / 换向接触器



LC1 D115
 LC1 D115004
 LC2 D115
 LC2 D115004
 LC1 D150
 LC2 D150

LC1 D1156
 LC1 D1150046
 LC2 D1156
 LC2 D1150046
 LC1 D1506
 LC2 D1506

For Motor Starting Use Schneider Electric Overload Relay Series LR.

⚠ WARNING

RISK OF FIRE OR ELECTRIC SHOCK (FOR CONTACTOR WITH UL HI-FAULT SHORT CIRCUIT CURRENT RATINGS ONLY)

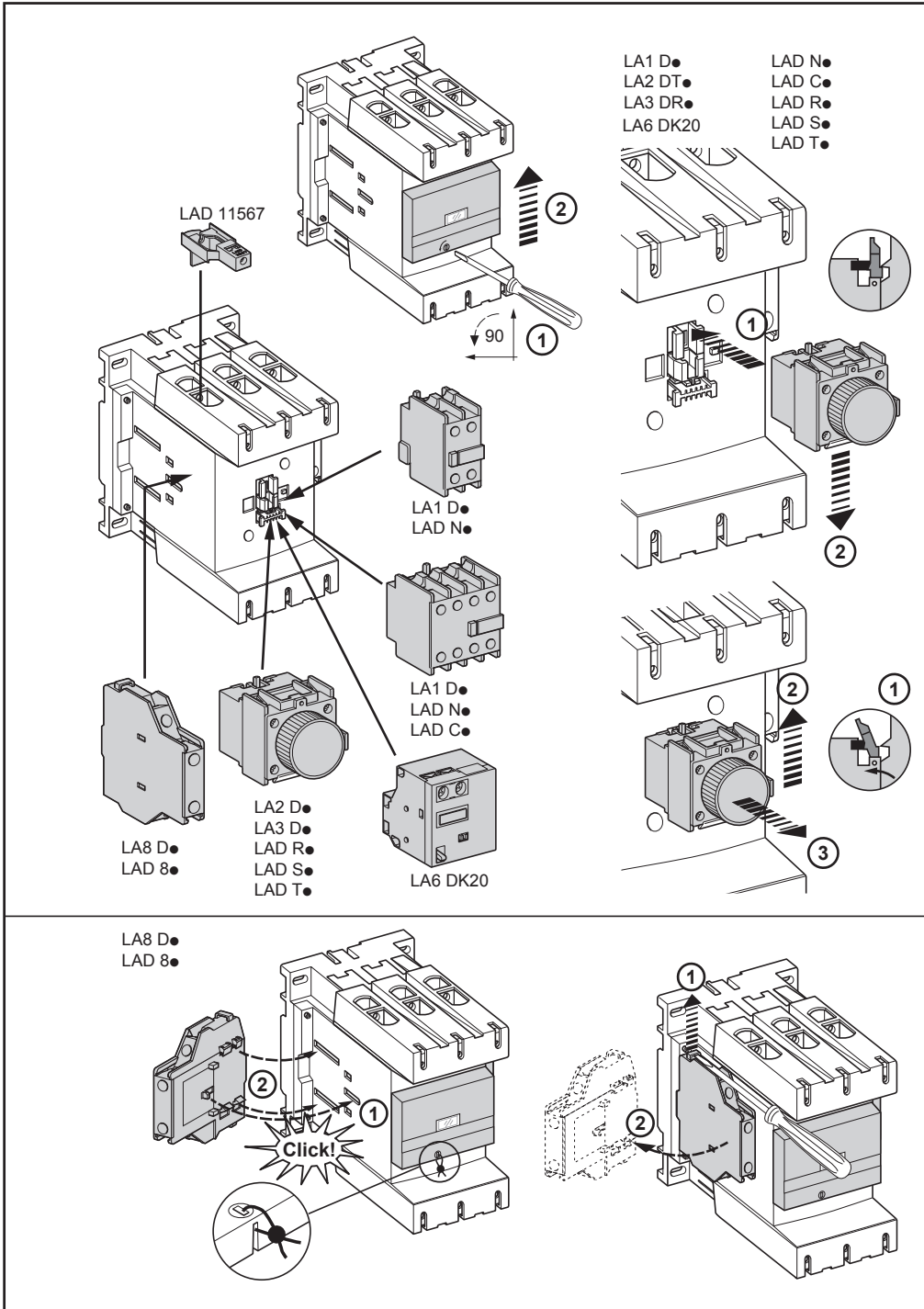
The opening of the branch-circuit protective device may be an indication that a fault current has been interrupted.

To reduce the risk of fire or electric shock, current-carrying parts and the other components of the controller should be examined and replaced if damaged.

Failure to follow these instructions can result in death, serious injury, or equipment damage.

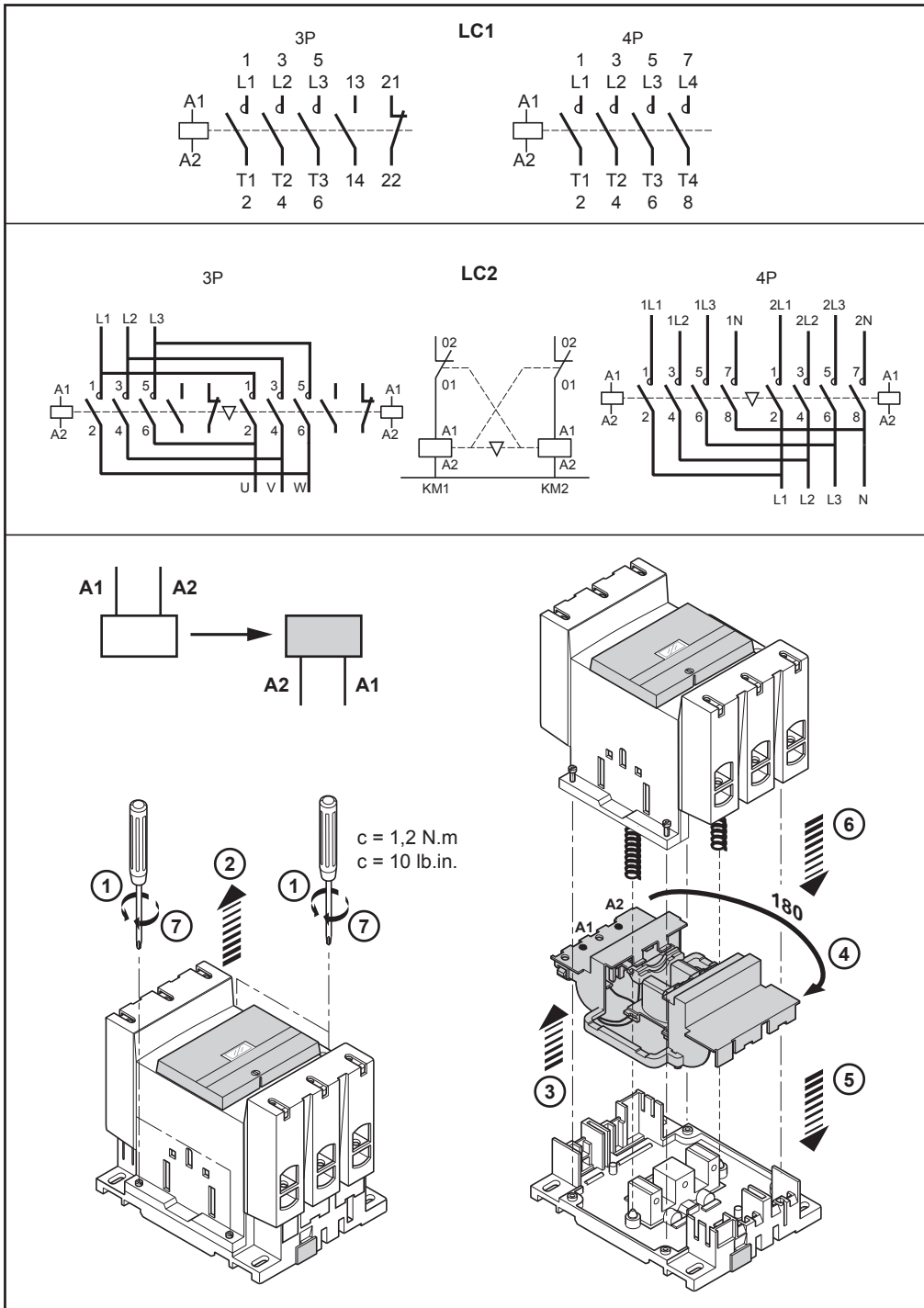
W9 1511301 0123 12
 07 - 2015
 1/12





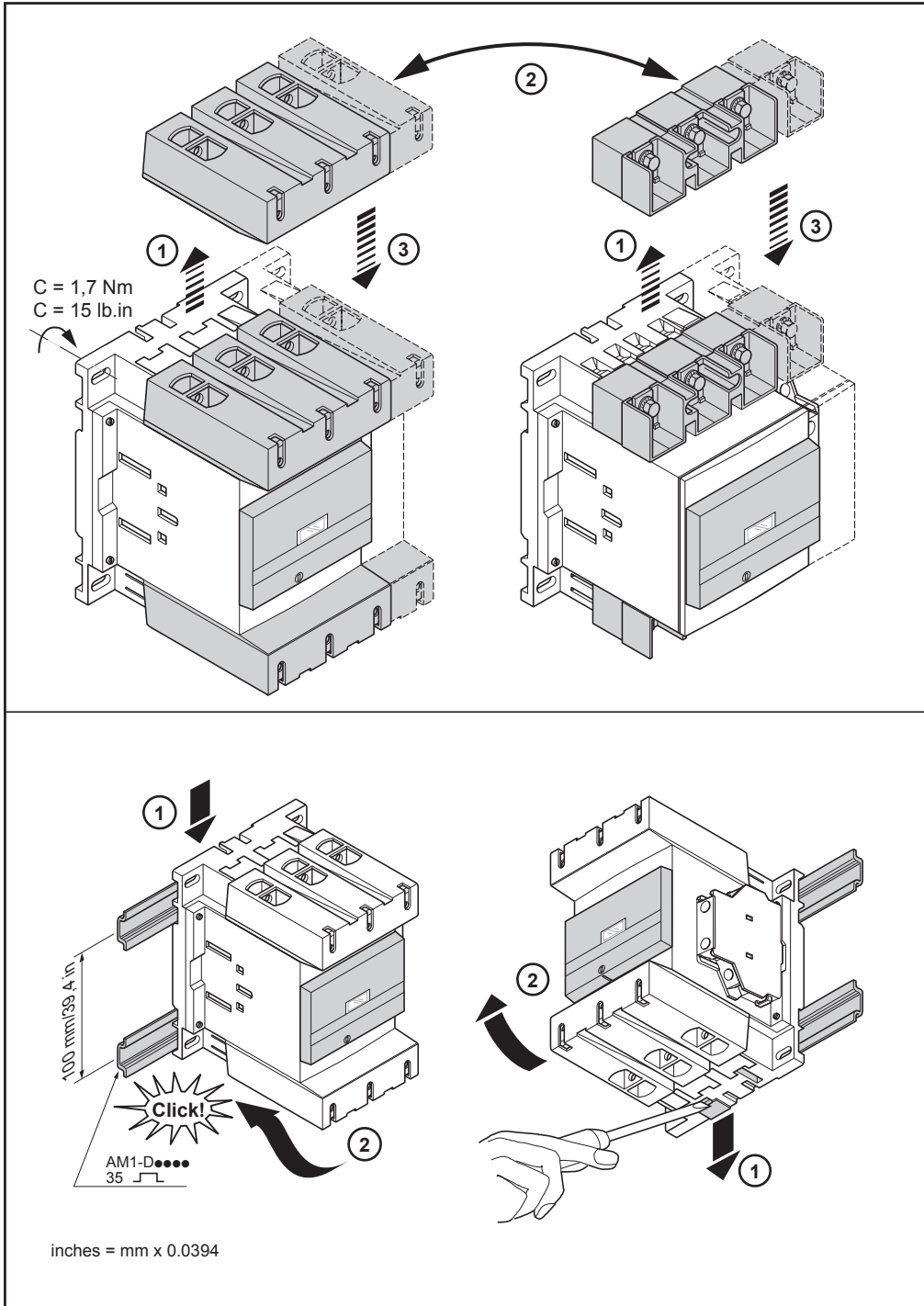
W9 1511301 0123 12

2/12



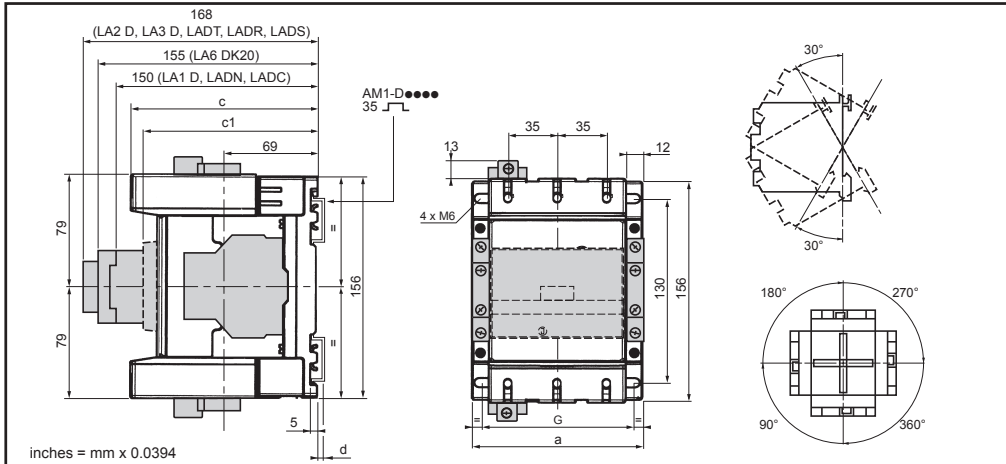
W9 1511301 0123 12

3/12



W9 1511301 0123 12

4/12



		LC1	
mm		3P	4P
a		120	155
c	D115●●	132	132
	D115●●6	115	115
	D150●●	132	-
	D150●●6	115	-
c1	D1156	122	122
	D1506	122	-
G	D115	96/110	130/144
	D150	96/110	-
d	AM1 DP200	2	2
	AM1 DE200	9,5	9,5

⚠ ⚠ DANGER / DANGER / PELIGRO / GEFAHR / PERICOLO / PERIGO / 危險 / ОПАСНО

HAZARD OF ELECTRIC SHOCK, EXPLOSION, OR ARC FLASH
Disconnect all power before servicing equipment.
Failure to follow these instructions will result in death or serious injury.

RISQUE D'ÉLECTROCUTION, D'EXPLOSION OU D'ECLAIR D'ARC ELECTRIQUE
Coupez toutes les alimentations avant de travailler sur cet appareil.
Le non-respect de ces instructions provoquera la mort ou des blessures graves.

PELIGRO DE DESCARGA ELÉCTRICA, EXPLOSIÓN O ARCO ELECTRICO
Desconecte todas las alimentaciones antes de manipular el producto.
Si no se siguen estas instrucciones provocará lesiones graves o incluso la muerte.

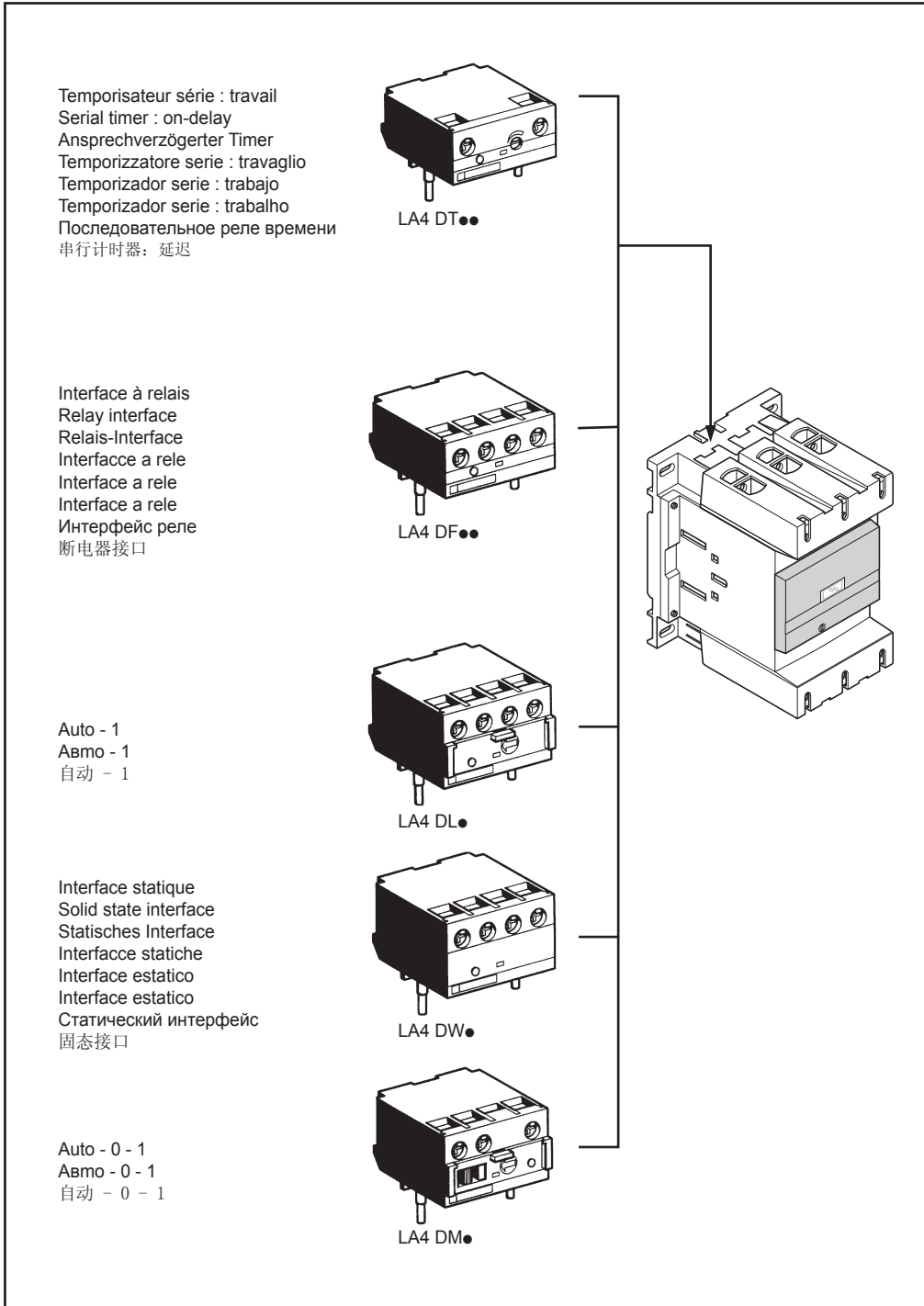
GEFAHR VON ELEKTRISCHEM SCHLAG, EXPLOSION ODER LICHTBOGEN
Vor dem Arbeiten am Gerät alle Spannungsversorgungen abschalten.
Die Nichtbeachtung dieser Anweisungen führt zu Tod oder schwereren Verletzungen.

RISCHIO DI SCARICA ELETTRICA , ESPLOSIONE O ARCO ELETTRICO
Scollegare l'appare cchio da tutti i circuiti di alimentazione prima di qualsiasi intervento.
Il mancato rispetto di queste istruzioni provocherà morte o gravi infortuni.

RISCO DE ELECTROCUSSÃO, DE EXPLOSIÃO, OU DE ARCO ELÉCTRICO
Desconecte todas as alimentações antes de manipular o produto.
A não observância destas instruções resultará em morte, ou ferimentos graves.

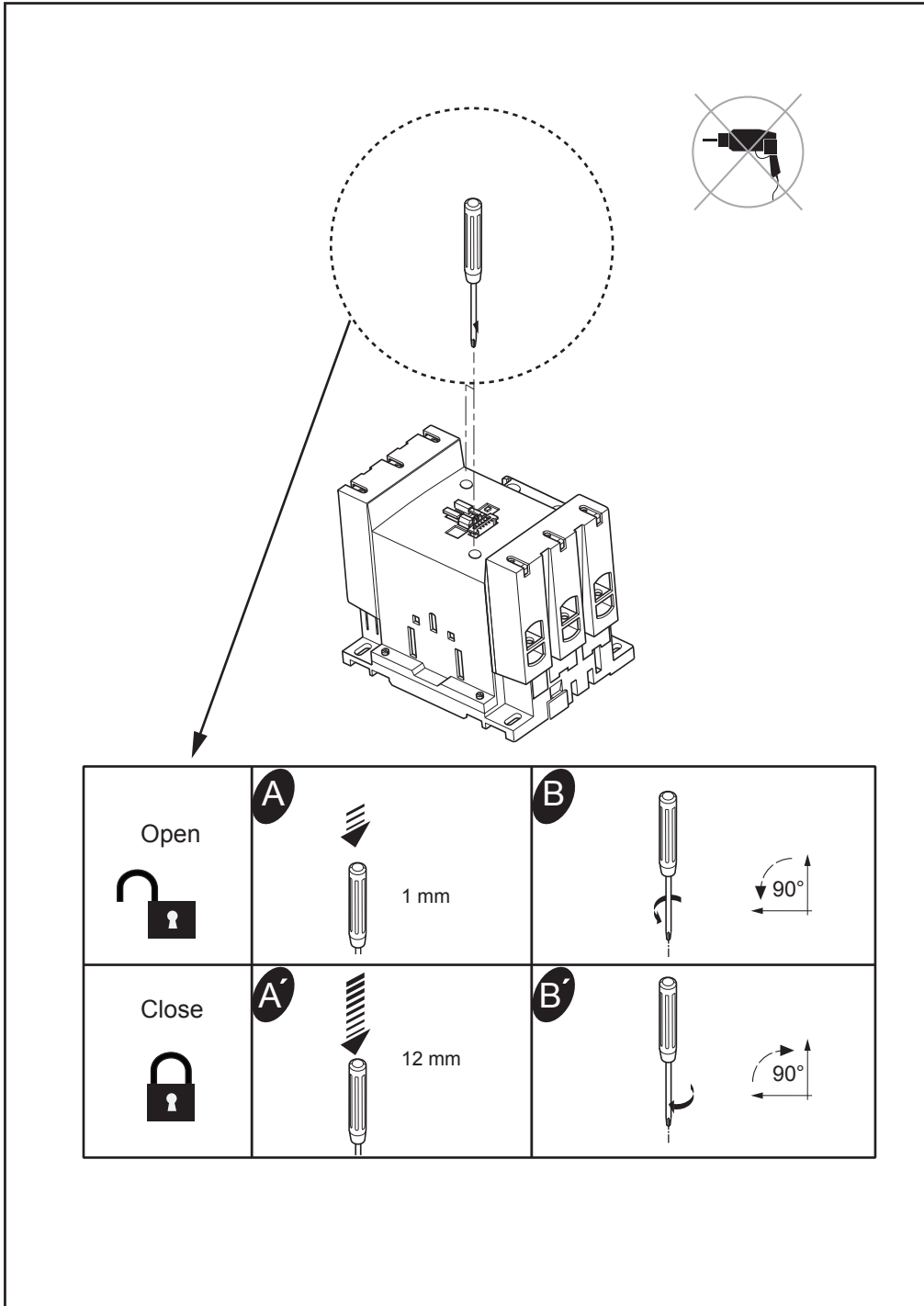
电击、爆炸或电弧闪光危险
在此电力设备上工作时,请先切断所有电源。
若违背这些说明,
不遵循上述说明将导致人员伤亡。

Опасность поражения электрическим током, опасность взрыва или вспышки дуги.
Перед обслуживанием или ремонтом убедитесь, что питание отключено.
Несоблюдение этих инструкций приведет к смерти или серьезной травме.





	3P	4P				
	LA9 D115603	LA9 D115604				
	LA9 D115503	LA9 D115504				
	LA9 D115703	LA9 D115704				
	(D115) LA5 D11550	(D115) LA5 D115450				
	(D150) LA5 D15050	-				
	(D115) LA5 D1158031	(D115) LA5 D115804				
	(D150) LA5 D150803	-				
	LAD 9ET4					
产品中有毒有害物质或元素的名称及含量 / Contents of Toxic or Hazardous Substances or Elements						
有毒有害物质或元素 / Toxic or hazardous Substances and Elements						
部件名称 / Part Name	铅 (Pb)	汞 (Hg)	镉 (Cd)	六价铬 (Cr ⁶⁺)	多溴联苯 (PBB)	多溴二苯醚 (PBDE)
电子线路板 / Electronics Board	X	O	O	O	O	O
<p>O : 表示该有毒有害物质在该部件所有均质材料中的含量均在 SJ/T11363-2006 标准规定的限量要求以下。 Indicates that this toxic or hazardous substance contained in all of the homogeneous materials for this part is below the limit requirement in SJ/T11363-2006.</p> <p>X : 表示该有毒有害物质至少在该部件的某一均质材料中的含量超出 SJ/T11363-2006 标准规定的限量要求。 Indicates that this toxic or hazardous substance contained in at least one of the homogeneous materials used for this part is above the limit requirement in SJ/T11363-2006</p> <p>对销售之日的所售产品,本表显示, 施耐德电气供应链的电子信息技术产品可能包含这些物质。注意:在所售产品中可能会也可能不会含有所有列出的部件。 Note: The products on sale may or may not contain all the parts/components listed here.</p>						
<p>3P AC TeSys D contactors (LC1D115 -> LC1D150) are grade 2 according to GB 21518. Maximum power consumption lower than 36.6 VA. 根据GB 21518标准, 三相 TeSys D系列交流接触器 (LC1D115 -> LC1D150)能效等级为2级, 产品最大吸持功率低于36.6 VA</p>						



W9 1511301 0123 12

9/12



<p>The product's manufacture date is coded PPYYWWD, where:</p> <ul style="list-style-type: none"> ● PP: plant code ● YY: year of manufacture ● WW: week of manufacture ● (D: weekday of manufacture (Monday = 1)) 	<p>La date de fabrication du produit est codée PPYYWWD, avec:</p> <ul style="list-style-type: none"> ● PP: code usine ● YY: année de fabrication ● WW: semaine de fabrication ● (D: jour de fabrication dans la semaine (lundi = 1)) 	<p>La fecha de fabricación del producto está codificada PPYYWWD, donde:</p> <ul style="list-style-type: none"> ● PP: código de la planta ● YY: año de fabricación ● WW: semana de fabricación ● (D: día de la semana de fabricación (lunes = 1)) 	<p>Das Herstellungsdatum des Produkts ist folgendermaßen codiert: PPYYWWD. Wobei:</p> <ul style="list-style-type: none"> ● PP: Werkscode ● YY: Herstellungsjahr ● WW: Herstellungswoche ● (D: Herstellungstag (Montag = 1))
<p>La data di fabbricazione del prodotto è indicata con il codice PPYYWWD, dove:</p> <ul style="list-style-type: none"> ● PP: codice stabilimento ● YY: anno di fabbricazione ● WW: settimana di fabbricazione ● (D: giorno della settimana in cui il prodotto è stato fabbricato (lunedì = 1)) 	<p>A data de fabrico do produto está sob a forma de código PPYYWWD, onde:</p> <ul style="list-style-type: none"> ● PP: código da fábrica ● YY: ano de fabrico ● WW: semana de fabrico ● (D: dia da semana de fabrico (Segunda-feira = 1)) 	<p>Дата производства продукта закодирована в формате PPYYWWD, где:</p> <ul style="list-style-type: none"> ● PP: код завода ● YY: год производства ● WW: неделя производства ● (D: день недели, когда был произведен продукт (понедельник = 1)) 	<p>产品制造日期采用如下代码 PPYYWWD, 其中:</p> <ul style="list-style-type: none"> ● PP: 工厂代码 ● YY: 制造年份 ● WW: 第几周制造 ● (D: 星期几制造 (星期一 = 1))





W9 1511301 0123 12

11/12





Schneider Electric Industries SAS

35, rue Joseph Monier
CS30323
F - 92500 Rueil-Malmaison
<http://www.schneider-electric.com>

W9 1511301 0123 12

Уполномоченный поставщик в РФ:
АО «Шнейдер Электрик»

Адрес:
127018, г. Москва, ул. Двинцев, д.12, корп.1,
тел. +7 (495)777 99 88,
факс: +7 (495)777 99 94, 8-800-200-6446
www.schneider-electric.ru

EAC



12/12





SCATTERGOOD & JOHNSON LTD

ELECTRICAL ENGINEERING & FLUID CONTROL DISTRIBUTORS

Est.1899

At Scattergood & Johnson Ltd, we pride ourselves on being a technical distributor to specialist industries.

Working with a range of quality product suppliers across a number of specialist markets, we are not your average 'box shifter' - we are your technical and supply chain partner.

We fully support every product we sell - for free! Our internal team and external sales engineers can answer any product or application question, no matter the complexity.

Backing up this technical ability is a range of 50,000+ products available from stock for nationwide next day delivery (same day if required!), or you can collect what you need from any of our trade counters around the UK.

Select your specialist interest below to learn more about how we can help.



Online, In Branch and On the Road - Scattergood & Johnson Ltd, there when you need us.

www.scatts.co.uk