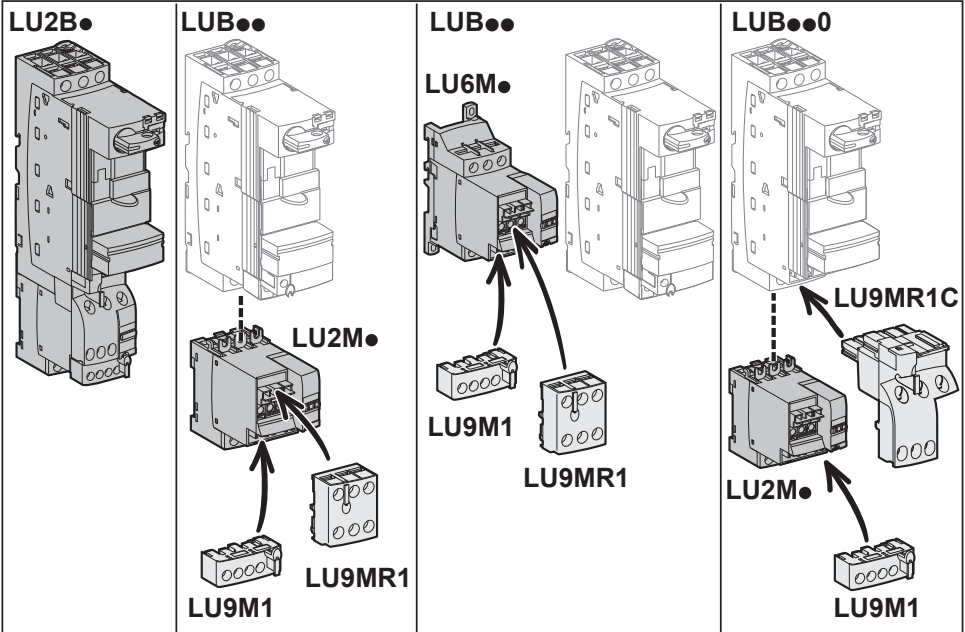


LU2B●/LU2M●/LU6M●



**DANGER / DANGER / PELIGRO / GEFAHR /
PERICOLO / ОПАСНОСТЬ / 危險**



HAZARD OF ELECTRIC SHOCK, EXPLOSION, OR ARC FLASH

Disconnect all power before servicing equipment.

Failure to follow these instructions will result in death or serious injury.

RISQUE D'ÉLECTROCUTION, D'EXPLOSION OU D'ÉCLAIR D'ARC ÉLECTRIQUE

Coupez toutes les alimentations avant de travailler sur cet appareil.

Si ces directives ne sont pas respectées, cela entraînera la mort ou des blessures graves.

PELIGRO DE DESCARGA ELÉCTRICA, EXPLOSIÓN O ARCO ELÉCTRICO

Desconecte todas las alimentaciones antes de manipular el producto.

El incumplimiento de estas instrucciones podrá causar la muerte o lesiones serias.

GEFAHR VON ELEKTRISCHEM SCHLAG, EXPLOSION ODER LICHTBOGEN

Vor dem Arbeiten am Gerät alle Spannungsversorgungen abschalten.

Die Nichtbeachtung dieser Anweisungen führt zu Tod oder schweren Verletzungen.

RISCHIO DI SCARICA ELETTRICA, ESPLOSIONE O ARCO ELETTRICO

Scollegare l'apparecchio da tutti i circuiti di alimentazione prima di qualsiasi intervento.

Il mancato rispetto di queste istruzioni provocherà morte o gravi infortuni.

Опасность поражением электрическим током, опасность взрыва или вспышки дуги.

Перед обслуживанием или ремонтом убедитесь, что питание отключено.

Несоблюдение этих инструкций приведет к смерти или серьезной травме.

电击、爆炸或电弧闪光危险

在此电力设备上进行操作时，请先断开所有电源。

不遵循上述规定将可能导致人员伤亡。



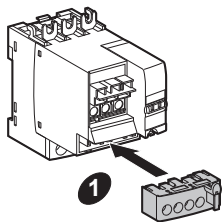
W916388430121

Schneider Electric Industries SAS
35, rue Joseph Monier
92506 Rueil Malmaison
France

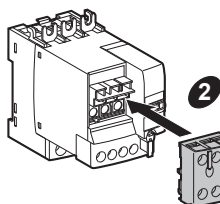
A

LUB... + LU2M...

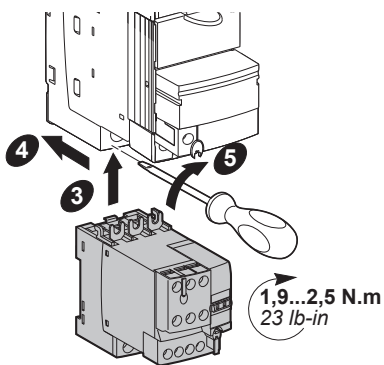
LU2M...



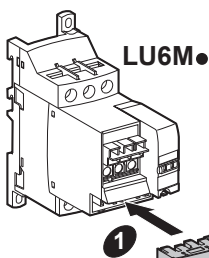
LU9M1



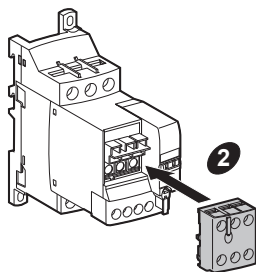
LU9MR1



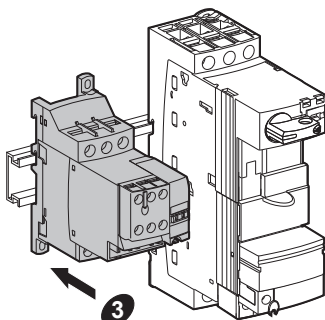
LUB... + LU6M...



LU9M1

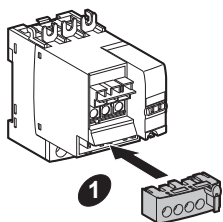


LU9MR1

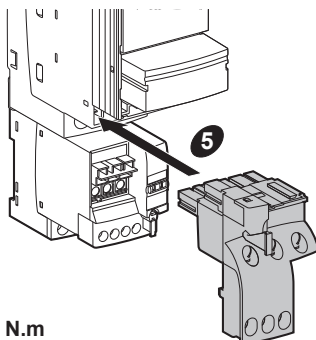
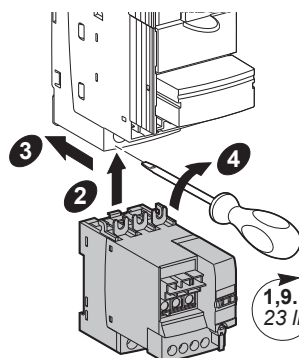


LUB...0 + LU2M...

LU2M...



LU9M1



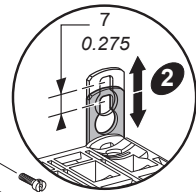
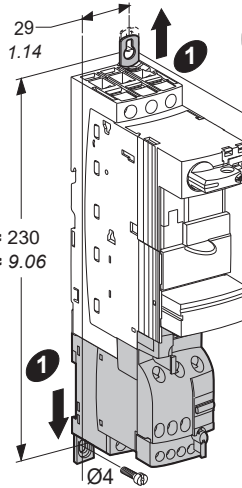
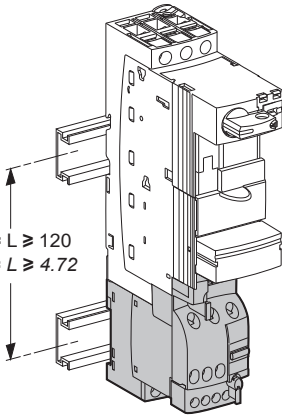
LU9MR1C

B

LU2B●
LUB●● + LU2M●
LUB●●0 + LU2M●

mm
in

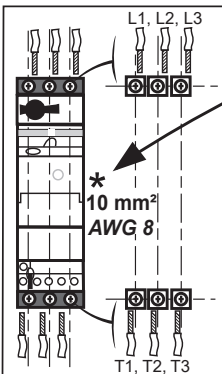
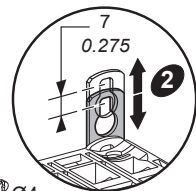
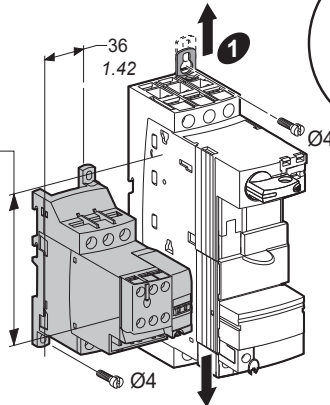
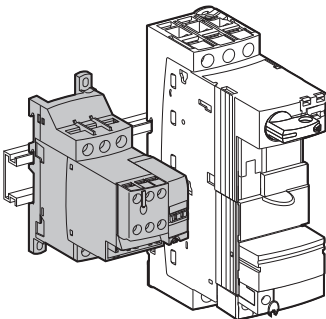
$125 \geq L \geq 120$
 $4.92 \geq L \geq 4.72$



LUB●● + LU6M●

mm
in

104 ± 3
 4.09 ± 0.12

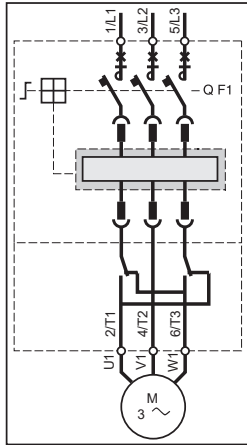


	mm ² AWG	mm ² AWG	mm ² AWG	mm ² AWG	mm ² AWG	mm ² AWG		N.m lb-in	
	1...6 18...10	1...6 18...10	2,5...10 14...8	1,5...6 16...10	1...10 18...8	1...6 18...10	Ø 6 Phillips N° 2	1,9...2,5 23	Ø 4
	0,34...1,5 22...16	0,75...1,5 18...16	0,75...1,5 18...16	0,75...1,5 18...16	0,75...1,5 18...16	0,75...1,5 18...16	Ø 5 Phillips N° 1	0,8...1,2 10	Ø 3

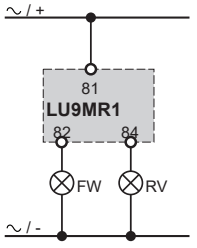
i

Terminals B1 and B3 are at the same electrical potential as terminals A1 and A3 respectively.
 Les bornes B1 et B3 sont respectivement au même potentiel électrique que les bornes A1 et A3.
 Los bornes B1 y B3 tienen respectivamente el mismo potencial eléctrico que los bornes A1 y A3.
 Die Klemmen B1 und B3 liegen jeweils am selben elektrischen Potential wie die Klemmen A1 und A3.
 I terminali B1 e B3 sono rispettivamente allo stesso potenziale elettrico dei terminali A1 e A3.
 Клеммы В1 и В3 находятся под таким же напряжением, что и клеммы А1 и А3 соответственно.
 接线端子B1和B3分别与接线端子A1和A3等势。

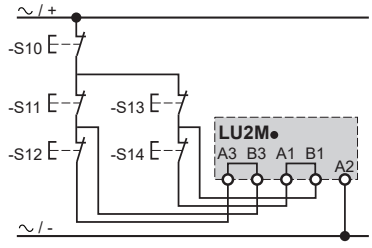
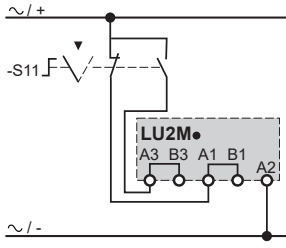
C



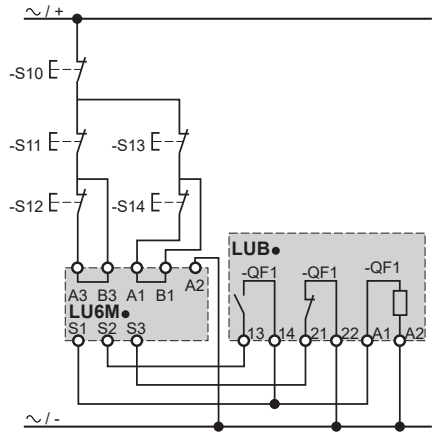
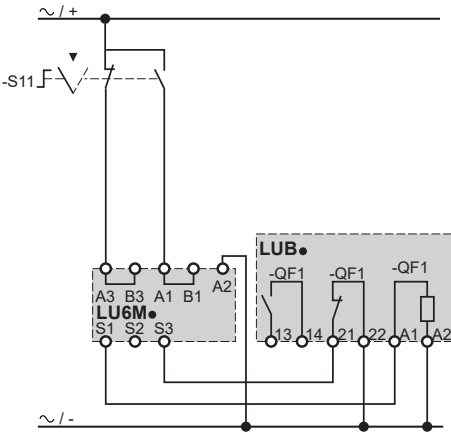
LU9MR1



LU2M●



LU6M●





SCATTERGOOD & JOHNSON LTD

ELECTRICAL ENGINEERING & FLUID CONTROL DISTRIBUTORS

Est.1899

At Scattergood & Johnson Ltd, we pride ourselves on being a technical distributor to specialist industries.

Working with a range of quality product suppliers across a number of specialist markets, we are not your average 'box shifter' - we are your technical and supply chain partner.

We fully support every product we sell - for free! Our internal team and external sales engineers can answer any product or application question, no matter the complexity.

Backing up this technical ability is a range of 50,000+ products available from stock for nationwide next day delivery (same day if required!), or you can collect what you need from any of our trade counters around the UK.

Select your specialist interest below to learn more about how we can help.



Online, In Branch and On the Road - Scattergood & Johnson Ltd, there when you need us.

www.scatts.co.uk