

# LU9AP00/LU9AP11/LU9AP12

www.schneider-electric.com

## ⚠ DANGER / PELIGRO / DANGER



### HAZARD OF ELECTRIC SHOCK, EXPLOSION, OR ARC FLASH

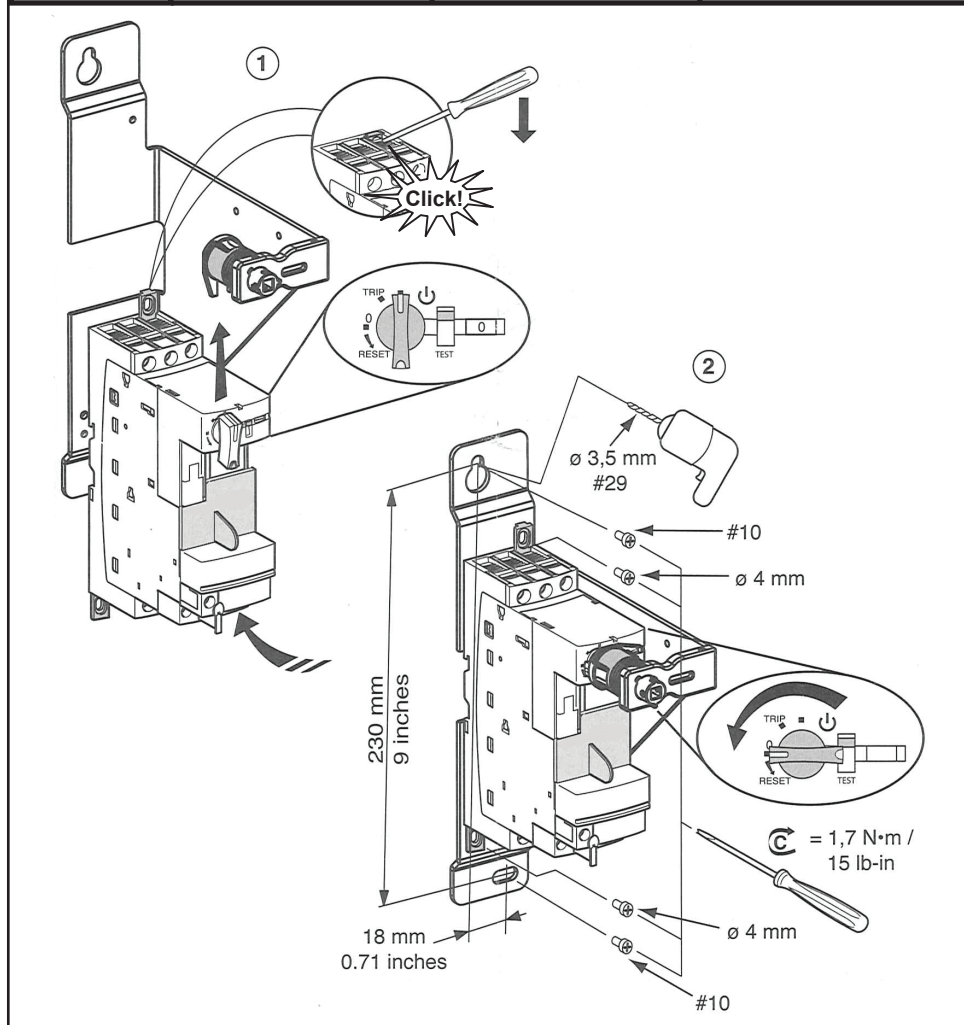
Disconnect all power before servicing equipment.  
**Failure to follow these instructions will result in death or serious injury.**

### PELIGRO DE DESCARGA ELÉCTRICA, EXPLOSIÓN O ARCO ELÉCTRICO

Desconecte todas las alimentaciones antes de manipular el producto.  
**Si no se siguen estas instrucciones provocará lesiones graves o incluso la muerte.**

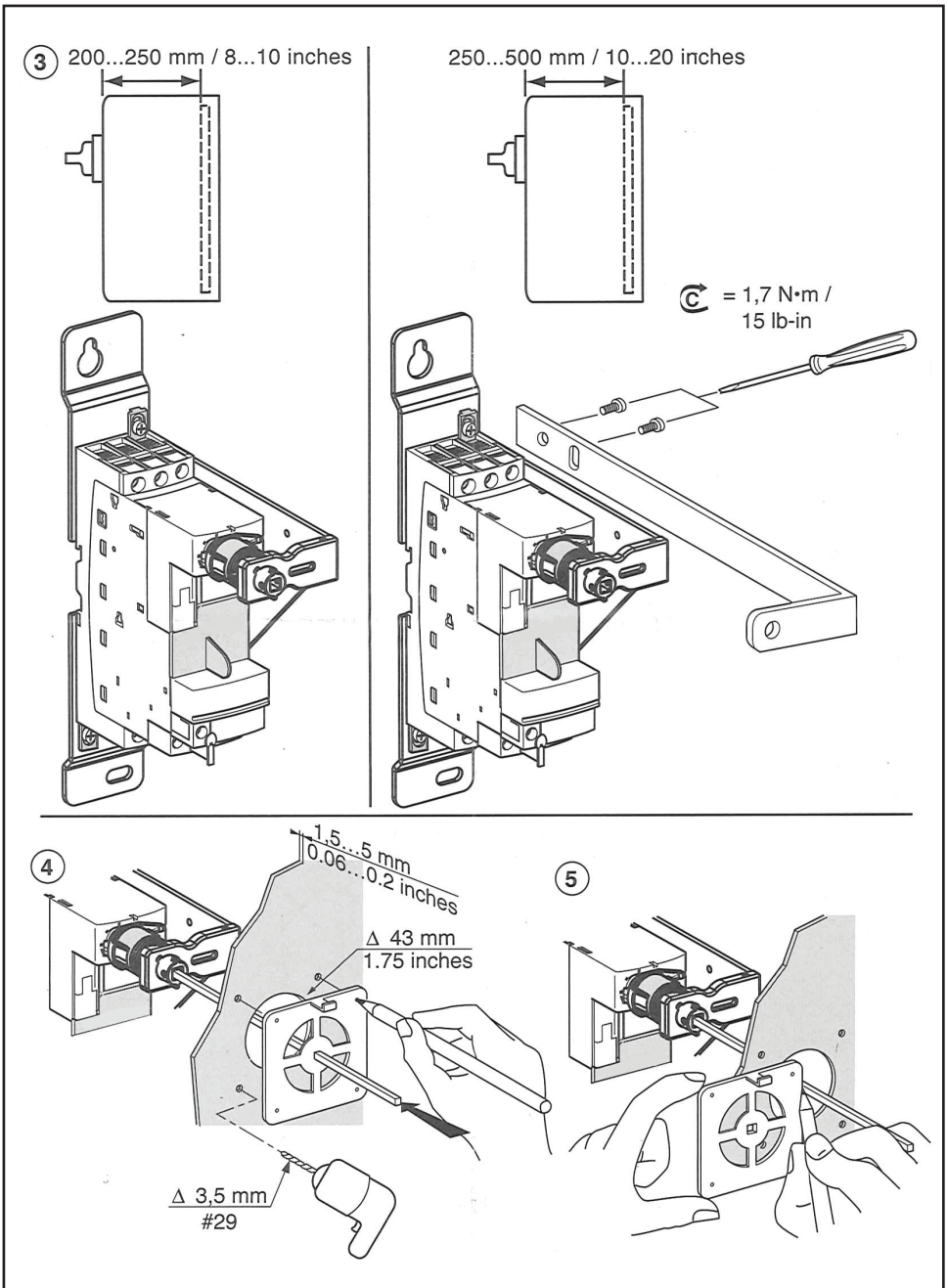
### RISQUE D'ÉLECTROCUTION, D'EXPLOSION OU D'ARC ÉLECTRIQUE

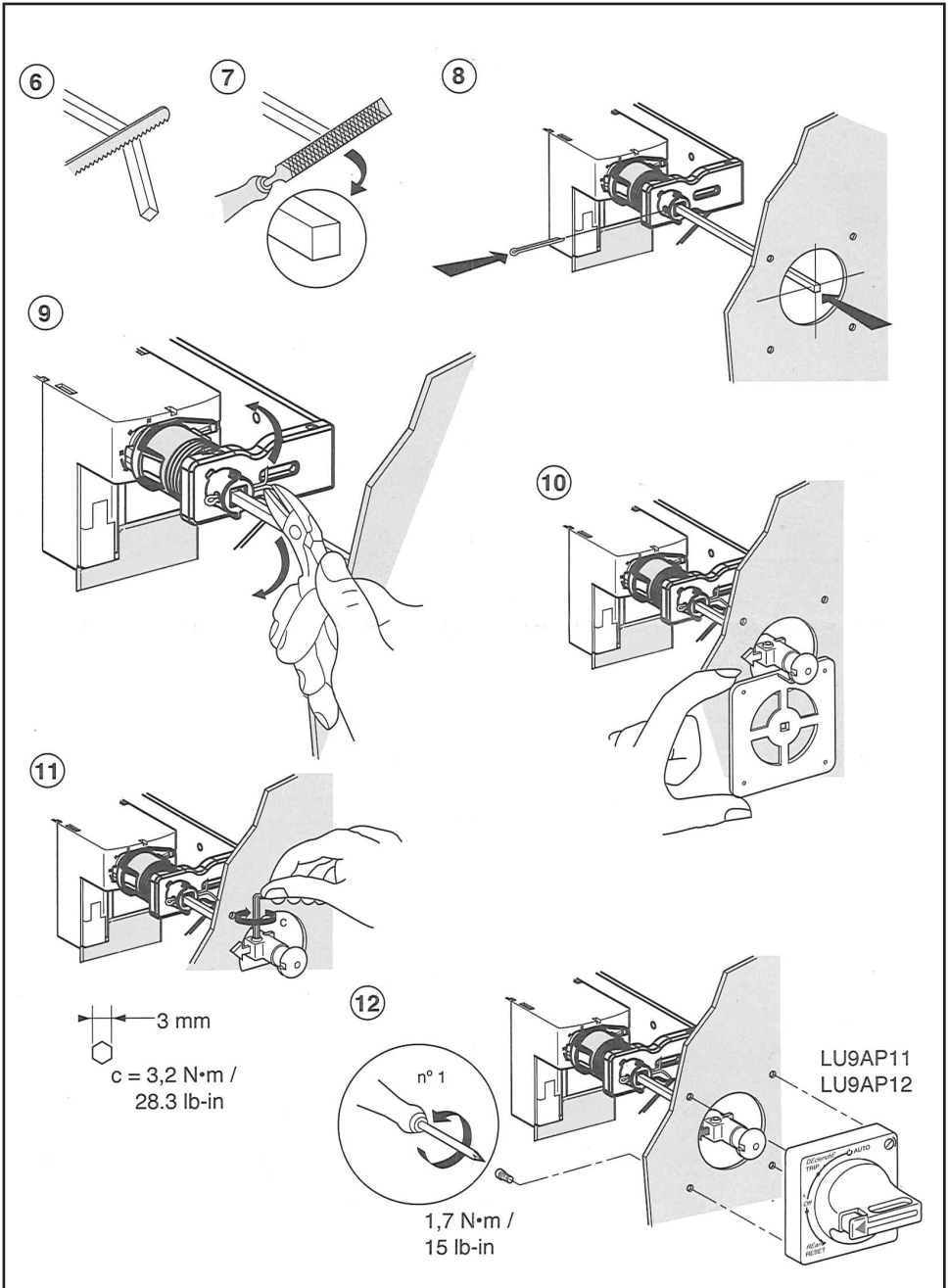
Coupez toutes les alimentations avant de travailler sur cet appareil.  
**Le non-respect de ces instructions provoquera la mort ou des blessures graves.**

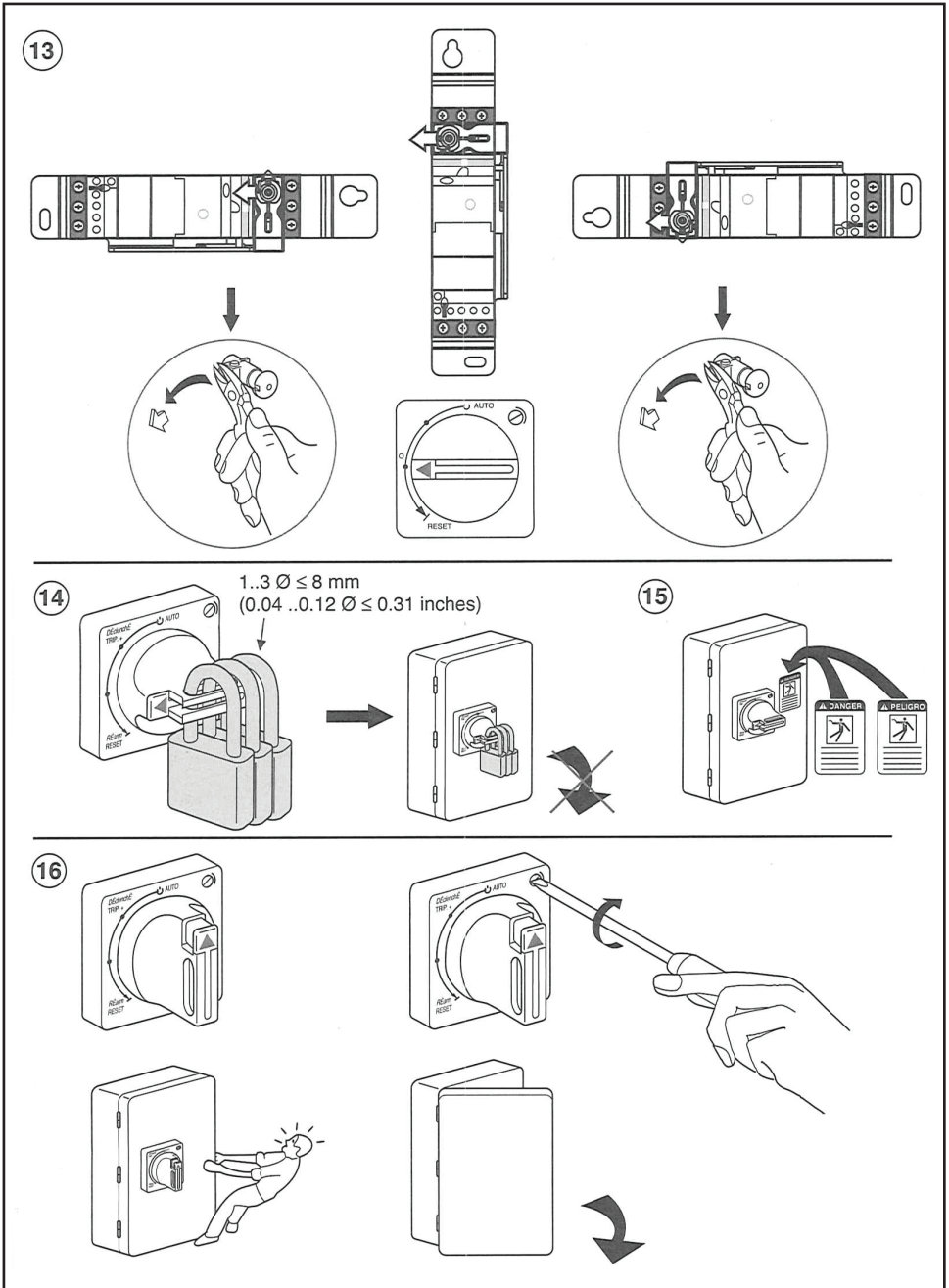


S1A21703-00  
 10 - 2009  
 1/4











# SCATTERGOOD & JOHNSON LTD

ELECTRICAL ENGINEERING & FLUID CONTROL DISTRIBUTORS

Est.1899

At Scattergood & Johnson Ltd, we pride ourselves on being a technical distributor to specialist industries.

Working with a range of quality product suppliers across a number of specialist markets, we are not your average 'box shifter' - we are your technical and supply chain partner.

We fully support every product we sell - for free! Our internal team and external sales engineers can answer any product or application question, no matter the complexity.

Backing up this technical ability is a range of 50,000+ products available from stock for nationwide next day delivery (same day if required!), or you can collect what you need from any of our trade counters around the UK.

Select your specialist interest below to learn more about how we can help.



Online, In Branch and On the Road - Scattergood & Johnson Ltd, there when you need us.

# [www.scatts.co.uk](http://www.scatts.co.uk)