

Data sheet

RS 70 RF RS 70 RE/A4/O.BEZ OR

Weidmüller Interface GmbH & Co. KG

Klingenbergstraße 26

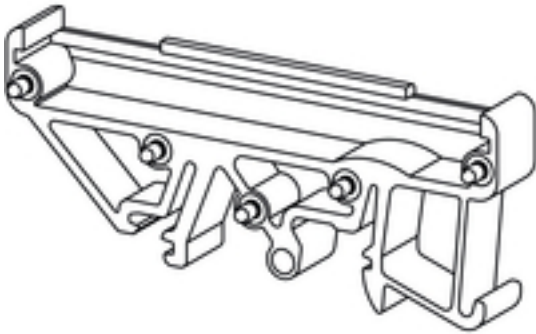
D-32758 Detmold

Germany

Fon: +49 5231 14-0

Fax: +49 5231 14-292083

www.weidmueller.com



The RS 70 profile is supplied in fixed lengths. The desired length is obtained by connecting the individual pieces together. The PCB is pushed into the side of the profile. End cover plates close off the sides of the profile.. Elements for terminal rails and direct mounting are available here. The clip-on feet are permanently attached to the profile. Marking options are integrated into the side pieces.

General ordering data

Type	RF RS 70 RE/A4/O.BEZ OR
Order No.	0126260000
Version	Clip-in foot, RS 70 orange, Clip-in foot, Width: 10 mm
GTIN (EAN)	4008 190178772
Qty.	20 pc(s).

Creation date 20 April 2020 16:07:25 CEST

Catalogue status 17.04.2020 / We reserve the right to make technical changes.

Data sheet

RS 70 RF RS 70 RE/A4/O.BEZ OR

Weidmüller Interface GmbH & Co. KG
 Klingenbergstraße 26
 D-32758 Detmold
 Germany
 Fon: +49 5231 14-0
 Fax: +49 5231 14-292083
 www.weidmueller.com

Technical data

Dimensions and weights

Length	70 mm	Length (inches)	2.756 inch
Width	10 mm	Width (inches)	0.394 inch
Height	33.5 mm	Height (inches)	1.319 inch
Height of lowest version	32 mm	Net weight	5.554 g

System characteristics

Version	Clip-in foot	Number of PCBs per module	1
PCB thickness	1.6 mm	Tolerance for the PCB shape	±0.2
Cross-connection	No	Contact to terminal rail	No
Protection degree	IP20	Encapsulation option	No

Material data

Insulating material	PA 66	Colour	orange
Colour chart (similar)	RAL 2000	Comparative Tracking Index (CTI)	≥ 600
UL 94 flammability rating	V-2	Storage temperature, min.	-25 °C
Storage temperature, max.	55 °C	Max. relative humidity during storage	80 %
Operating temperature, min.	-50 °C	Operating temperature, max.	100 °C
Temperature range, installation, min.	-25 °C	Temperature range, installation, max.	100 °C

Classifications

ETIM 6.0	EC002779	ETIM 7.0	EC002779
eClass 9.0	27-18-27-90	eClass 9.1	27-18-27-90
eClass 10.0	27-18-27-92	UNSPSC	30-21-18-01

Approvals

ROHS	Conform
------	---------

Downloads

Brochure/Catalogue	FL ANALO.SIGN.CONV. EN MB DEVICE MANUF. EN CAT 2 PORTFOLIOGUIDE EN FL MACHINE SAFETY EN FL 72H SAMPLE SER EN PO OMNIMATE EN
Engineering Data	EPLAN
Engineering Data	STEP

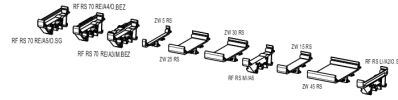
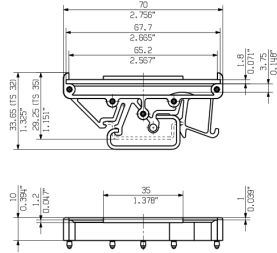
Data sheet

**RS 70
RF RS 70 RE/A4/O.BEZ OR**

Weidmüller Interface GmbH & Co. KG
 Klingenbergstraße 26
 D-32758 Detmold
 Germany
 Fon: +49 5231 14-0
 Fax: +49 5231 14-292083
 www.weidmueller.com

Drawings

LOCKING-FOOT RIGHT





SCATTERGOOD & JOHNSON LTD

ELECTRICAL ENGINEERING & FLUID CONTROL DISTRIBUTORS

Est.1899

At Scattergood & Johnson Ltd, we pride ourselves on being a technical distributor to specialist industries.

Working with a range of quality product suppliers across a number of specialist markets, we are not your average 'box shifter' - we are your technical and supply chain partner.

We fully support every product we sell - for free! Our internal team and external sales engineers can answer any product or application question, no matter the complexity.

Backing up this technical ability is a range of 50,000+ products available from stock for nationwide next day delivery (same day if required!), or you can collect what you need from any of our trade counters around the UK.

Select your specialist interest below to learn more about how we can help.



Online, In Branch and On the Road - Scattergood & Johnson Ltd, there when you need us.

www.scatts.co.uk