

## Data sheet

### maxGUARD AMG AM

**Weidmüller Interface GmbH & Co. KG**

Klingenbergstraße 26

D-32758 Detmold

Germany

Fon: +49 5231 14-0

Fax: +49 5231 14-292083

www.weidmueller.com



Similar to illustration

Efficient machine and facility operation calls for fail-safe and maintenance-friendly control voltage distribution that can be installed in a time and space-saving manner.

With the new maxGUARD system, the terminal blocks (previously installed separately) for distributing potential to the outputs of the electronic load monitors become an integral part of a 24 V DC control voltage distribution system.

The innovative combination of load monitoring and potential distribution saves time during installation, increases safety against failure and reduces the amount of space required on the terminal rail by 50%.

#### General ordering data

Type	AMG AM
Order No.	<a href="#">2081890000</a>
Version	Alarm module, 24 V DC
GTIN (EAN)	4050118419337
Qty.	1 pc(s).

Creation date 21 April 2020 10:53:31 CEST

Catalogue status 17.04.2020 / We reserve the right to make technical changes.

## Data sheet

### maxGUARD AMG AM

**Weidmüller Interface GmbH & Co. KG**

Klingenbergstraße 26

D-32758 Detmold

Germany

Fon: +49 5231 14-0

Fax: +49 5231 14-292083

www.weidmueller.com

## Technical data

### Dimensions and weights

Width	12.2 mm	Width (inches)	0.48 inch
Height	125 mm	Height (inches)	4.921 inch
Depth	96.5 mm	Depth (inches)	3.799 inch
Net weight	56 g		

### Temperatures

Operating temperature, max.	55 °C	Operating temperature, min.	-25 °C
Storage temperature, max.	85 °C	Storage temperature, min.	-40 °C
Operating temperature	-25 °C...55 °C	Storage temperature	-40 °C...85 °C

### Probability of failure

MTTF	550 Years
------	-----------

### Environmental Product Compliance

REACH SVHC	Lead 7439-92-1
------------	----------------

### Input

Current consumption (full load)	30 mA	Current consumption (idle)	25 mA
DC input voltage range	18...30 V DC	Input fuse (internal)	No
Rated input voltage	24 V DC	Surge protection	Suppressor diode
max. admissible residual ripple at the input	100 mVpp		

### Output

Connection system	PUSH IN	Surge protection	Suppressor diode
-------------------	---------	------------------	------------------

### General data

Conformal coating	No	Control inputs	No
Operating temperature	-25 °C...55 °C	Protection degree	IP20
Surge protection input, bus	Suppressor diode	Surge voltage category	III

### Insulation coordination

Surge voltage category	III
------------------------	-----

### Connection data (output)

Conductor cross-section, AWG/kcmil , max.	12	Conductor cross-section, AWG/kcmil , min.	26
Conductor cross-section, flexible , max.	2.5 mm <sup>2</sup>	Conductor cross-section, flexible , min.	0.14 mm <sup>2</sup>
Conductor cross-section, rigid , max.	2.5 mm <sup>2</sup>	Conductor cross-section, rigid , min.	0.14 mm <sup>2</sup>
Connection system	PUSH IN	Number of terminals	4 (2 x NO)
Screwdriver blade	0.6 x 3.5		

### Connection data (signal)

Wire connection cross-section, flexible (signal), max.	2.5 mm <sup>2</sup>
--	---------------------

Creation date 21 April 2020 10:53:31 CEST

Catalogue status 17.04.2020 / We reserve the right to make technical changes.

## Data sheet

### maxGUARD AMG AM

**Weidmüller Interface GmbH & Co. KG**  
 Klingenbergstraße 26  
 D-32758 Detmold  
 Germany  
 Fon: +49 5231 14-0  
 Fax: +49 5231 14-292083  
 www.weidmueller.com

## Technical data

### Signalling

Floating contact	Yes	Red LED	Alarm
Status relay (max. load)	Alarm (24 V / 0.1 A), I > 90 % (24 V / 0,1 A)	Transistor output, positive-switching	Pre-warning, Alarm
Yellow LED	Current > 90% Inom (flashing)		

### Approvals

Institute (cULus)



Certificate no. (cULus)

E258476

### Classifications

ETIM 6.0	EC002057	ETIM 7.0	EC002057
eClass 9.0	27-37-10-16	eClass 9.1	27-37-10-16
eClass 10.0	27-37-10-16		

### Approvals

Approvals



ROHS

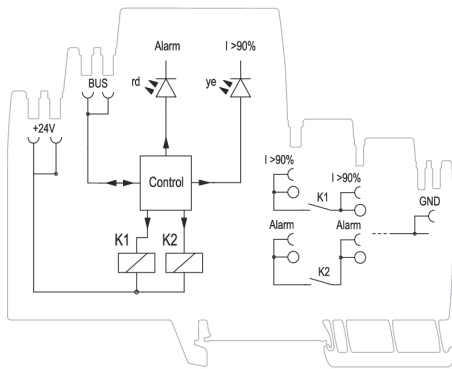
Conform

### Downloads

Approval/Certificate/Document of Conformity	<a href="#">Declaration of Conformity</a>
Engineering Data	<a href="#">EPLAN, WSCAD, Zuken E3.S</a>
Engineering Data	<a href="#">STEP</a>
User Documentation	<a href="#">Manual maxGUARD</a> <a href="#">Operating instructions</a>

**Data sheet****maxGUARD  
AMG AM**

**Weidmüller Interface GmbH & Co. KG**  
Klingenbergstraße 26  
D-32758 Detmold  
Germany  
Fon: +49 5231 14-0  
Fax: +49 5231 14-292083  
www.weidmueller.com

**Drawings**

Schematic circuit diagram



# SCATTERGOOD & JOHNSON LTD

ELECTRICAL ENGINEERING & FLUID CONTROL DISTRIBUTORS

Est.1899

At Scattergood & Johnson Ltd, we pride ourselves on being a technical distributor to specialist industries.

Working with a range of quality product suppliers across a number of specialist markets, we are not your average 'box shifter' - we are your technical and supply chain partner.

We fully support every product we sell - for free! Our internal team and external sales engineers can answer any product or application question, no matter the complexity.

Backing up this technical ability is a range of 50,000+ products available from stock for nationwide next day delivery (same day if required!), or you can collect what you need from any of our trade counters around the UK.

Select your specialist interest below to learn more about how we can help.



Online, In Branch and On the Road - Scattergood & Johnson Ltd, there when you need us.

# [www.scatts.co.uk](http://www.scatts.co.uk)