

## Data sheet

### OMNIMATE Housing - TERMINALBOX AP MCZ1.5 1674

**Weidmüller Interface GmbH & Co. KG**  
 Klingenbergstraße 26  
 D-32758 Detmold  
 Germany  
 Fon: +49 5231 14-0  
 Fax: +49 5231 14-292083  
 www.weidmueller.com

### Product image



The MCZ R relay couplers, with a width of only 6 mm, are the thinnest in their class.

They are distinguished by the following features:

- Tension clamp connection
- Integrated cross-connection in input/output.  
Clampable conductor cross-section is 0.5 to 1.5 mm<sup>2</sup>

### General ordering data

Type	AP MCZ1.5 1674
Order No.	<a href="#">8389030000</a>
Version	End plate, OMNIMATE Housing - TERMINALBOX grey-beige, End plate, Width: 1.5 mm
GTIN (EAN)	4008 190386849
Qty.	50 pc(s).

Creation date 21 April 2020 17:08:59 CEST

Catalogue status 17.04.2020 / We reserve the right to make technical changes.

## Data sheet

### OMNIMATE Housing - TERMINALBOX AP MCZ1.5 1674

**Weidmüller Interface GmbH & Co. KG**  
Klingenbergstraße 26  
D-32758 Detmold  
Germany  
Fon: +49 5231 14-0  
Fax: +49 5231 14-292083  
www.weidmueller.com

## Technical data

### Dimensions and weights

Length	91 mm	Length (inches)	3.583 inch
Width	1.5 mm	Width (inches)	0.059 inch
Height	55.85 mm	Height (inches)	2.199 inch
Net weight	5.961 g		

### Temperatures

Operating temperature, max.	120 °C	Operating temperature, min.	-50 °C
Storage temperature, max.	55 °C	Storage temperature, min.	-25 °C
Temperature range, installation, min.	-25 °C	Temperature range, installation, max.	120 °C

### General data

Version	End plate	Colour	grey-beige
UL 94 flammability rating	V-0		

### Insulation coordination

Insulating material group	IIIa	Protection degree	IP20
---------------------------	------	-------------------	------

### Classifications

ETIM 6.0	EC000886	ETIM 7.0	EC000886
eClass 9.1	27-14-11-33	eClass 10.0	27-14-11-33
UNSPSC	30-21-18-27		

### Approvals

Approvals



ROHS Conform

### Downloads

Brochure/Catalogue	<a href="#">FL ANALO.SIGN.CONV. EN</a> <a href="#">MB DEVICE MANUF. EN</a> <a href="#">CAT 4.1 ELECTR 16/17 EN</a> <a href="#">CAT 4.2 ELECTR 18/19 EN</a> <a href="#">CAT 2 PORTFOLIOGUIDE EN</a> <a href="#">FL MACHINE SAFETY EN</a> <a href="#">FL 72H SAMPLE SER EN</a> <a href="#">PO OMNIMATE EN</a>
Engineering Data	<a href="#">WSCAD, Zuken E3.S</a>
Engineering Data	<a href="#">STEP</a>

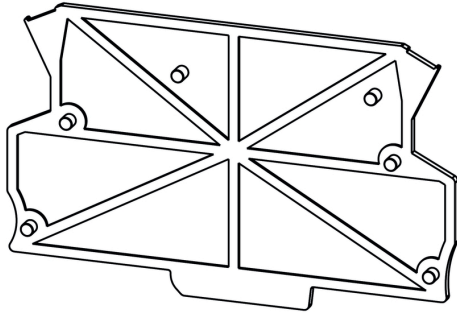
Creation date 21 April 2020 17:08:59 CEST

**Data sheet**

**OMNIMATE Housing - TERMINALBOX  
AP MCZ1.5 1674**

**Weidmüller Interface GmbH & Co. KG**  
Klingenbergstraße 26  
D-32758 Detmold  
Germany  
Fon: +49 5231 14-0  
Fax: +49 5231 14-292083  
[www.weidmueller.com](http://www.weidmueller.com)

**Drawings**





# SCATTERGOOD & JOHNSON LTD

ELECTRICAL ENGINEERING & FLUID CONTROL DISTRIBUTORS

Est.1899

At Scattergood & Johnson Ltd, we pride ourselves on being a technical distributor to specialist industries.

Working with a range of quality product suppliers across a number of specialist markets, we are not your average 'box shifter' - we are your technical and supply chain partner.

We fully support every product we sell - for free! Our internal team and external sales engineers can answer any product or application question, no matter the complexity.

Backing up this technical ability is a range of 50,000+ products available from stock for nationwide next day delivery (same day if required!), or you can collect what you need from any of our trade counters around the UK.

Select your specialist interest below to learn more about how we can help.



Online, In Branch and On the Road - Scattergood & Johnson Ltd, there when you need us.

# [www.scatts.co.uk](http://www.scatts.co.uk)