

## Data sheet

### Pressing tool PZ 4

**Weidmüller Interface GmbH & Co. KG**  
 Klingenbergstraße 26  
 D-32758 Detmold  
 Germany  
 Fon: +49 5231 14-0  
 Fax: +49 5231 14-292083  
 www.weidmueller.com



#### Crimping tools for wire end ferrules, with and without plastic collars

- Ratchet guarantees precise crimping
- Release option in the event of incorrect operation

#### General ordering data

Type	PZ 4
Order No.	<a href="#">9012500000</a>
Version	Pressing tool, Crimping tool for wire-end ferrules, 0.5mm <sup>2</sup> , 4mm <sup>2</sup> , Trapezoidal crimp
GTIN (EAN)	4008 190090920
Qty.	1 pc(s).

Creation date 22 April 2020 10:24:24 CEST

## Data sheet

### Pressing tool PZ 4

**Weidmüller Interface GmbH & Co. KG**  
 Klingenbergstraße 26  
 D-32758 Detmold  
 Germany  
 Fon: +49 5231 14-0  
 Fax: +49 5231 14-292083  
 www.weidmueller.com

## Technical data

### Dimensions and weights

Width	200 mm	Width (inches)	7.874 inch
Weight	448 g	Net weight	425.6 g

### Environmental Product Compliance

REACH SVHC	Lead 7439-92-1
------------	----------------

### Technical data

Version	Mechanical, without interchangeable inserts
---------	---------------------------------------------

### Description of contact

Type of contact	Wire-end ferrules with/without plastic collars	Crimping range, min.	0.5 mm <sup>2</sup>
Crimping range, max.	4 mm <sup>2</sup>	Conductor cross-section, max. AWG	AWG 12
Conductor cross-section, min. AWG	AWG 21		

### tool data crimping

Crimping type/profile	Trapezoidal crimp	Wire end ferrules cross-section, min.	0.5 mm <sup>2</sup>
Wire end ferrules cross-section, max.	4 mm <sup>2</sup>		

### Classifications

ETIM 6.0	EC000168	ETIM 7.0	EC000168
eClass 9.0	21-04-38-11	eClass 9.1	21-04-38-11
eClass 10.0	21-04-38-11	UNSPSC	31-16-31-02

### Approvals

Approvals

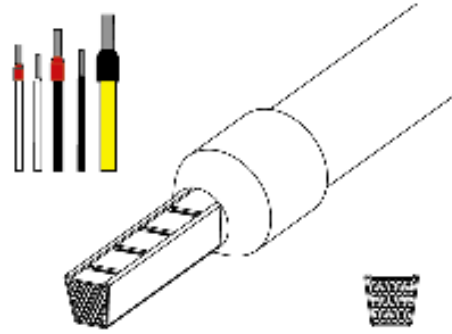


### Downloads

Brochure/Catalogue	<a href="#">CAT 6 TOOLS 15/16 EN</a>
Engineering Data	<a href="#">WSCAD</a>
User Documentation	<a href="#">Manual</a>

**Data sheet****Pressing tool  
PZ 4**

**Weidmüller Interface GmbH & Co. KG**  
Klingenbergstraße 26  
D-32758 Detmold  
Germany  
Fon: +49 5231 14-0  
Fax: +49 5231 14-292083  
[www.weidmueller.com](http://www.weidmueller.com)

**Drawings**



# SCATTERGOOD & JOHNSON LTD

ELECTRICAL ENGINEERING & FLUID CONTROL DISTRIBUTORS

Est.1899

At Scattergood & Johnson Ltd, we pride ourselves on being a technical distributor to specialist industries.

Working with a range of quality product suppliers across a number of specialist markets, we are not your average 'box shifter' - we are your technical and supply chain partner.

We fully support every product we sell - for free! Our internal team and external sales engineers can answer any product or application question, no matter the complexity.

Backing up this technical ability is a range of 50,000+ products available from stock for nationwide next day delivery (same day if required!), or you can collect what you need from any of our trade counters around the UK.

Select your specialist interest below to learn more about how we can help.



Online, In Branch and On the Road - Scattergood & Johnson Ltd, there when you need us.

# [www.scatts.co.uk](http://www.scatts.co.uk)