

DTS 3161 (NEMA 3R/4) | DTS 3181 (NEMA 4/4X) COOLING UNITS 1140–1235 W

- compact design, ideal for small control cabinets and larger control cabinets for the cooling of hot spots
- suitable for the food and beverage industry and outdoor applications
- maintains a UL tested NEMA type 3R/4 seal against the enclosure
- high protection system IP 56, maintenance-free
- condenser with 3 mm fin spacing, highly effective protection against strongly contaminated ambient air
- integrated condensate evaporation system
- fully coated heat-exchangers and tubing
- suitable for 400 mm enclosures



PRODUCT		DTS 3161 (NEMA 3R/4)			DTS 3181 (NEMA 4/4X)			UNIT
ARTICLE NO.	SC	13385436355	13385441355	13385444355	13385436158	13385441158	13385444158	
ARTICLE NO.	LAP ¹	13385436375	13385441375	13385444375	13385436178	13385441178	13385444178	

DATA								
Rated voltage ±10 %		AC 50 60		AC 60	AC 50 60		AC 60	Hz
		460 3~	230	115	460 3~	230	115	V
Cooling capacity according to EN 14511	A35/A35	1140 1200	1235	1200	1140 1200	1235	1200	W
	A35/A50	350	570	-	350	570	-	
Power consumption	A35/A35	1200	795	845	1200	795	845	A
Current consumption	A35/A35	2	4	7	2	4	7	
Starting current	A35/A35	15	10	15	15	10	15	
Unimpeded airflow (free flow)	internal	300						m³/h
	external	190						
Pre fuse T		15						A
Type of connection		Pluggable connection included with plug						
Noise level according to EN ISO 3741		< 70						dB (A)
Weight (without packaging)		42	40		44		42	kg
Ambient temperature	SC	0 ... +55 + 32 ... + 131						°C °F
	LAP	- 40 ... + 55 - 40 ... + 131						
Control range (adjustable)		+ 25 ... + 45 + 77 ... + 113; factory setting + 35 + 95						
Refrigerant	R134a	400						g
Duty cycle		100						%
Condensate management		integrated condensate evaporation system with safety overflow						
Protection system according to NEMA type	3R/4	towards the electrical enclosure if used as intended by the manufacturer			-			
	4/4X	-			towards the electrical enclosure if used as intended by the manufacturer			
	1	towards the surroundings if used as intended by the manufacturer						
Design	housing	galvanised sheet steel			galvanised sheet steel			
	cover	galvanised electrostatically powder coated (200 °C)			stainless steel 304			
Colour		RAL 7035 different colours available on request						

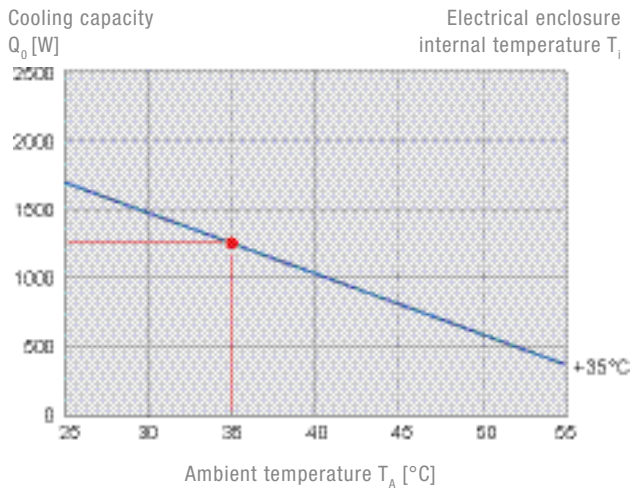
¹ LAP (Low Ambient Package): includes 900 W enclosure heater and a thermostat to be placed inside the enclosure. For additional information to ensure the accurate setting of the motor protection switch, please see technical specific data sheet. This information is included with the delivery of the unit or can be found at www.pfannenber.com.

ACCESSORIES	Piece	ARTICLE NUMBER
Condensate bottle	1	18314000100
Filter kit	1	18881500009

For additional models, options and voltages visit www.pfannenberg.com or contact us directly.



Cooling capacity performance curves

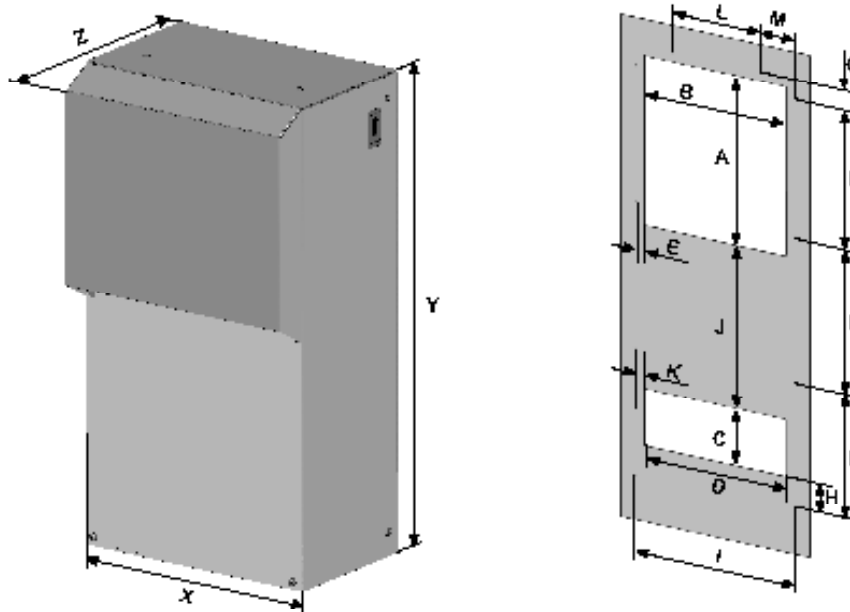


Dimensions

	X	Y	Z	A	B	C	D	E	F	G	H	I	J	K	L	M
mm	395	748	237	300	310	130	292	25	228.6	38.1	7	360	265	34	200	80

Mounting holes \varnothing 8 mm

DTS 3161 | DTS 3181





SCATTERGOOD & JOHNSON LTD

ELECTRICAL ENGINEERING & FLUID CONTROL DISTRIBUTORS

Est.1899

At Scattergood & Johnson Ltd, we pride ourselves on being a technical distributor to specialist industries.

Working with a range of quality product suppliers across a number of specialist markets, we are not your average 'box shifter' - we are your technical and supply chain partner.

We fully support every product we sell - for free! Our internal team and external sales engineers can answer any product or application question, no matter the complexity.

Backing up this technical ability is a range of 50,000+ products available from stock for nationwide next day delivery (same day if required!), or you can collect what you need from any of our trade counters around the UK.

Select your specialist interest below to learn more about how we can help.



Online, In Branch and On the Road - Scattergood & Johnson Ltd, there when you need us.

www.scatts.co.uk