

DTS 3165 (NEMA 3R/4) | DTS 3185 (NEMA 4/4X) COOLING UNITS 1948–2050 W

- suitable for the food and beverage industry and outdoor applications
- high protection system IP 56, maintenance-free
- maintains a UL tested NEMA type 3R/4 seal against the enclosure
- condenser with 3 mm fin spacing, highly effective protection against strongly contaminated ambient air
- large distance between intake and exhaust vents, safe circulation within the electrical enclosure due to long passage of air, therefore hot spots are eliminated
- integrated condensate evaporation system
- fully coated heat-exchangers and tubing
- suitable for 400 mm enclosures



| PRODUCT | | DTS 3165 (NEMA 3R/4) | | DTS 3185 (NEMA 4/4X) | | UNIT |
|-------------|------------------|----------------------|-------------|----------------------|-------------|------|
| ARTICLE NO. | SC | 13383636355 | 13383639355 | 13383636158 | 13383639158 | |
| ARTICLE NO. | LAP ¹ | 13383636375 | 13383639375 | 13383636178 | 13383639178 | |

| DATA | | | | | | |
|--|---|--|--------------|--|------|---------|
| Rated voltage ±10 % | AC 50 60 | | | | | Hz |
| | 400 460 3~ | 230 | 400 460 3~ | 230 | V | |
| Cooling capacity according to EN 14511 | A35/A35 | 1948 2050 | | | | W |
| | A35/A50 | 1045 | | | | |
| Power consumption | A35/A35 | 1283 | 1020 | 1283 | 1020 | A |
| Current consumption | A35/A35 | 1.8 | 4.9 | 1.8 | 4.9 | |
| Starting current | A35/A35 | 16 | 26 | 16 | 26 | |
| Unimpeded airflow (free flow) | internal | 580 | | | | m3/h |
| | external | 1200 | | | | |
| Pre fuse T | | 5 | 10 | 5 | 10 | A |
| Type of connection | Pluggable connection included with plug | | | | | |
| Noise level according to EN ISO 3741 | < 70 | | | | | dB (A) |
| Weight (without packaging) | 49 | | | | | kg |
| Ambient temperature | SC | 0 ... +55 + 32 ... + 131 | | | | °C °F |
| | LAP | - 40 ... + 55 / - 40 ... + 131 | | | | |
| Control range (adjustable) | + 25 ... + 45 + 77 ... + 113; factory setting + 35 + 95 | | | | | |
| Refrigerant | R134a | 750 | | | | g |
| Duty cycle | 100 | | | | | % |
| Condensate management | integrated condensate evaporation system with safety overflow | | | | | |
| Protection system according to NEMA type | 3R/4 | towards the electrical enclosure if used as intended by the manufacturer | | - | | |
| | 4/4X | - | | towards the electrical enclosure if used as intended by the manufacturer | | |
| | 1 | towards the surroundings if used as intended by the manufacturer | | | | |
| Design | housing | galvanised sheet steel | | galvanised sheet steel | | |
| | cover | galvanised electrostatically powder coated (200 °C) | | stainless steel 304 | | |
| Colour | RAL 7035 different colours available on request | | | | | - |

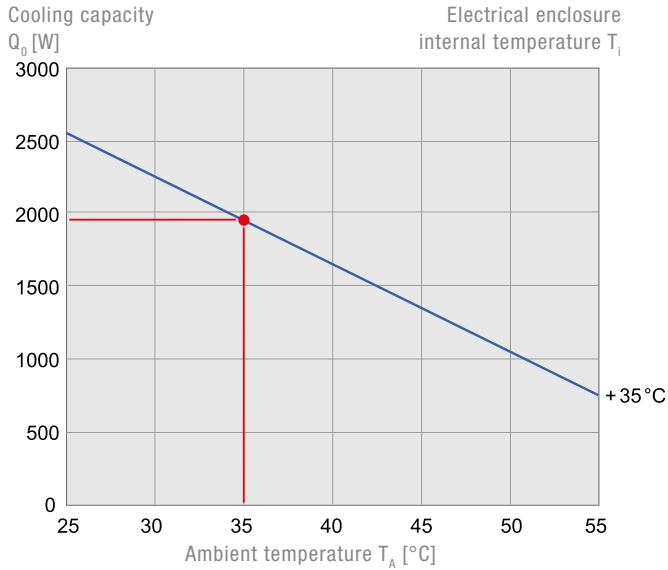
¹ LAP (Low Ambient Package): includes 900 W enclosure heater and a thermostat to be placed inside the enclosure. For additional information to ensure the accurate setting of the motor protection switch, please see technical specific data sheet. This information is included with the delivery of the unit or can be found at www.pfannenber.com.

| ACCESSORIES | Piece | ARTICLE NUMBER |
|-------------------|-------|----------------|
| Condensate bottle | 1 | 18314000100 |
| Filter kit | 1 | 18380000025 |

For additional models, options and voltages visit www.pfannenberg.com or contact us directly.



Cooling capacity performance curves

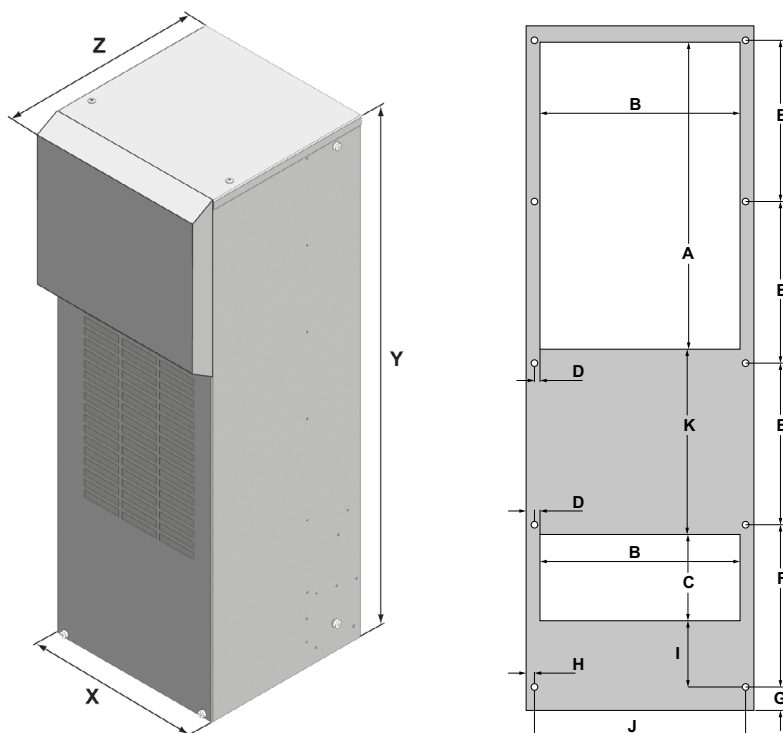


Dimensions

| | X | Y | Z | A | B | C | D | E | F | G | H | I | J | K |
|----|-----|-----|-----|-----|-----|-----|----|-----|-----|----|----|----|-----|-----|
| mm | 304 | 918 | 305 | 430 | 243 | 118 | 11 | 216 | 216 | 45 | 17 | 80 | 265 | 228 |

Mounting holes \varnothing 10 mm

DTS 3165 | DTS 3185



COOLING UNITS



SCATTERGOOD & JOHNSON LTD

ELECTRICAL ENGINEERING & FLUID CONTROL DISTRIBUTORS

Est.1899

At Scattergood & Johnson Ltd, we pride ourselves on being a technical distributor to specialist industries.

Working with a range of quality product suppliers across a number of specialist markets, we are not your average 'box shifter' - we are your technical and supply chain partner.

We fully support every product we sell - for free! Our internal team and external sales engineers can answer any product or application question, no matter the complexity.

Backing up this technical ability is a range of 50,000+ products available from stock for nationwide next day delivery (same day if required!), or you can collect what you need from any of our trade counters around the UK.

Select your specialist interest below to learn more about how we can help.



Online, In Branch and On the Road - Scattergood & Johnson Ltd, there when you need us.

www.scatts.co.uk