

DTS 3165 (NEMA 3R/4) | DTS 3185 (NEMA 4/4X) COOLING UNITS 1948–2050 W

- suitable for the food and beverage industry and outdoor applications
- high protection system IP 56, maintenance-free
- maintains a UL tested NEMA type 3R/4 seal against the enclosure
- condenser with 3 mm fin spacing, highly effective protection against strongly contaminated ambient air
- large distance between intake and exhaust vents, safe circulation within the electrical enclosure due to long passage of air, therefore hot spots are eliminated
- integrated condensate evaporation system
- fully coated heat-exchangers and tubing
- suitable for 400 mm enclosures



PRODUCT		DTS 3165 (NEMA 3R/4)		DTS 3185 (NEMA 4/4X)		UNIT
ARTICLE NO.	SC	13383636355	13383639355	13383636158	13383639158	
ARTICLE NO.	LAP ¹	13383636375	13383639375	13383636178	13383639178	

DATA						
Rated voltage ±10 %	AC 50 60					Hz
	400 460 3~	230	400 460 3~	230	V	
Cooling capacity according to EN 14511	A35/A35	1948 2050				W
	A35/A50	1045				
Power consumption	A35/A35	1283	1020	1283	1020	A
Current consumption	A35/A35	1.8	4.9	1.8	4.9	
Starting current	A35/A35	16	26	16	26	
Unimpeded airflow (free flow)	internal	580				m3/h
	external	1200				
Pre fuse T		5	10	5	10	A
Type of connection	Pluggable connection included with plug					
Noise level according to EN ISO 3741	< 70					dB (A)
Weight (without packaging)	49					kg
Ambient temperature	SC	0 ... +55 + 32 ... + 131				°C °F
	LAP	- 40 ... + 55 / - 40 ... + 131				
Control range (adjustable)	+ 25 ... + 45 + 77 ... + 113; factory setting + 35 + 95					
Refrigerant	R134a	750				g
Duty cycle	100					%
Condensate management	integrated condensate evaporation system with safety overflow					
Protection system according to NEMA type	3R/4	towards the electrical enclosure if used as intended by the manufacturer		-		
	4/4X	-		towards the electrical enclosure if used as intended by the manufacturer		
	1	towards the surroundings if used as intended by the manufacturer				
Design	housing	galvanised sheet steel		galvanised sheet steel		
	cover	galvanised electrostatically powder coated (200 °C)		stainless steel 304		
Colour	RAL 7035 different colours available on request					-

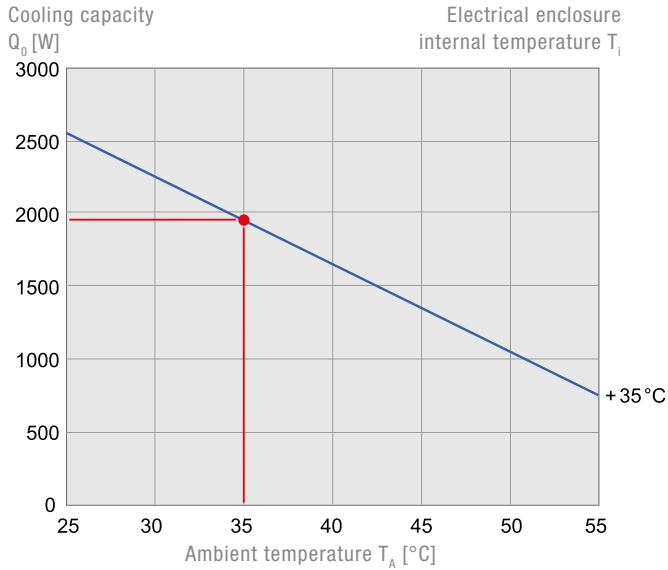
¹ LAP (Low Ambient Package): includes 900 W enclosure heater and a thermostat to be placed inside the enclosure. For additional information to ensure the accurate setting of the motor protection switch, please see technical specific data sheet. This information is included with the delivery of the unit or can be found at www.pfannenber.com.

ACCESSORIES	Piece	ARTICLE NUMBER
Condensate bottle	1	18314000100
Filter kit	1	18380000025

For additional models, options and voltages visit www.pfannenberg.com or contact us directly.



Cooling capacity performance curves

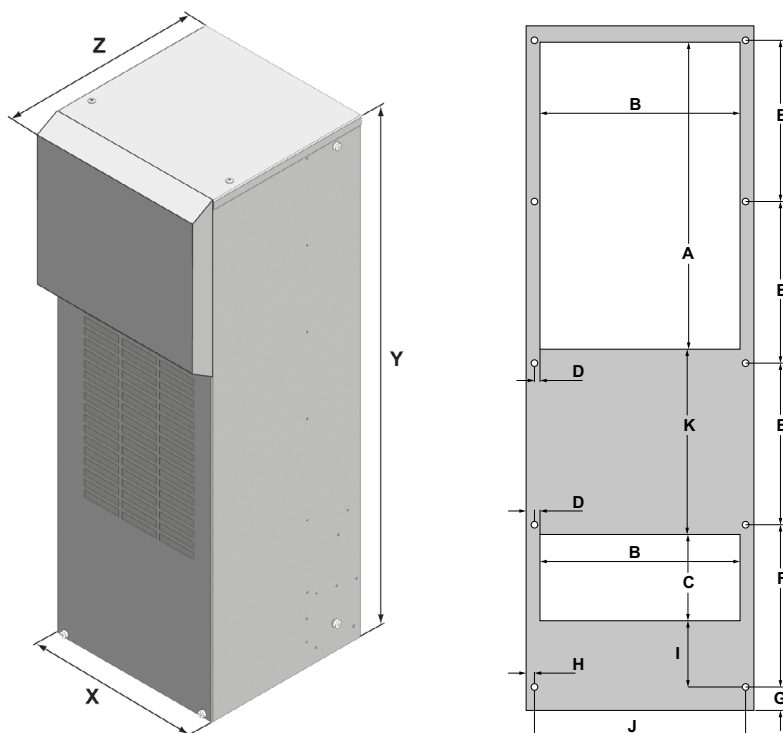


Dimensions

	X	Y	Z	A	B	C	D	E	F	G	H	I	J	K
mm	304	918	305	430	243	118	11	216	216	45	17	80	265	228

Mounting holes \varnothing 10 mm

DTS 3165 | DTS 3185



COOLING UNITS



SCATTERGOOD & JOHNSON LTD

ELECTRICAL ENGINEERING & FLUID CONTROL DISTRIBUTORS

Est.1899

At Scattergood & Johnson Ltd, we pride ourselves on being a technical distributor to specialist industries.

Working with a range of quality product suppliers across a number of specialist markets, we are not your average 'box shifter' - we are your technical and supply chain partner.

We fully support every product we sell - for free! Our internal team and external sales engineers can answer any product or application question, no matter the complexity.

Backing up this technical ability is a range of 50,000+ products available from stock for nationwide next day delivery (same day if required!), or you can collect what you need from any of our trade counters around the UK.

Select your specialist interest below to learn more about how we can help.



Online, In Branch and On the Road - Scattergood & Johnson Ltd, there when you need us.

www.scatts.co.uk