

PF 22.000 | PFA 20.000

ECOOL FILTERFAN | EXHAUST FILTER 56–67 m³/h



- installation size 2, air flow rate up to 67 m³/h
- system of protection IP 54 and IP 55, NEMA type 12
- UL, cUL approval
- UV-resistance (IP 55 version)
- cut-out compatible with installation size 2 from the 3rd Generation

| PRODUCT | | PF 22.000 | | | | | Unit |
|-------------|-------|-------------|-------------|-------------|-------------|-------------|------|
| ARTICLE NO. | IP 54 | 11622101055 | 11622151055 | 11622851055 | 11622801055 | 11622701055 | |
| ARTICLE NO. | IP 55 | 11622103055 | 11622153055 | 11622853055 | 11622803055 | 11622703055 | |

| DATA | | AC 50 60 Hz | | DC | | | |
|--|-------|---|-------------|------------------------------|------|-------------------|---|
| Rated voltage ±10 % | | 230 | 115 | 12 | 24 | 48 | V |
| Unimpeded airflow | IP 54 | 61 67 | | | | m ³ /h | |
| | IP 55 | 56 64 | | | | | |
| Airflow rate in comb. with exhaust filter | IP 54 | 44 50 | | | | | |
| | IP 55 | 40 46 | | | | | |
| Power consumption | | 19 18 | 20 20 | 5 | | W | |
| Current consumption | | 0.12 0.18 | 0.24 0.23 | 0.42 | 0.21 | 0.1 | A |
| Noise level according to EN ISO 3741 | | 44 44 | | 44 | | dB (A) | |
| Weight | | 0.7 | | 0.44 | | kg | |
| Type of connection | | terminal strip | | cable, 2-core, length 310 mm | | | |
| Fuse | | 6 | | | | A | |
| System of protection according to EN 60529 / UL 50 | IP 54 | NEMA type 12 - standard filter | | | | | |
| | IP 55 | NEMA type 12 - fluted filter | | | | | |
| Filtration efficiency according to EN 779 | IP 54 | > 90 | | | | % | |
| | IP 55 | > 90 | | | | % | |
| Filter mat quality class according to EN 779 | IP 54 | G 4 | | | | | |
| | IP 55 | G 4 | | | | | |
| Duty cycle | | 100 | | | | % | |
| Bearing type | | sleeve bearing | | ball bearing | | | |
| Service life L ₁₀ (+ 40 °C) ¹ | | 37500 | 40000 | 62500 | | h | |
| Temperature range | | -40 ... +55 -40 ... +131 | | | | °C °F | |
| Design (housing and protection against accidental contact) | IP 54 | made of injection-moulded thermoplastic, self-extinguishing, UL 94 V0 | | | | | |
| | IP 55 | additional: UV-resistant | | | | | |
| Colour | | RAL 7035 different colours available on request | | | | | |

| ACCESSORIES | | ARTICLE NUMBER |
|-----------------------------|----------|----------------|
| Exhaust filter | gray | 11720001055 |
| Exhaust filter | black | 11720001050 |
| Spare filter mats | 5 pieces | 18611600030 |
| Thermostat | | 17121000000 |
| Hygrostat | | 17207000000 |
| Rainhood in stainless steel | | 18102000014 |

For additional models, options and voltages visit www.pfannenber.com or contact us directly.

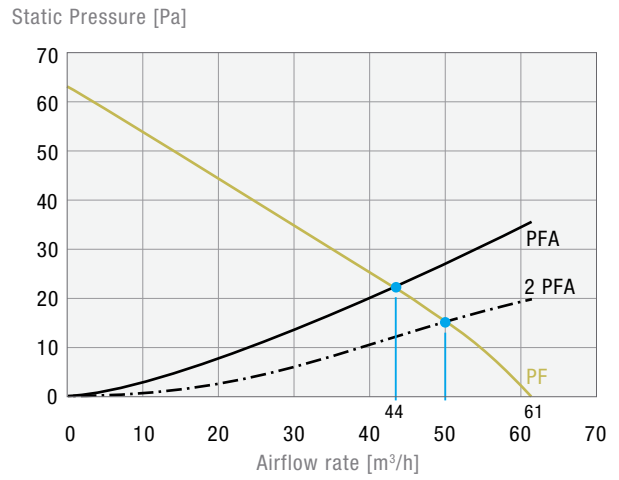
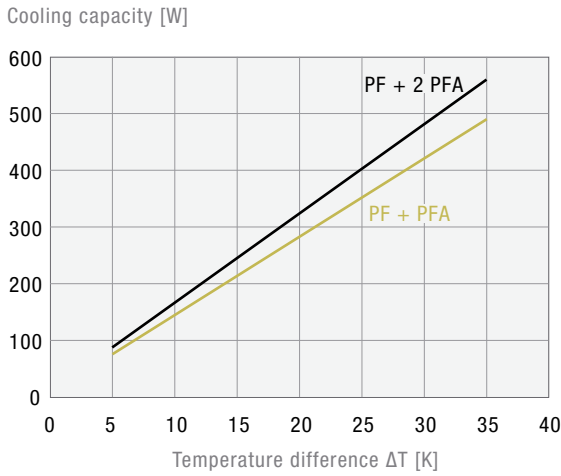
¹ fan failure is defined as being when the current and speed deviate or the operating noises are out of the ordinary



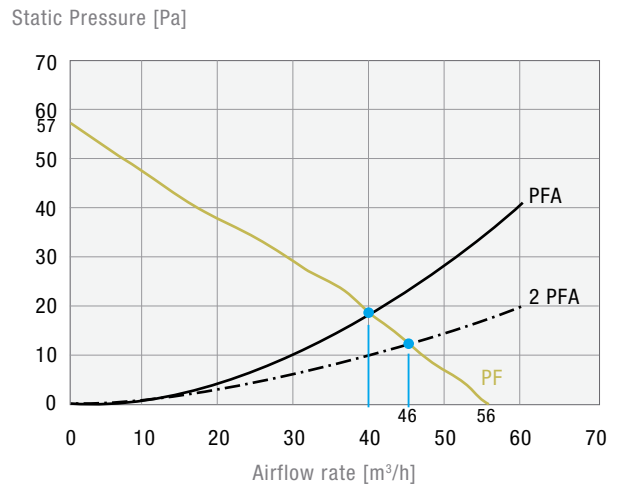
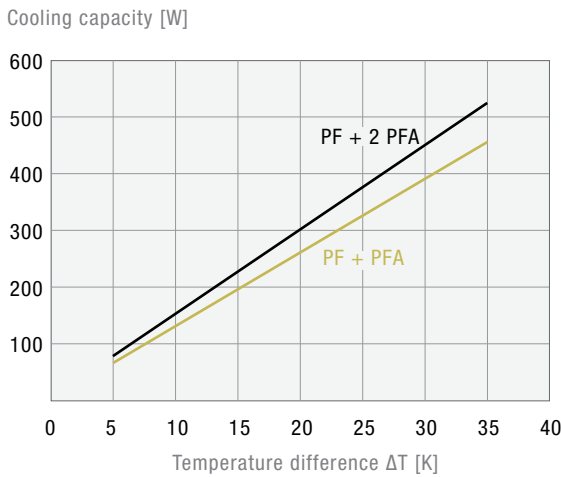
Cooling capacity performance curves

Static pressure performance curve

PF 22.000 IP 54

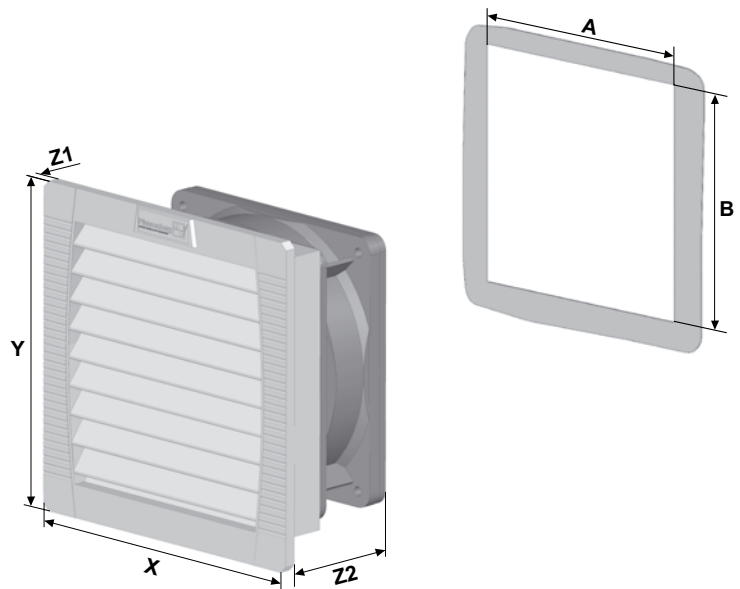


PF 22.000 IP 55



Dimensions

| mm | PF 22.000 | | PFA 20.000 |
|----------------------|-----------|-----|------------|
| | AC | DC | |
| X | 145 | 145 | 145 |
| Y | 145 | 145 | 145 |
| Z1 | 5 | 5 | 5 |
| Z2 | 70 | 64 | 26 |
| A¹ | 125 | 125 | 125 |
| B¹ | 125 | 125 | 125 |



¹ for material thicknesses up to 2 mm
+ 1 mm for thicknesses of material > 2 mm ≤ 3 mm



SCATTERGOOD & JOHNSON LTD

ELECTRICAL ENGINEERING & FLUID CONTROL DISTRIBUTORS

Est.1899

At Scattergood & Johnson Ltd, we pride ourselves on being a technical distributor to specialist industries.

Working with a range of quality product suppliers across a number of specialist markets, we are not your average 'box shifter' - we are your technical and supply chain partner.

We fully support every product we sell - for free! Our internal team and external sales engineers can answer any product or application question, no matter the complexity.

Backing up this technical ability is a range of 50,000+ products available from stock for nationwide next day delivery (same day if required!), or you can collect what you need from any of our trade counters around the UK.

Select your specialist interest below to learn more about how we can help.



Online, In Branch and On the Road - Scattergood & Johnson Ltd, there when you need us.

www.scatts.co.uk