

# PF 32.000 | PFA 30.000

## ECOOL FILTERFAN | EXHAUST FILTER 98–110 m³/h

- installation size 3, air flow rate up to 110 m³/h
- system of protection IP 54 and IP 55, NEMA type 12
- UL, cUL approval
- UV-resistance (IP 55 version)



PRODUCT		PF 32.000					Unit
ARTICLE NO.	IP 54	11632101055	11632151055	11632851055	11632801055	11632701055	
ARTICLE NO.	IP 55	11632103055	11632153055	11632853055	11632803055	11632703055	

DATA		AC 50   60 Hz		DC			
Rated voltage ±10 %		230	115	12	24	48	V
Unimpeded airflow	IP 54	98   108				m³/h	
	IP 55	100   110					
Airflow rate in comb. with exhaust filter	IP 54	73   80					
	IP 55	55   64					
Power consumption		19   18	20   20	5		W	
Current consumption		0.12   0.18	0.24   0.23	0.42	0.21	0.1	A
Noise level according to EN ISO 3741		40   40		40		dB (A)	
Weight		0.87		0.61		kg	
Type of connection		terminal strip		cable, 2-core, length 310 mm			
Fuse		6				A	
System of protection according to EN 60529 / UL 50	IP 54	NEMA type 12 - standard filter					
	IP 55	NEMA type 12 - fluted filter					
Filtration efficiency according to EN 779	IP 54	> 90				%	
	IP 55	> 90				%	
Filter mat quality class according to EN 779	IP 54	G 4					
	IP 55	G 4					
Duty cycle		100				%	
Bearing type		sleeve bearing		ball bearing			
Service life L <sub>10</sub> (+ 40 °C) <sup>1</sup>		37500	40000	62500		h	
Temperature range		-40 ... +55   -40 ... +131				°C   °F	
Design (housing and protection against accidental contact)	IP 54	made of injection-moulded thermoplastic, self-extinguishing, UL 94 V0					
	IP 55	additional: UV-resistant					
Colour		RAL 7035   different colours available on request					

ACCESSORIES		ARTICLE NUMBER
Exhaust filter	gray	11730001055
Exhaust filter	black	11730001050
Spare filter mats	5 pieces	18611600031
Thermostat		17121000000
Hygrostat		17207000000
Rainhood in stainless steel		18102000017

For additional models, options and voltages visit [www.pfannenber.com](http://www.pfannenber.com) or contact us directly.

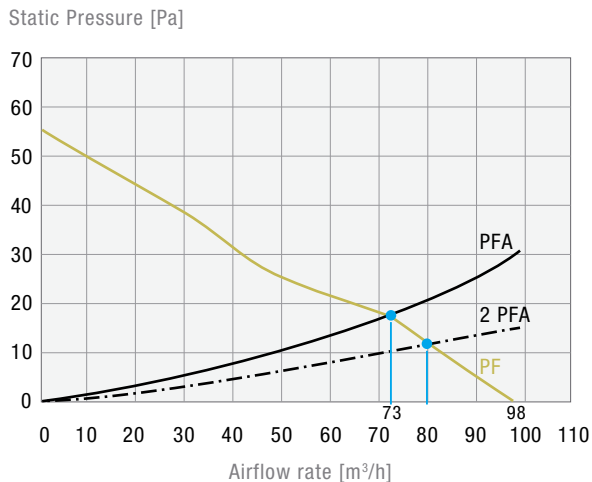
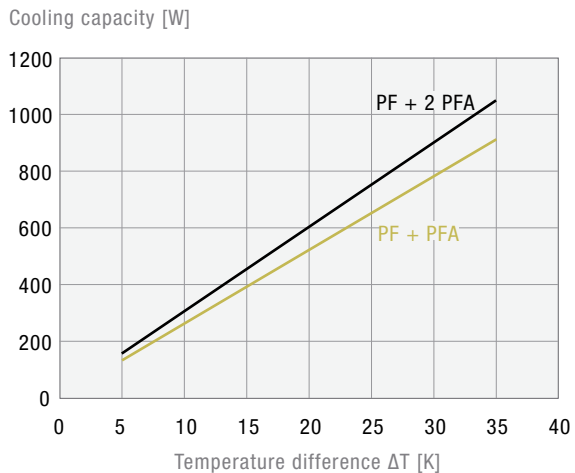
<sup>1</sup> fan failure is defined as being when the current and speed deviate or the operating noises are out of the ordinary



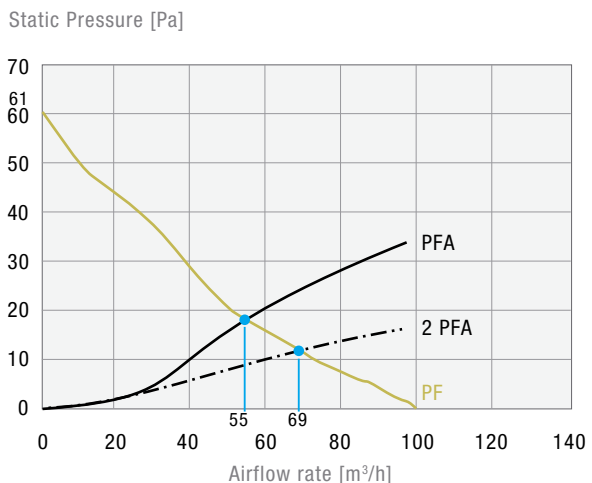
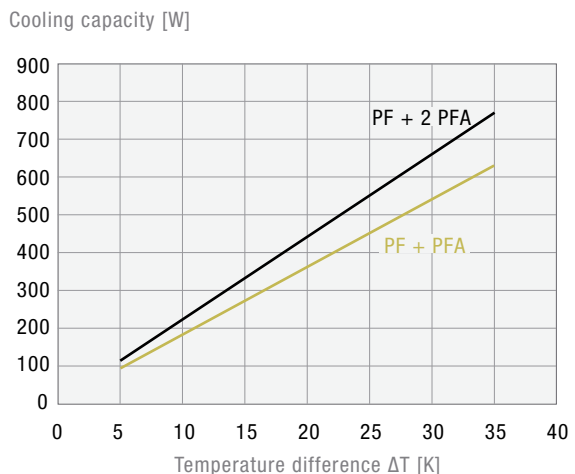
**Cooling capacity performance curves**

**Static pressure performance curve**

**PF 32.000 IP 54**

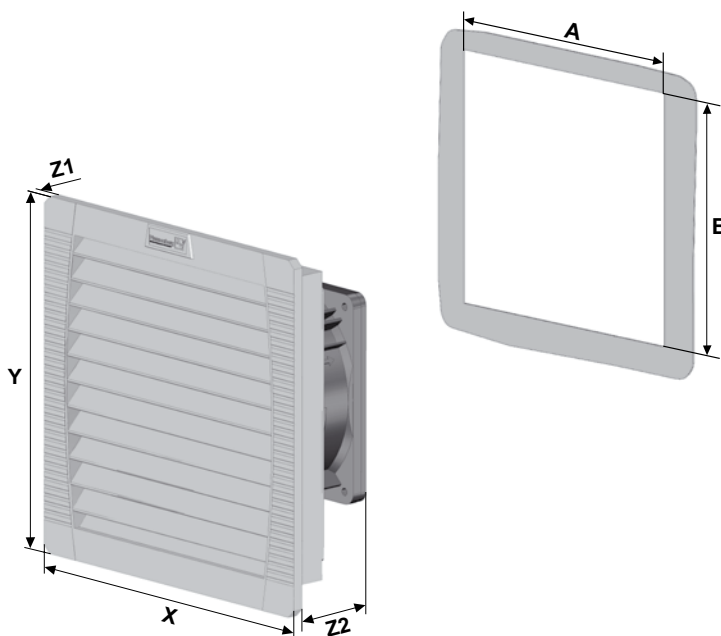


**PF 32.000 IP 55**



**Dimensions**

mm	PF 32.000		PFA 30.000
	AC	DC	
<b>X</b>	202	202	202
<b>Y</b>	202	202	202
<b>Z1</b>	6	6	6
<b>Z2</b>	87	81	34
<b>A<sup>1</sup></b>	177	177	177
<b>B<sup>1</sup></b>	177	177	177



<sup>1</sup> for material thicknesses up to 2 mm  
+ 1 mm for thickness of material > 2 mm ≤ 3 mm



# SCATTERGOOD & JOHNSON LTD

ELECTRICAL ENGINEERING & FLUID CONTROL DISTRIBUTORS

Est.1899

At Scattergood & Johnson Ltd, we pride ourselves on being a technical distributor to specialist industries.

Working with a range of quality product suppliers across a number of specialist markets, we are not your average 'box shifter' - we are your technical and supply chain partner.

We fully support every product we sell - for free! Our internal team and external sales engineers can answer any product or application question, no matter the complexity.

Backing up this technical ability is a range of 50,000+ products available from stock for nationwide next day delivery (same day if required!), or you can collect what you need from any of our trade counters around the UK.

Select your specialist interest below to learn more about how we can help.



Online, In Branch and On the Road - Scattergood & Johnson Ltd, there when you need us.

# [www.scatts.co.uk](http://www.scatts.co.uk)