

# PF 43.000 | PFA 40.000

## ECOOL FILTERFAN | EXHAUST FILTER 223–265 m³/h

- installation size 4, air flow rate up to 265 m³/h
- two performance classes, cut-out compatible
- system of protection IP 54 and IP 55, NEMA type 12
- UL, cUL approval
- UV-resistance (IP 55 version)
- cut-out compatible with installation size 4 from the 3rd Generation



PRODUCT		PF 43.000						Unit
ARTICLE NO.	IP 54	11643021055	11643101055	11643151055	11643851055	11643801055	11643701055	
ARTICLE NO.	IP 55	11643023055	11643103055	11643153055	11643853055	11643803055	11643703055	

DATA		AC 50   60 Hz			DC			
Rated voltage ±10 %		400	230	115	12	24	48	V
Unimpeded airflow	IP 54	223   247						m³/h
	IP 55	233   265						
Airflow rate in comb. with exhaust filter	IP 54	201   223						
	IP 55	180   207						
Power consumption		49   42	45   39	40   40	12			W
Current consumption		0.16   0.14	0.32   0.26	0.5   0.5	1	0.5	0.25	A
Noise level according to EN ISO 3741		42   46			42			dB (A)
Weight		1.67			1.51			kg
Type of connection		spring-type terminal						
Fuse		6						A
System of protection according to EN 60529 / UL 50	IP 54	NEMA type 12 - standard filter						
	IP 55	NEMA type 12 - fluted filter						
Filtration efficiency according to EN 779	IP 54	> 90						%
	IP 55	> 90						%
Filter mat quality class according to EN 779	IP 54	G 4						
	IP 55	G 4						
Duty cycle		100						%
Bearing type		ball bearing						
Service life L <sub>10</sub> (+ 40 °C) <sup>1</sup>		40000			80000			h
Temperature range		-40 ... +55   -40 ... +131						°C   °F
Design (housing and protection against accidental contact)	IP 54	made of injection-moulded thermoplastic, self-extinguishing, UL 94 V0						
	IP 55	additional: UV-resistant						
Colour		RAL 7035   different colours available on request						

ACCESSORIES		ARTICLE NUMBER
Exhaust filter	gray	11740001055
Exhaust filter	black	11740001050
Spare filter mats	5 pieces	18611600032
Thermostat		17121000000
Hygrostat		17207000000
Rainhood in stainless steel		18102000017

For additional models, options and voltages visit [www.pfannenber.com](http://www.pfannenber.com) or contact us directly.

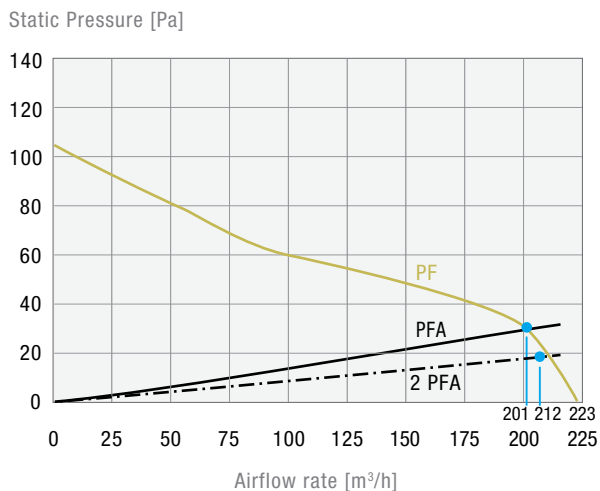
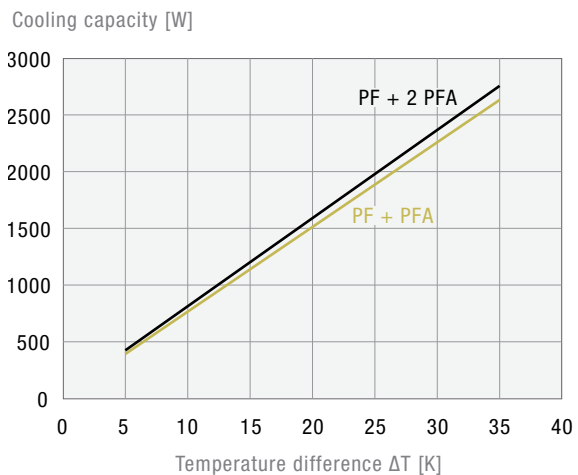
<sup>1</sup> fan failure is defined as being when the current and speed deviate or the operating noises are out of the ordinary



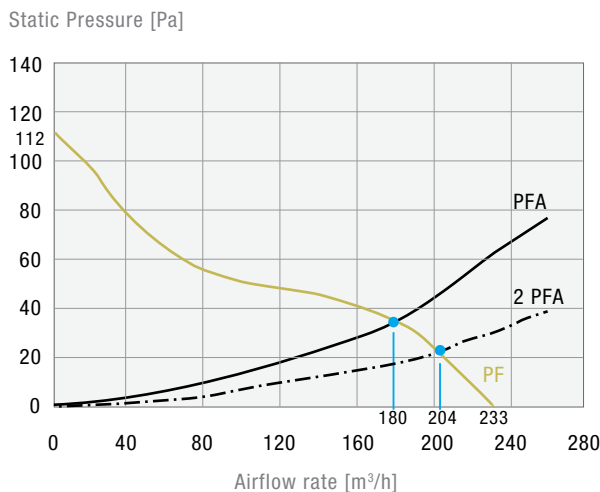
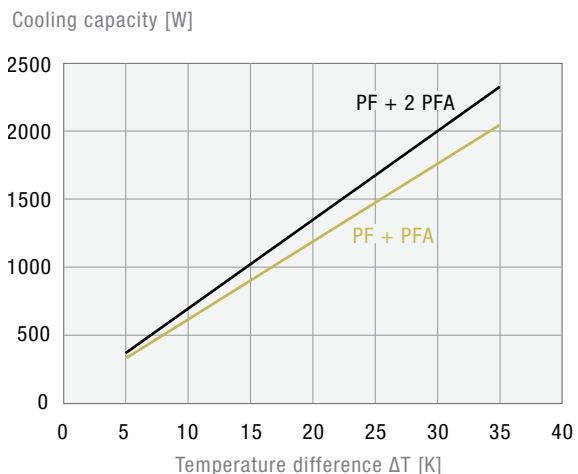
**Cooling capacity performance curves**

**Static pressure performance curve**

**PF 43.000 IP 54**

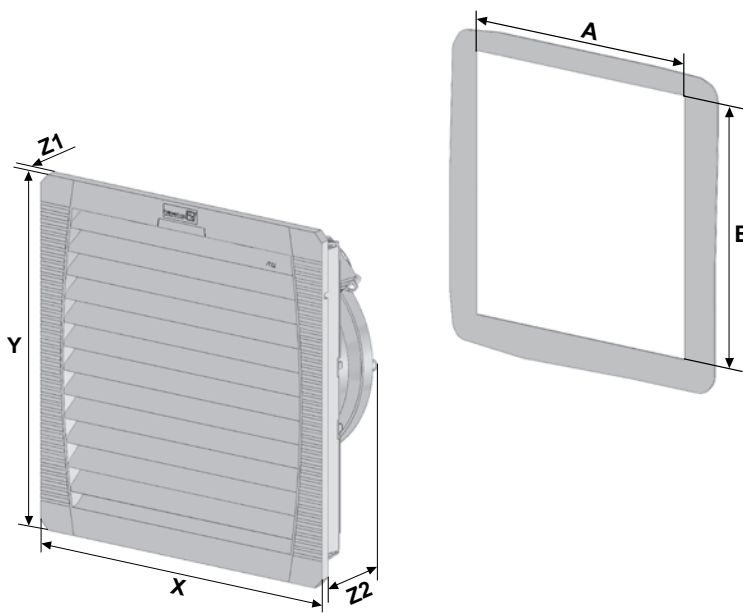


**PF 43.000 IP 55**



**Dimensions**

mm	PF 43.000		PFA 40.000
	AC	DC	
<b>X</b>	252	252	252
<b>Y</b>	252	252	252
<b>Z1</b>	6	6	6
<b>Z2</b>	113	97	38
<b>A<sup>1</sup></b>	223	223	223
<b>B<sup>1</sup></b>	223	223	223



<sup>1</sup> for material thicknesses up to 2 mm  
+ 1 mm for thickness of material > 2 mm ≤ 3 mm

FILTERFANS 4.0



# SCATTERGOOD & JOHNSON LTD

ELECTRICAL ENGINEERING & FLUID CONTROL DISTRIBUTORS

Est.1899

At Scattergood & Johnson Ltd, we pride ourselves on being a technical distributor to specialist industries.

Working with a range of quality product suppliers across a number of specialist markets, we are not your average 'box shifter' - we are your technical and supply chain partner.

We fully support every product we sell - for free! Our internal team and external sales engineers can answer any product or application question, no matter the complexity.

Backing up this technical ability is a range of 50,000+ products available from stock for nationwide next day delivery (same day if required!), or you can collect what you need from any of our trade counters around the UK.

Select your specialist interest below to learn more about how we can help.



Online, In Branch and On the Road - Scattergood & Johnson Ltd, there when you need us.

# [www.scatts.co.uk](http://www.scatts.co.uk)