

# PF 67.000 SL

## ECOOL SLIM LINE FILTERFAN 705–725 m<sup>3</sup>/h

Pfannenbergs 4th Generation filterfan with low installation depth

- installation size 6, air flow rate up to 725 m<sup>3</sup>/h
- three performance classes, cut-out compatible
- system of protection IP 55, NEMA type 12
- UL, cUL approval
- UV-resistance (IP 55 version)



PRODUCT		PF 67.000 SL			
ARTICLE NO.	IP 55	11677023055	11677103055	11677153055	Unit

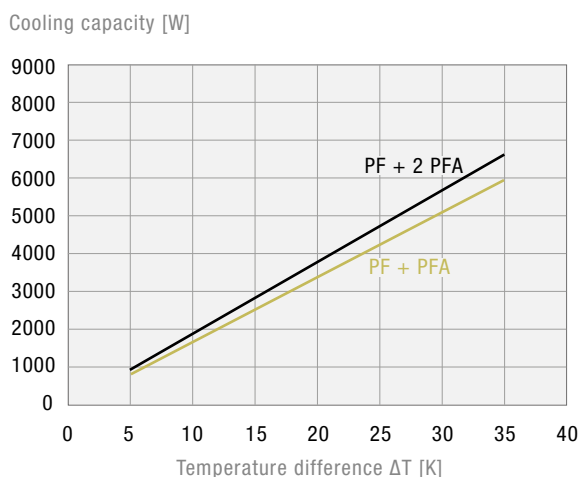
DATA					
Rated voltage ±10 %	AC 50   60 Hz				V
	400 3~   460 3~	230	115		
Unimpeded airflow	705   725				m <sup>3</sup> /h
Airflow rate in combination with exhaust filter	530   580				
Power consumption	110   165	115   165	120   165		W
Current consumption	0.2   0.23	0.51   0.70	1.05   1.45		A
Noise level according to EN ISO 3741	66   69				dB (A)
Weight	3.85	4.05	4.00		kg
Type of connection	screw terminal				
Fuse	6				A
System of protection according to EN 60529 / UL 50	NEMA type 12 - fluted filter				
Filtration efficiency	91				%
Filter mat quality class according to EN 779	G 4				
Duty cycle	100				%
Bearing type	ball bearing				
Service life L <sub>10</sub> (+ 40 °C) <sup>1</sup>	40000				h
Temperature range	-40 ... +55   -40 ... +131				°C   °F
Design (housing and protection against accidental contact)	made of injection-moulded thermoplastic, self-extinguishing, UL 94 VO, UV-resistant				
Colour	RAL 7035   different colours available on request				

ACCESSORIES		ARTICLE NUMBER
Exhaust filter		11760003055
Spare filter mats	5 pieces	18611600037
Thermostat		17121000000
Hygrostat		17207000000
Rainhood in stainless steel		18102000020

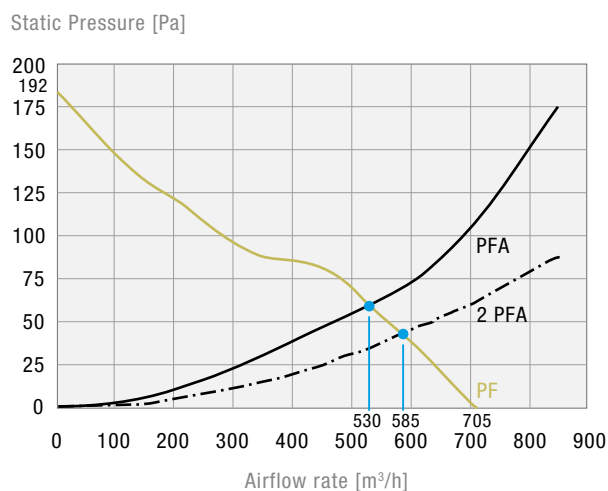
For additional models, options and voltages visit [www.pfannenbergs.com](http://www.pfannenbergs.com) or contact us directly.

<sup>1</sup> fan failure is defined as being when the current and speed deviate or the operating noises are out of the ordinary

### Cooling capacity performance curves

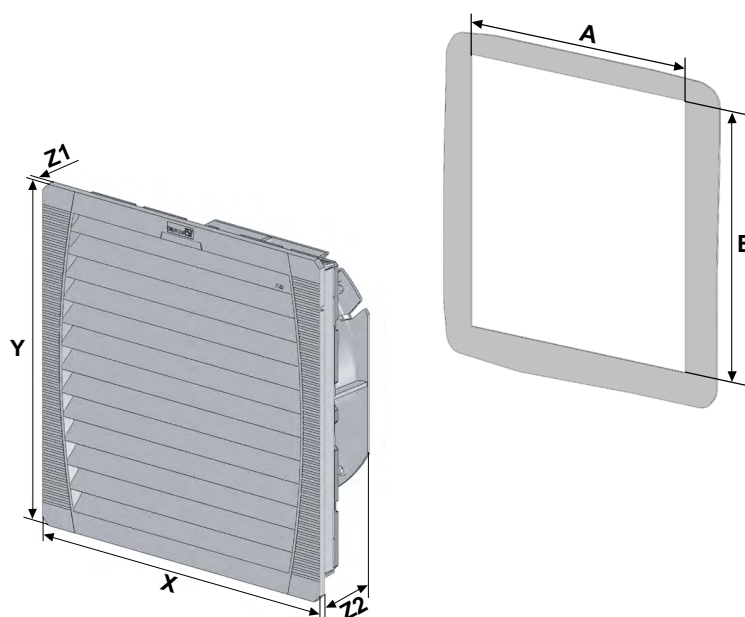


### Static pressure performance curve



### Dimensions

mm	PF 67.000 SL	PFA 60.000
<b>X</b>	320	320
<b>Y</b>	320	320
<b>Z1</b>	7	7
<b>Z2</b>	124	39
<b>A<sup>1</sup></b>	292	292
<b>B<sup>1</sup></b>	292	292



<sup>1</sup> for material thicknesses up to 2 mm  
+ 1 mm for thickness of material > 2 mm ≤ 3 mm



# SCATTERGOOD & JOHNSON LTD

ELECTRICAL ENGINEERING & FLUID CONTROL DISTRIBUTORS

Est.1899

At Scattergood & Johnson Ltd, we pride ourselves on being a technical distributor to specialist industries.

Working with a range of quality product suppliers across a number of specialist markets, we are not your average 'box shifter' - we are your technical and supply chain partner.

We fully support every product we sell - for free! Our internal team and external sales engineers can answer any product or application question, no matter the complexity.

Backing up this technical ability is a range of 50,000+ products available from stock for nationwide next day delivery (same day if required!), or you can collect what you need from any of our trade counters around the UK.

Select your specialist interest below to learn more about how we can help.



Online, In Branch and On the Road - Scattergood & Johnson Ltd, there when you need us.

# [www.scatts.co.uk](http://www.scatts.co.uk)