

# PF 11.000 EMC | PFA 10.000 EMC

## ECOOL FILTERFAN | EXHAUST FILTER 25–29 m<sup>3</sup>/h

- installation size 1, air flow rate up to 29 m<sup>3</sup>/h
- secure contact due to improved contact springs on the screen grid
- system of protection IP 54, NEMA type 12
- UL, cUL approval
- cut-out compatible to installation size 1 of the 3rd and 4th Generation



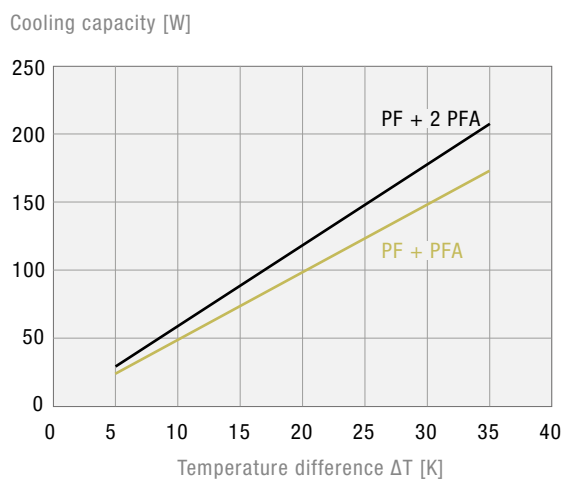
PRODUCT		PF 11.000 EMC				
ARTICLE NO.	IP 54	11811101055	11811151055	11811801055	11811701055	Unit
<b>DATA</b>						
Rated voltage ±10 %	AC 50   60 Hz			DC		V
	230	115	24	48		
Unimpeded airflow	25   29					m <sup>3</sup> /h
Airflow rate in combination with exhaust filter	16   18					
Power consumption	12   11			2.4	2.6	W
Current consumption	0.07   0.06	0.15   0.15		0.1	0.05	A
Noise level according to EN ISO 3741	33   33			33		dB (A)
Weight	0.58			0.19		kg
Type of connection	cable, 2-core, length 310 mm					
Fuse	6					A
System of protection according to EN 60529 / UL 50	NEMA type 12 - standard filter					
Filtration efficiency	88					%
Filter mat quality class according to EN 779	G 3					
Duty cycle	100					%
Bearing type	sleeve bearing			ball bearing		
Service life L <sub>10</sub> (+ 40 °C) <sup>1</sup>	52500	55000		70000		h
Temperature range	-40 ... +55   -40 ... +131					°C   °F
Design (housing and protection against accidental contact)	made of injection-moulded thermoplastic, self-extinguishing, UL 94 V0					
EMC screen	stainless steel					
Colour	RAL 7035   different colours available on request					

ACCESSORIES		ARTICLE NUMBER
Exhaust filter		11910001055
Spare filter mats	5 pieces	18611600029
Thermostat		17121000000
Hygrostat		17207000000
Rainhood in stainless steel		18102000014

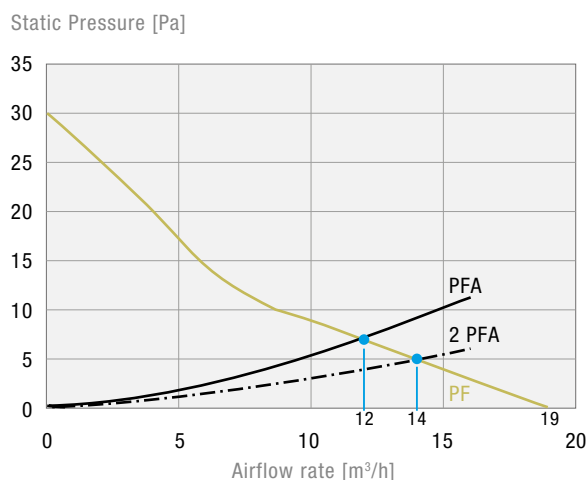
For additional models, options and voltages visit [www.pfannenber.com](http://www.pfannenber.com) or contact us directly.

<sup>1</sup> fan failure is defined as being when the current and speed deviate or the operating noises are out of the ordinary

### Cooling capacity performance curves

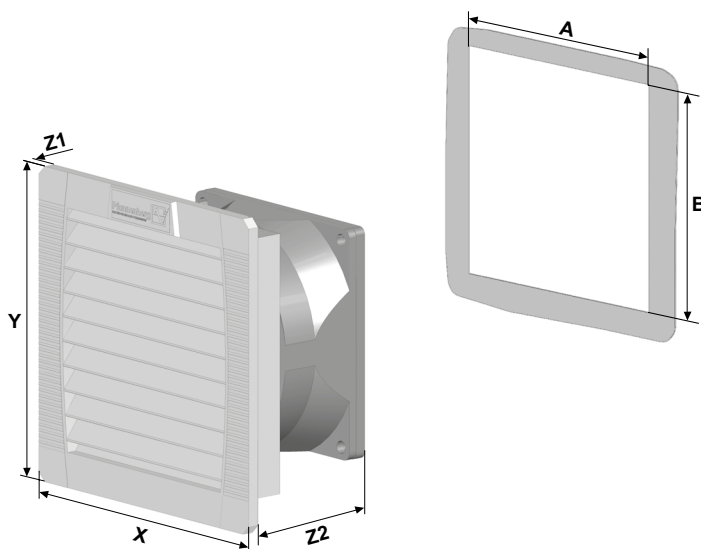


### Static pressure performance curve



### Dimensions

mm	PF 11.000 EMC		PFA 10.000 EMC
	AC	DC	
<b>X</b>	109	109	109
<b>Y</b>	109	109	109
<b>Z1</b>	4	4	4
<b>Z2</b>	62	49	19
<b>A</b>	93	93	93
<b>B</b>	93	93	93





# SCATTERGOOD & JOHNSON LTD

ELECTRICAL ENGINEERING & FLUID CONTROL DISTRIBUTORS

Est.1899

At Scattergood & Johnson Ltd, we pride ourselves on being a technical distributor to specialist industries.

Working with a range of quality product suppliers across a number of specialist markets, we are not your average 'box shifter' - we are your technical and supply chain partner.

We fully support every product we sell - for free! Our internal team and external sales engineers can answer any product or application question, no matter the complexity.

Backing up this technical ability is a range of 50,000+ products available from stock for nationwide next day delivery (same day if required!), or you can collect what you need from any of our trade counters around the UK.

Select your specialist interest below to learn more about how we can help.



Online, In Branch and On the Road - Scattergood & Johnson Ltd, there when you need us.

# [www.scatts.co.uk](http://www.scatts.co.uk)