

# PF 43.000 EMC | PFA 40.000 EMC

## ECOOL FILTERFAN | EXHAUST FILTER 233–292 m<sup>3</sup>/h

- installation size 4, air flow rate up to 292 m<sup>3</sup>/h
- two performance classes, cut-out compatible
- secure contact due to improved contact springs on the screen grid
- system of protection IP 54 and IP 55, NEMA type 12
- UL, cUL approval
- UV-resistance (IP 55 version)
- cut-out compatible to installation size 4 of the 3rd and 4th Generation



PRODUCT		PF 43.000 EMC					
ARTICLE NO.	IP 54	11843101055	11843151055	11843851055	11843801055	11843701055	Unit
ARTICLE NO.	IP 55	11843103055	11843153055	11843853055	11843803055	11843703055	

DATA		AC 50   60 Hz		DC			
Rated voltage ±10 %		230	115	12	24	48	V
Unimpeded airflow	IP 54	256   292					m <sup>3</sup> /h
	IP 55	233   265					
Airflow rate in comb. with exhaust filter	IP 54	231   265					
	IP 55	180   207					
Power consumption		45   39	40   40	12			W
Current consumption		0.32   0.26	0.5   0.5	1	0.5	0.25	A
Noise level according to EN ISO 3741		42   46			42		dB (A)
Weight		1.83			1.77		kg
Type of connection		spring-type terminal					
Fuse		6					A
System of protection according to EN 60529 / UL 50	IP 54	NEMA type 12 - standard filter					
	IP 55	NEMA type 12 - fluted filter					
Filtration efficiency according to EN 779	IP 54	> 90					%
	IP 55	> 90					%
Filter mat quality class according to EN 779	IP 54	G 4					
	IP 55	G 4					
Duty cycle		100					%
Bearing type		ball bearing					
Service life L <sub>10</sub> (+ 40 °C) <sup>1</sup>		40000			80000		h
Temperature range		-40 ... +55   -40 ... +131					°C   °F
Design (housing and protection against accidental contact)	IP 54	made of injection-moulded thermoplastic, self-extinguishing, UL 94 V0					
	IP 55	additional: UV-resistant					
EMC screen		stainless steel					
Colour		RAL 7035   different colours available on request					

ACCESSORIES	ARTICLE NUMBER
Exhaust filter	11940001055
Spare filter mats 5 pieces	18611600032
Thermostat	17121000000
Hygrostat	17207000000
Rainhood in stainless steel	18102000017

For additional models, options and voltages visit [www.pfannenber.com](http://www.pfannenber.com) or contact us directly.

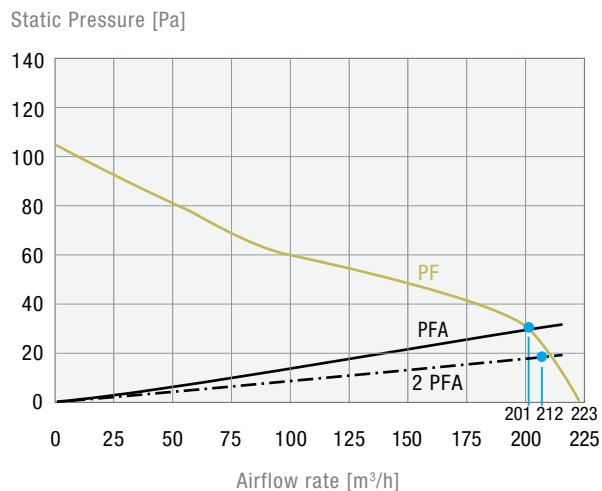
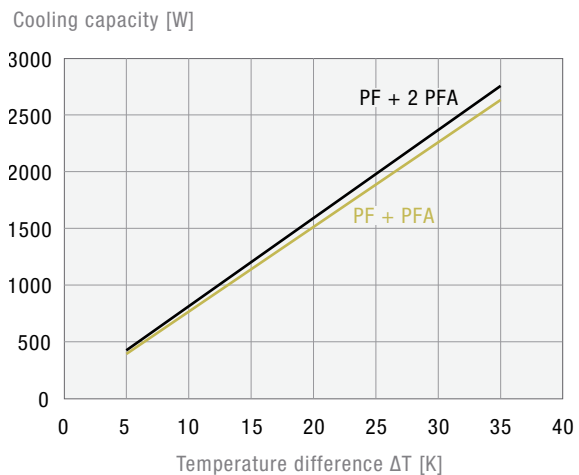
<sup>1</sup> fan failure is defined as being when the current and speed deviate or the operating noises are out of the ordinary



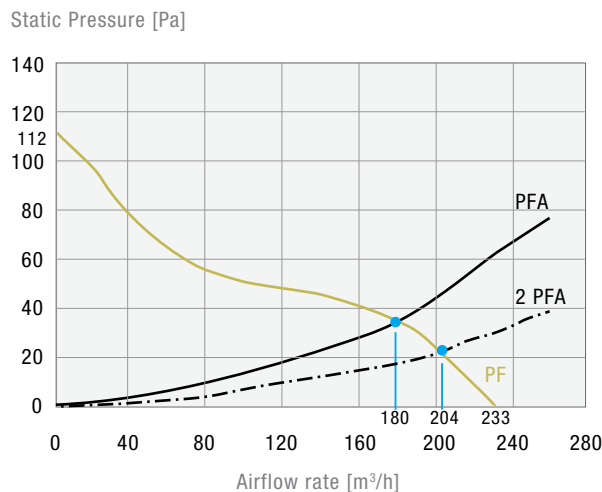
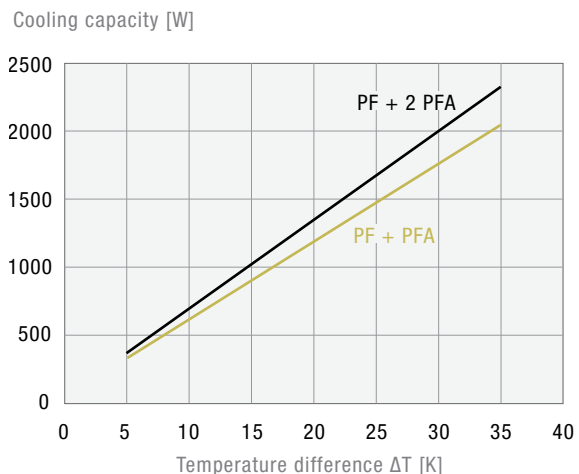
**Cooling capacity performance curves**

**Static pressure performance curve**

**PF 43.000 EMC IP 54**

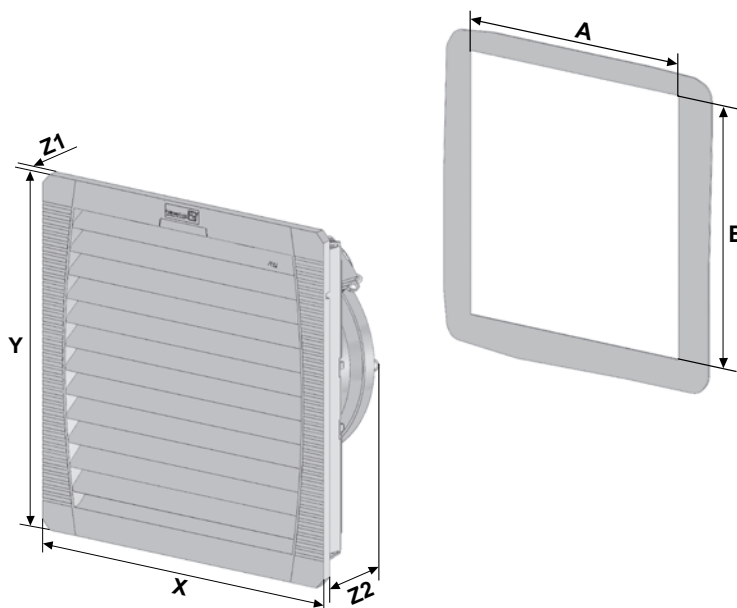


**PF 43.000 EMC IP 55**



**Dimensions**

mm	PF 43.000 EMC	DC	PFA 40.000 EMC
<b>X</b>	252	252	252
<b>Y</b>	252	252	252
<b>Z1</b>	6	6	6
<b>Z2</b>	113	97	38
<b>A</b>	224	224	224
<b>B</b>	224	224	224





# SCATTERGOOD & JOHNSON LTD

ELECTRICAL ENGINEERING & FLUID CONTROL DISTRIBUTORS

Est.1899

At Scattergood & Johnson Ltd, we pride ourselves on being a technical distributor to specialist industries.

Working with a range of quality product suppliers across a number of specialist markets, we are not your average 'box shifter' - we are your technical and supply chain partner.

We fully support every product we sell - for free! Our internal team and external sales engineers can answer any product or application question, no matter the complexity.

Backing up this technical ability is a range of 50,000+ products available from stock for nationwide next day delivery (same day if required!), or you can collect what you need from any of our trade counters around the UK.

Select your specialist interest below to learn more about how we can help.



Online, In Branch and On the Road - Scattergood & Johnson Ltd, there when you need us.

# [www.scatts.co.uk](http://www.scatts.co.uk)