

PF 65.000 EMC | PFA 60.000 EMC ECOOL FILTERFAN | EXHAUST FILTER 480–505 m³/h

- installation size 6, air flow rate up to 505 m³/h
- three performance classes, cut-out compatible
- secure contact due to improved contact springs on the screen grid
- system of protection IP 54 and IP 55, NEMA type 12
- UL, cUL approval
- UV-resistance (IP 55 version)
- cut-out compatible to installation size 6 of the 3rd and 4th Generation



PRODUCT		PF 65.000 EMC		
ARTICLE NO.	IP 54	11865102055	11865152055	Unit
ARTICLE NO.	IP 55	11865103055	11865153055	

DATA				
Rated voltage ±10 %		AC 50 60 Hz		
		230	115	V
Unimpeded airflow	IP 54	480 480		m³/h
	IP 55	505 505		
Airflow rate in comb. with exhaust filter	IP 54	370 370		
	IP 55	380 380		
Power consumption		80 100	75 90	W
Current consumption		0.35 0.45	0.66 0.8	A
Noise level according to EN ISO 3741		54 52		dB (A)
Weight		3.43		kg
Type of connection		spring-type terminal		
Fuse		6		A
System of protection according to EN 60529 / UL 50	IP 54	NEMA type 12 - standard filter		
	IP 55	NEMA type 12 - fluted filter		
Filtration efficiency according to EN 779	IP 54	80 - 90		%
	IP 55	>90		%
Filter mat quality class according to EN 779	IP 54	G 3		
	IP 55	G 4		
Duty cycle		100		%
Bearing type		ball bearing		
Service life L ₁₀ (+ 40 °C) ¹		40000		h
Temperature range		-40 ... +55 -40 ... +131		°C °F
Design (housing and protection against accidental contact)	IP 54	made of injection-moulded thermoplastic, self-extinguishing, UL 94 V0		
	IP 55	additional: UV-resistant		
EMC screen		stainless steel		
Colour		RAL 7035 different colours available on request		

ACCESSORIES		ARTICLE NUMBER
Exhaust filter		11960002055
Spare filter mats	5 pieces	18611600033
Thermostat		17121000000
Hygrostat		17207000000
Rainhood in stainless steel		18102000020

For additional models, options and voltages visit www.pfannenber.com or contact us directly.

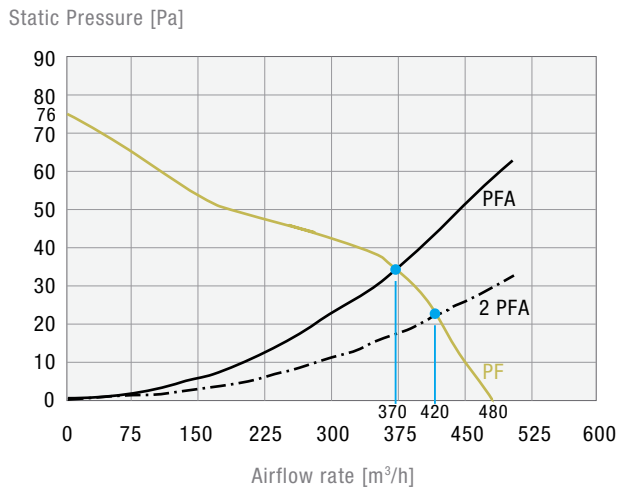
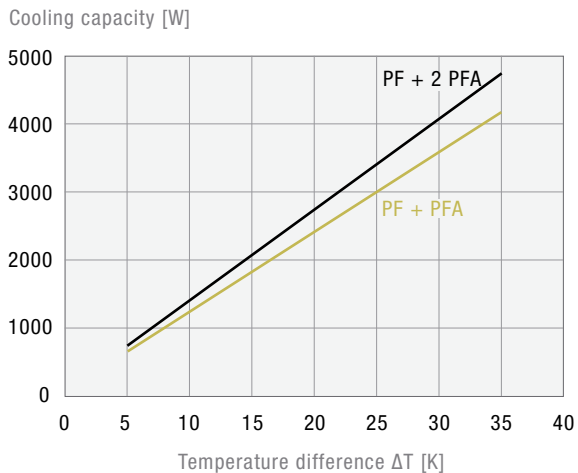
¹ fan failure is defined as being when the current and speed deviate or the operating noises are out of the ordinary



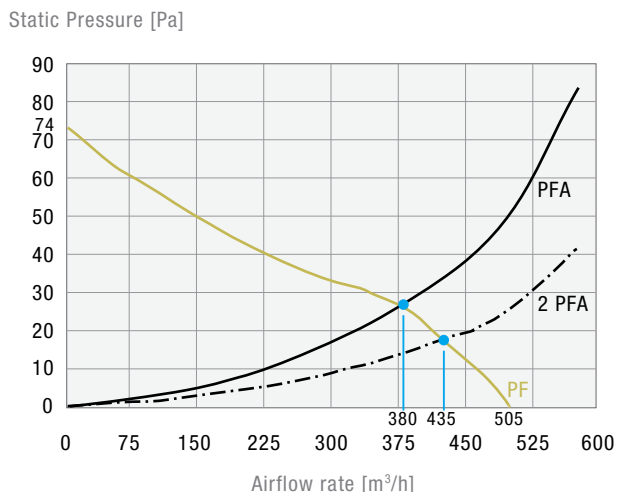
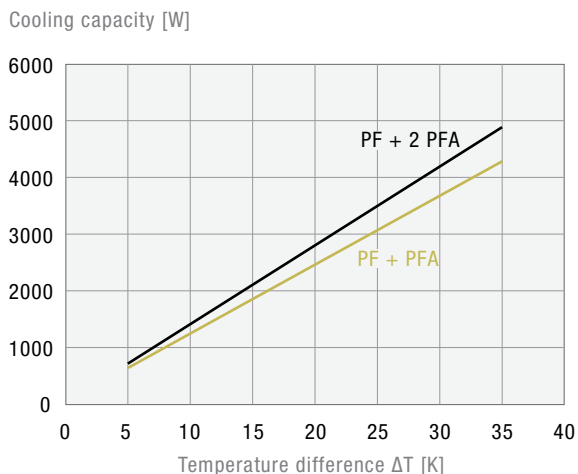
Cooling capacity performance curves

Static pressure performance curve

PF 65.000 EMC IP 54

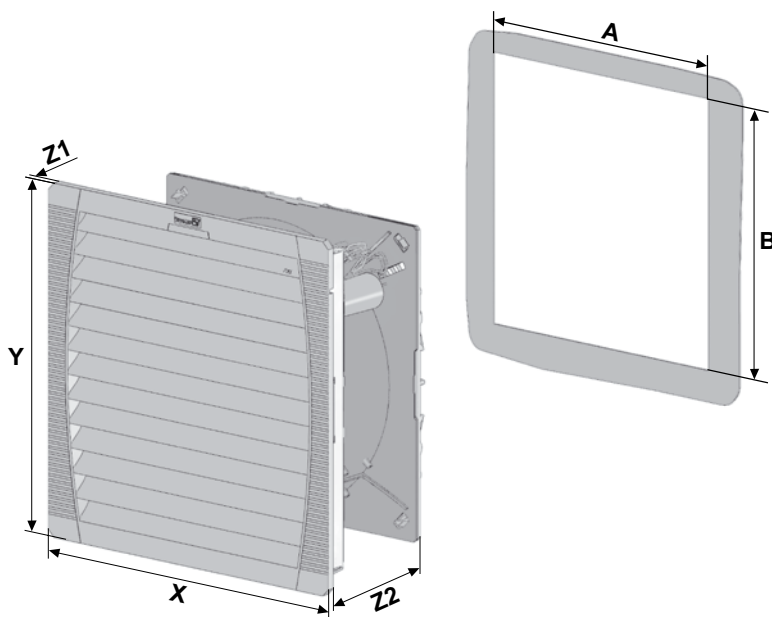


PF 65.000 EMC IP 55



Dimensions

mm	PF 65.000 EMC	PFA 60.000 EMC
X	320	320
Y	320	320
Z1	7	7
Z2	150	39
A	292	292
B	292	292



FILTERFANS 4.0



SCATTERGOOD & JOHNSON LTD

ELECTRICAL ENGINEERING & FLUID CONTROL DISTRIBUTORS

Est.1899

At Scattergood & Johnson Ltd, we pride ourselves on being a technical distributor to specialist industries.

Working with a range of quality product suppliers across a number of specialist markets, we are not your average 'box shifter' - we are your technical and supply chain partner.

We fully support every product we sell - for free! Our internal team and external sales engineers can answer any product or application question, no matter the complexity.

Backing up this technical ability is a range of 50,000+ products available from stock for nationwide next day delivery (same day if required!), or you can collect what you need from any of our trade counters around the UK.

Select your specialist interest below to learn more about how we can help.



Online, In Branch and On the Road - Scattergood & Johnson Ltd, there when you need us.

www.scatts.co.uk