

# PF 66.000 EMC | PFA 60.000 EMC

## ECOOL FILTERFAN | EXHAUST FILTER 640–785 m<sup>3</sup>/h



- installation size 6, air flow rate up to 785 m<sup>3</sup>/h
- three performance classes, cut-out compatible
- secure contact due to improved contact springs on the screen grid
- system of protection IP 54 and IP 55, NEMA type 12
- UL, cUL approval
- UV-resistance (IP 55 version)
- cut-out compatible to installation size 6 of the 3rd and 4th Generation

PRODUCT		PF 66.000 EMC			
ARTICLE NO.	IP 54	11866022055	11866102055	11866152055	Unit
ARTICLE NO.	IP 55	11866023055	11866103055	11866153055	

DATA					
Rated voltage ±10 %		AC 50   60 Hz			
		400 3~   460 3~	230	115	V
Unimpeded airflow	IP 54	640   653			m <sup>3</sup> /h
	IP 55	770   785			
Airflow rate in comb. with exhaust filter	IP 54	445   445			
	IP 55	490   501			
Power consumption		120   155	120   160	110   160	W
Current consumption		0.26   0.25	0.53   0.72	0.96   1.4	A
Noise level according to EN ISO 3741		63   64			dB (A)
Weight		3.43			kg
Type of connection		spring-type terminal			
Fuse		6			A
System of protection according to EN 60529 / UL 50	IP 54	NEMA type 12 - standard filter			
	IP 55	NEMA type 12 - fluted filter			
Filtration efficiency according to EN 779	IP 54	80 - 90			%
	IP 55	>90			%
Filter mat quality class according to EN 779	IP 54	G 3			
	IP 55	G 4			
Duty cycle		100			%
Bearing type		ball bearing			
Service life L <sub>10</sub> (+ 40 °C) <sup>1</sup>		40000			h
Temperature range		-40 ... +55   -40 ... +131			°C   °F
Design (housing and protection against accidental contact)	IP 54	made of injection-moulded thermoplastic, self-extinguishing, UL 94 V0			
	IP 55	additional: UV-resistant			
EMC screen		stainless steel			
Colour		RAL 7035   different colours available on request			

ACCESSORIES		ARTICLE NUMBER
Exhaust filter		11960002055
Spare filter mats	5 pieces	18611600033
Thermostat		17121000000
Hygrostat		17207000000
Rainhood in stainless steel		18102000020

For additional models, options and voltages visit [www.pfannenber.com](http://www.pfannenber.com) or contact us directly.

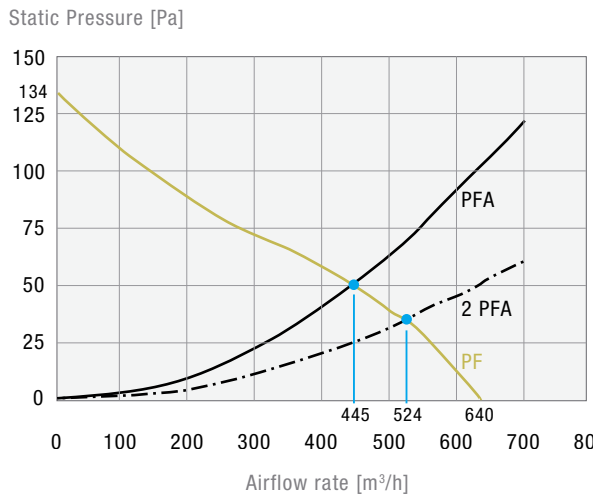
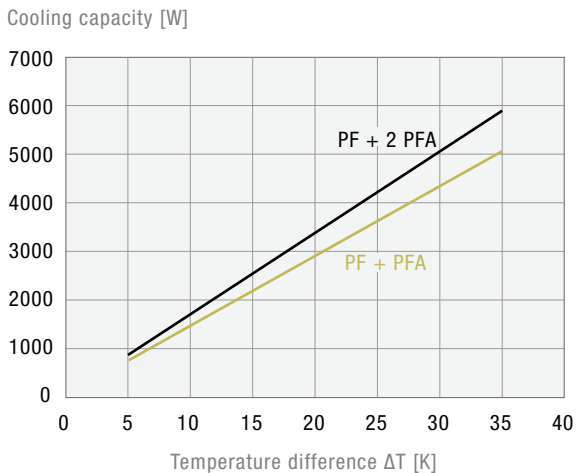
<sup>1</sup> fan failure is defined as being when the current and speed deviate or the operating noises are out of the ordinary



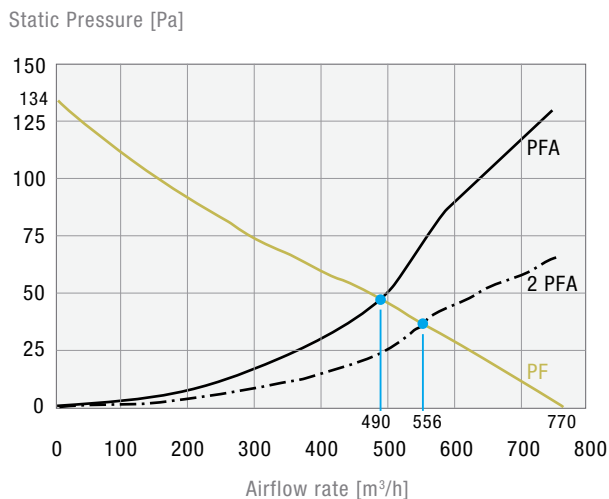
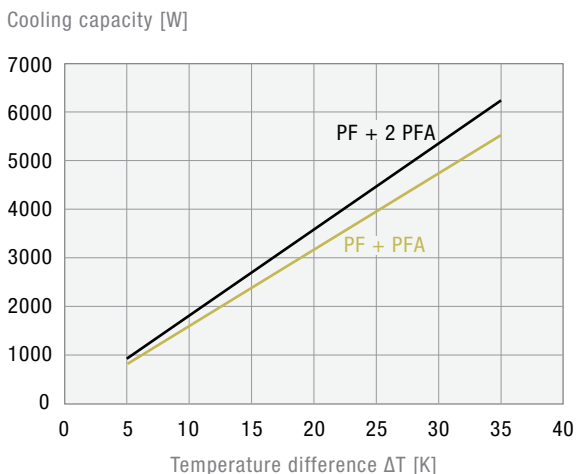
**Cooling capacity performance curves**

**Static pressure performance curve**

**PF 66.000 EMC IP 54**

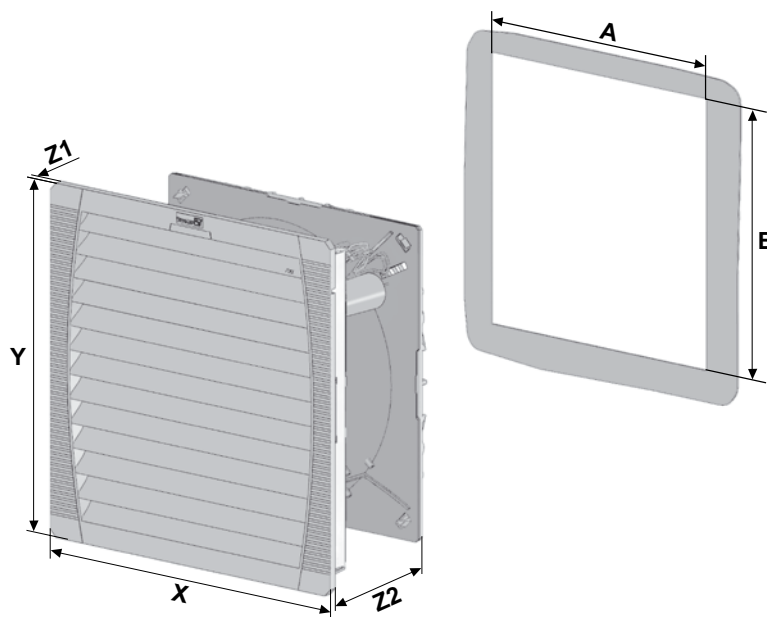


**PF 66.000 EMC IP 55**



**Dimensions**

mm	PF 66.000 EMC	PFA 60.000 EMC
<b>X</b>	320	320
<b>Y</b>	320	320
<b>Z1</b>	7	7
<b>Z2</b>	150	39
<b>A</b>	292	292
<b>B</b>	292	292





# SCATTERGOOD & JOHNSON LTD

ELECTRICAL ENGINEERING & FLUID CONTROL DISTRIBUTORS

Est.1899

At Scattergood & Johnson Ltd, we pride ourselves on being a technical distributor to specialist industries.

Working with a range of quality product suppliers across a number of specialist markets, we are not your average 'box shifter' - we are your technical and supply chain partner.

We fully support every product we sell - for free! Our internal team and external sales engineers can answer any product or application question, no matter the complexity.

Backing up this technical ability is a range of 50,000+ products available from stock for nationwide next day delivery (same day if required!), or you can collect what you need from any of our trade counters around the UK.

Select your specialist interest below to learn more about how we can help.



Online, In Branch and On the Road - Scattergood & Johnson Ltd, there when you need us.

# [www.scatts.co.uk](http://www.scatts.co.uk)