

FLH 010–FLH 150 RADIANT HEATERS 10–150 W

FLH radiant heaters are used in combination with a thermostat or hygrostat, predominantly for the avoidance of excessively low temperatures or excessively high humidity in the control cabinet. Different performance ratings from 10 to 150 Watts ensure that the correct heating power is always available. The total required heat can be distributed in a control cabinet according to needs.

Available with either terminal or connecting cable.



PRODUCT		FLH 010	FLH 015	FLH 030	FLH 045	
ARTICLE NO.	with terminal	17001005007	17001505007	17003005007	17004505007	Unit
ARTICLE NO.	with cable	17001005017	17001505017	17003005017	17004505017	

DATA

Heating performance (Ta = +20 °C)	10	15	30	45	W	
Rated voltage ¹ ±10 %	AC 50 60 Hz				V	
	230					
Functional range	110–250 V AC 50 60 Hz					
Max. starting current	1.0	1.1	1.2	1.8	A	
Max. surface temperature	55	65	90	105	°C	
Operating temperature	–40 ... +70					
System of protection for intended purpose of use	IP 44 (connecting cable) and IP 20 (plug terminal connector)					
Protection class	I					
Device construction	aluminium profile, brightly anodised					
Type of mounting	snap fastening for 35 mm profile bars according to EN 60715					
Type of connection	plug terminal connector connecting cable (500 mm)					
Weight	250					g

PRODUCT		FLH 060	FLH 075	FLH 100	FLH 150	
ARTICLE NO.	with terminal	17006005007	17007505007	17010005007	17015005007	Unit
ARTICLE NO.	with cable	17006005017	17007505017	17010005017	17015005017	

DATA

Heating performance (Ta = +20 °C)	60	75	100	150	W
Rated voltage ¹ ±10 %	AC 50 60 Hz				V
	230				
Functional range	110–250 V AC 50 60 Hz				
Max. starting current	2.5	4.5	5	7.5	A
Max. surface temperature	105	120	130	150	°C
Operating temperature	–40 ... +70				
System of protection for intended purpose of use	IP 44 (connecting cable) and IP 20 (plug terminal connector)				
Protection class	I				
Device construction	aluminium profile, brightly anodised				
Type of mounting	snap fastening for 35 mm profile bars according to EN 60715				
Type of connection	plug terminal connector connecting cable (500 mm)				
Weight	450	510	770	g	

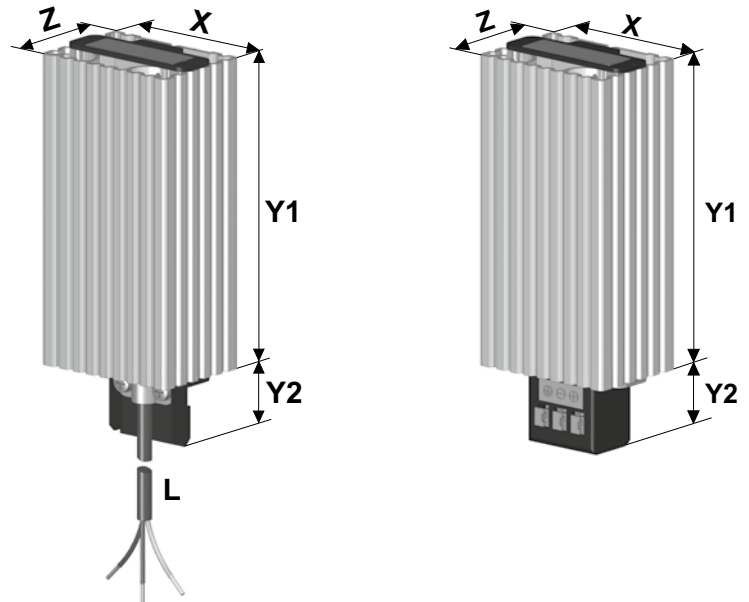
¹ other voltages available on request

ACCESSORIES	ARTICLE NUMBER
Thermostat	17111000000
Hygrostat	17207000000
Internal enclosure fan	18110000000

For additional models, options and voltages visit www.pfannenberg.com or contact us directly.

Dimensions

mm	FLH 010 015 030 045	FLH 060 075 100	FLH 150
X	70	70	70
Y1	65	140	215
Y2	35	35	35
Z	50	50	50
L	500	500	500





SCATTERGOOD & JOHNSON LTD

ELECTRICAL ENGINEERING & FLUID CONTROL DISTRIBUTORS

Est.1899

At Scattergood & Johnson Ltd, we pride ourselves on being a technical distributor to specialist industries.

Working with a range of quality product suppliers across a number of specialist markets, we are not your average 'box shifter' - we are your technical and supply chain partner.

We fully support every product we sell - for free! Our internal team and external sales engineers can answer any product or application question, no matter the complexity.

Backing up this technical ability is a range of 50,000+ products available from stock for nationwide next day delivery (same day if required!), or you can collect what you need from any of our trade counters around the UK.

Select your specialist interest below to learn more about how we can help.



Online, In Branch and On the Road - Scattergood & Johnson Ltd, there when you need us.

www.scatts.co.uk