

PFH COMPACT FAN HEATER 200–1200 W

- high power to size ratio ⇒ small, compact design
- wide range of heating capacities 200-1200 W in one housing
- fast heating due to PTC technology
- wall or DIN rail mounting
- low surface temperature
- finger guard at inlet and outlet
- plug-in fixed-point thermostat possible



PRODUCT		PFH 200	PFH 300	PFH 400	PFH 500	
ARTICLE NO.	230 V	17020610030	17030610030	17040610030	17050610030	Unit
ARTICLE NO.	115 V	17020615030	17030615030	17040615030	17050615030	

DATA

Heating performance (Ta = +10 °C)	200	300	400	500	W
Max. starting current	9	12	15	20	A
Max. pre fuse T	6		10		
Max. surface temperature	55				°C
Volumetric air flow	50				m³/h

PRODUCT		PFH 650	PFH 800	PFH 1000	PFH 1200	
ARTICLE NO.	230 V	17065610030	17080610030	17099610030	17099910030	Unit
ARTICLE NO.	115 V	17065615030	17080615030	17099615030		

DATA

Heating performance (Ta = +10 °C)	650	800	1000	1200	W
Max. starting current	25	31	25	31	A
Max. pre fuse T	10				
Max. surface temperature	70				°C
Operating temperature	-40 ... +70				
System of protection for intended purpose of use	IP 20				
Rated voltage ±10 %	AC 50 60 Hz				V
	230				
Functional range	104 – 127 V or 207 – 258 V AC 50 60 Hz				
Protection class	II				
Device construction	plastic UL 94V-0, black				
Type of mounting	snap fastening for 35 mm profile bars according to EN 60715 4 x M5 screws (not included)				
Type of connection	plug terminal connector				
Weight	740				g

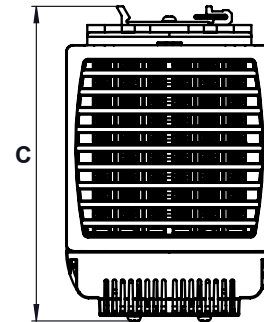
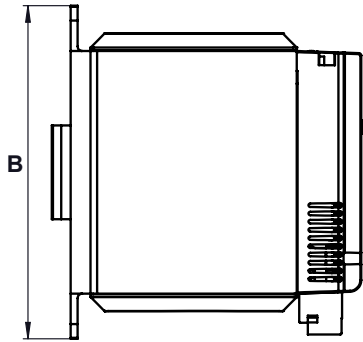
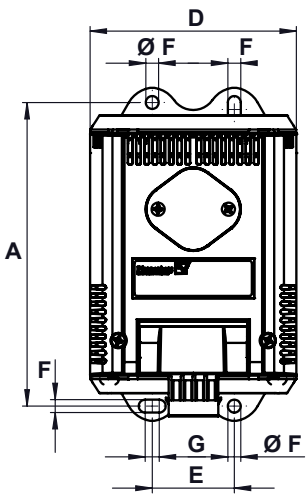
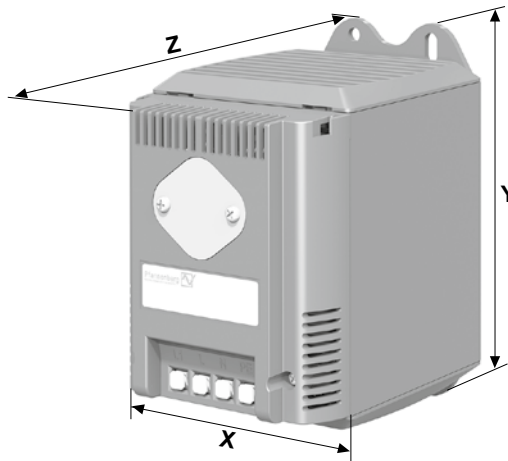
ACCESSORIES		ARTICLE NUMBER
Hygrostat		17207000000
Internal enclosure fan		18110000000
Plug-in-fixed-point thermostat	5 °C	18413000000
	15 °C	18413000001
	25 °C	18413000002

For additional models, options and voltages visit www.pfannenberg.com or contact us directly.



Dimensions

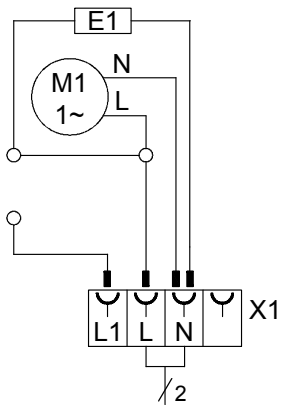
mm	PFH
X	88
Y	142
Z	126
A	129
B	142
C	134
D	88
E	35
F	5.5
G	6



Schematics

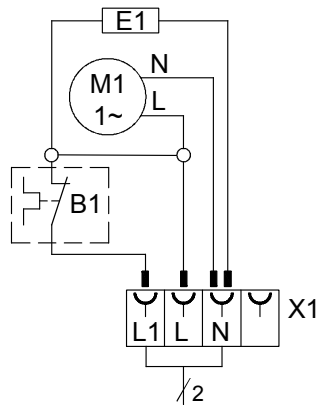
Standard

without internal thermostat



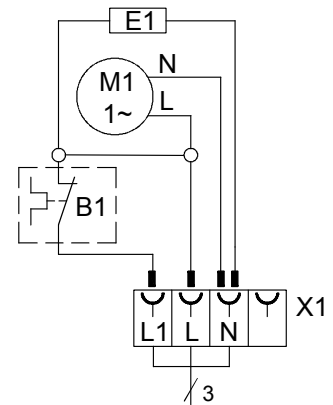
Option 1

with internal thermostat



Option 2

with internal thermostat and external thermostat which control independent to each other



M1: fan
E1: PTC - heating element
X1: connection
B1: thermostat (optional)



SCATTERGOOD & JOHNSON LTD

ELECTRICAL ENGINEERING & FLUID CONTROL DISTRIBUTORS

Est.1899

At Scattergood & Johnson Ltd, we pride ourselves on being a technical distributor to specialist industries.

Working with a range of quality product suppliers across a number of specialist markets, we are not your average 'box shifter' - we are your technical and supply chain partner.

We fully support every product we sell - for free! Our internal team and external sales engineers can answer any product or application question, no matter the complexity.

Backing up this technical ability is a range of 50,000+ products available from stock for nationwide next day delivery (same day if required!), or you can collect what you need from any of our trade counters around the UK.

Select your specialist interest below to learn more about how we can help.



Online, In Branch and On the Road - Scattergood & Johnson Ltd, there when you need us.

www.scatts.co.uk