

FLZ 541 | FLZ 542 | FLZ 543 TWIN THERMOSTATS

The FLZ series of twin thermostats integrates two independently switchable thermostats. They are available with N.C./N.O.¹, N.C./N.C. and N.O./N.O. contacts. Unlike thermostats with changeover contacts, connected devices can be switched in different temperature ranges.



PRODUCT		FLZ 541	FLZ 542	FLZ 543	
ARTICLE NO.	0 ... +60 °C	17141000000	17142000000	17143000000	Unit

DATA

Type of contact	N.C./N.O. with spring contact		N.C./N.C. with spring contact	N.O./N.O. with spring contact		
Switching temperature difference	< 7				K	
Switching point tolerance	±4					
Max. switching power value in brackets: inductive load at cos φ = 0.6	N.C.	240 V AC / 10 (2)			A	
	N.O.	120 V AC / 15 (2)				
	DC	max. 30			W	
Operating temperature	-40 ... +80				°C	
Suitable for the operation of	fan and heater	heater	fan			
Probe type	bimetal					
Type of mounting	snap fastening for 35 mm profile bars according to EN 60715					
Type of connection	screw terminal for cable cross-section 0.5 to 2.5 mm ²					
Colour	RAL 7035					
Weight	95					g

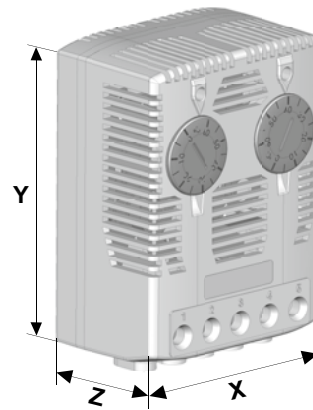
ACCESSORIES	ARTICLE NUMBER
Hygostat	17207000000
Internal enclosure fan	18110000000

For additional models, options and voltages visit www.pfannenberg.com or contact us directly.



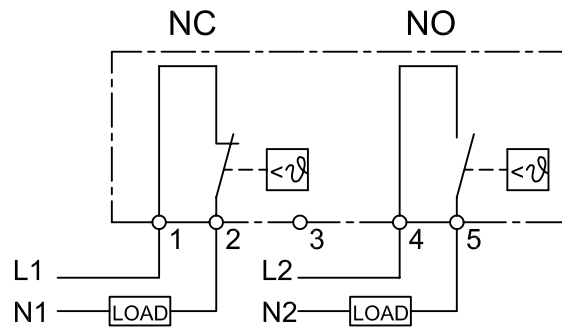
Dimensions

mm	FLZ 541 FLZ 542 FLZ 543
X	59
Y	80.5
Z	38

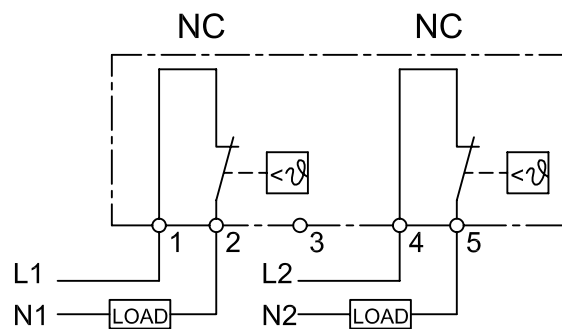


Schematics

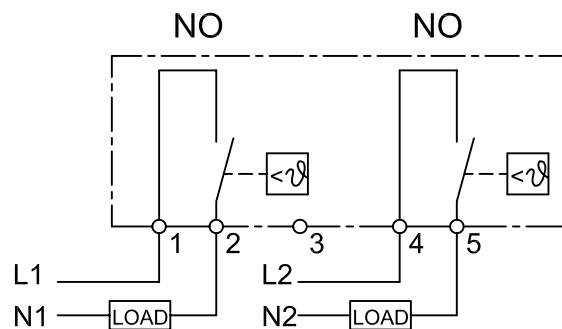
FLZ 541



FLZ 542



FLZ 543





SCATTERGOOD & JOHNSON LTD

ELECTRICAL ENGINEERING & FLUID CONTROL DISTRIBUTORS

Est.1899

At Scattergood & Johnson Ltd, we pride ourselves on being a technical distributor to specialist industries.

Working with a range of quality product suppliers across a number of specialist markets, we are not your average 'box shifter' - we are your technical and supply chain partner.

We fully support every product we sell - for free! Our internal team and external sales engineers can answer any product or application question, no matter the complexity.

Backing up this technical ability is a range of 50,000+ products available from stock for nationwide next day delivery (same day if required!), or you can collect what you need from any of our trade counters around the UK.

Select your specialist interest below to learn more about how we can help.



Online, In Branch and On the Road - Scattergood & Johnson Ltd, there when you need us.

www.scatts.co.uk