

# DTS 3265 HT (NEMA 3R/4) | DTS 3165 HT (NEMA 3R/4) DTS 3061 HT (NEMA 3R/4) HIGH TEMPERATURE COOLING UNITS

- suitable for outdoor applications
- operation under extreme high temperature conditions (+ 60 °C)
- maintains a UL tested NEMA type 3R/4 seal against the enclosure
- high protection system IP 56, maintenance-free
- condenser with 3 mm fin spacing, highly effective protection against strongly contaminated ambient air
- large distance between intake and exhaust vents, safe circulation within the electrical enclosure due to long passage of air, therefore hot spots are eliminated
- integrated condensate evaporation system
- fully coated heat exchangers and tubing



PRODUCT	DTS 3265 HT		DTS 3165 HT		DTS 3061 HT		UNIT
ARTICLE NO.	13393841001		13393641001		13392341005		
DATA							
Rated voltage ±10 %	AC 50   60						Hz
	230						V
Cooling capacity according to EN 14511	A35/A35	3040	1948	680		W	
	A40/A60	1405	845	265			
Power consumption	A35/A35	1360	860	360		A	
Current consumption	A35/A35	7.0	7.8	1.9			
Starting current	A35/A35	38.0	26.0	6.5			
Unimpeded airflow (free flow)	internal	1200			325	m³/h	
	external	1200	580	150			
Pre fuse T	15	10			A		
Type of connection	Pluggable connection included with plug						
Noise level according to EN ISO 3741	< 73	< 70	< 64		dB (A)		
Weight (without packaging)	68	49	23		kg		
Ambient temperature	0 ... + 60 / + 52 ... + 140						°C   °F
Control range (adjustable)	+ 25 ... + 45   + 77 ... + 113; factory setting + 35   + 95						
Refrigerant	R134a	1200	900	400		g	
Duty cycle	100						%
Condensate management	integrated condensate evaporation system with safety overflow						
Protection system according to NEMA type	3R/4	towards the electrical enclosure if used as intended by the manufacturer					
	1	towards the surroundings if used as intended by the manufacturer					
Design	housing	galvanised sheet steel					
	cover	galvanised   electrostatically powder coated (200 °C)					
Colour	RAL 7035   different colours available on request						

ACCESSORIES	Piece	ARTICLE NUMBER
Condensate bottle	1	18314000100

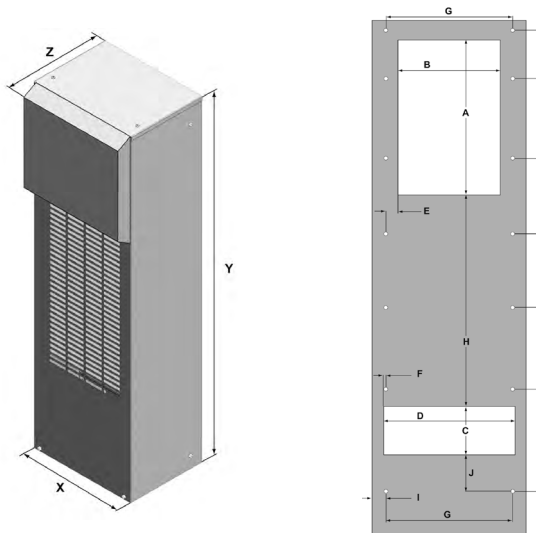
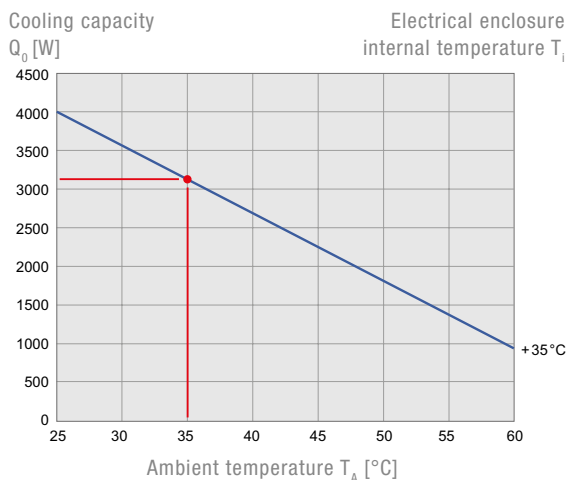
For additional models, options and voltages visit [www.pfannenberg.com](http://www.pfannenberg.com) or contact us directly.

For additional information to ensure the accurate setting of the motor protection switch, please see technical specific data sheet. This information is included with the delivery of the unit or can be found at [www.pfannenberg.com](http://www.pfannenberg.com).

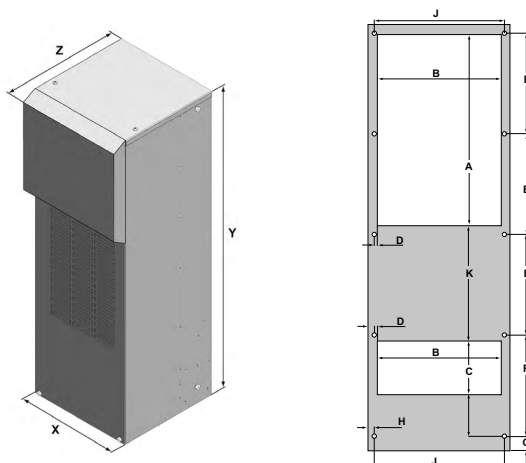
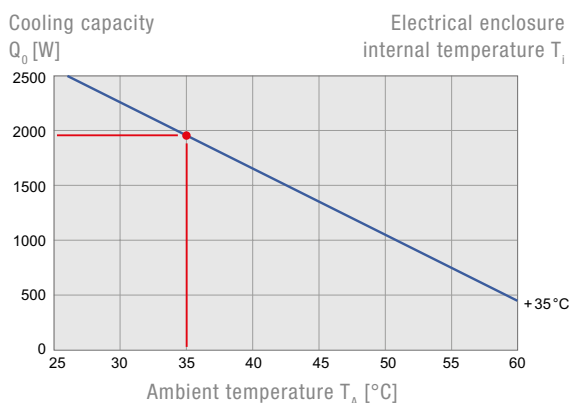
**Cooling capacity performance curves**

**Dimensions**

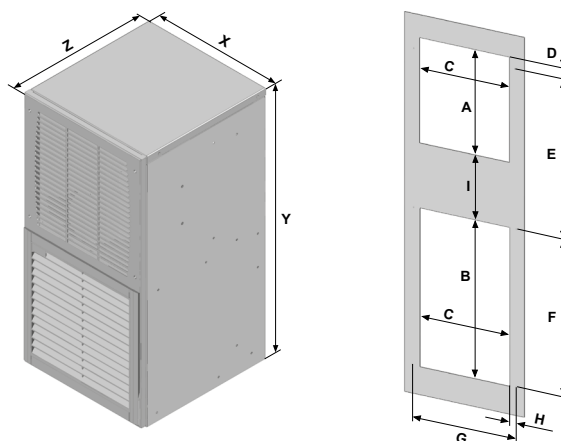
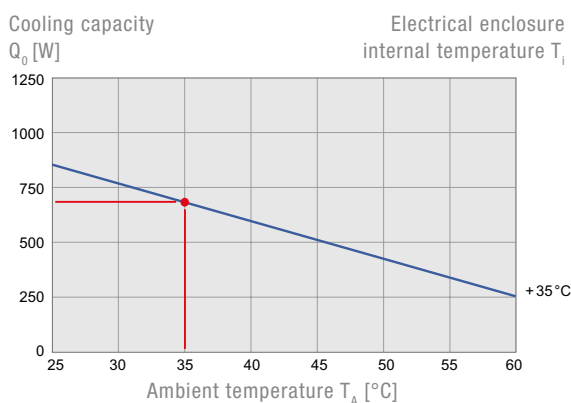
**DTS 3265 HT**



**DTS 3165 HT**



**DTS 3061 HT**



	X	Y	Z	A	B	C	D	E	F	G	H	I	J	K	L	M	N	O	P	Q
mm	406	1347	367	427	280	135	348	25	9	330	537	35	92	126	209	198	192	214	114	267

Mounting holes Ø 8 mm

	X	Y	Z	A	B	C	D	E	F	G	H	I	J	K
mm	311	914	367	430	264	118	8	216	216	32	13	80	279,4	228

Mounting holes Ø 10 mm

	X	Y	Z	A	B	C	D	E	F	G	H	I
mm	256	512	274	152.4	230.3	209.6	26.1	203.2	225.6	238.1	14.3	76.1

Mounting holes Ø 7.9 mm



# SCATTERGOOD & JOHNSON LTD

ELECTRICAL ENGINEERING & FLUID CONTROL DISTRIBUTORS

Est.1899

At Scattergood & Johnson Ltd, we pride ourselves on being a technical distributor to specialist industries.

Working with a range of quality product suppliers across a number of specialist markets, we are not your average 'box shifter' - we are your technical and supply chain partner.

We fully support every product we sell - for free! Our internal team and external sales engineers can answer any product or application question, no matter the complexity.

Backing up this technical ability is a range of 50,000+ products available from stock for nationwide next day delivery (same day if required!), or you can collect what you need from any of our trade counters around the UK.

Select your specialist interest below to learn more about how we can help.



Online, In Branch and On the Road - Scattergood & Johnson Ltd, there when you need us.

# [www.scatts.co.uk](http://www.scatts.co.uk)