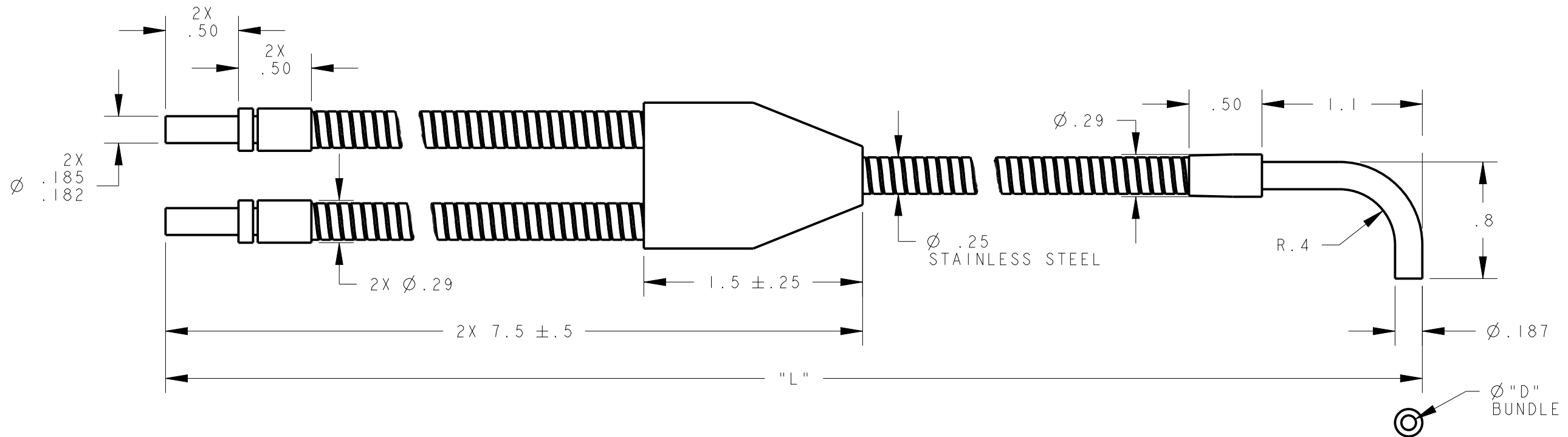


8				7				6				5				4				3				2				1																															
MODEL NO.	"L"	"D"	P/N	MODEL NO.	"L"	"D"	P/N	MODEL NO.	"L"	"D"	P/N	MODEL NO.	"L"	"D"	P/N	MODEL NO.	"L"	"D"	P/N	MODEL NO.	"L"	"D"	P/N	MODEL NO.	"L"	"D"	P/N	MODEL NO.	"L"	"D"	P/N																												
BA215S	180	.125	20801	BA212S	144	.125	24867	BA21.3S	16	.125	22432	BA.753S	36	.046	20930	BA11.5S	18	.062	20042	BA13S	36	.062	17201	BA18S	96	.062	21161	BA21.2S	14	.125	17203	BA21.5S	18	.125	20524	BA210S	120	.125	20761																				
BA21S	12	.125	17204	BA21.3S	16	.125	22432	BA.753S	36	.046	20930	BA11.5S	18	.062	20042	BA13S	36	.062	17201	BA18S	96	.062	21161	BA21.2S	14	.125	17203	BA21.5S	18	.125	20524	BA210S	120	.125	20761																								
BA22S	24	.125	17207	BA21.3S	16	.125	22432	BA.753S	36	.046	20930	BA11.5S	18	.062	20042	BA13S	36	.062	17201	BA18S	96	.062	21161	BA21.2S	14	.125	17203	BA21.5S	18	.125	20524	BA210S	120	.125	20761																								
BA24S	48	.125	17215	BA21.3S	16	.125	22432	BA.753S	36	.046	20930	BA11.5S	18	.062	20042	BA13S	36	.062	17201	BA18S	96	.062	21161	BA21.2S	14	.125	17203	BA21.5S	18	.125	20524	BA210S	120	.125	20761																								
BA25S	60	.125	17216	BA21.3S	16	.125	22432	BA.753S	36	.046	20930	BA11.5S	18	.062	20042	BA13S	36	.062	17201	BA18S	96	.062	21161	BA21.2S	14	.125	17203	BA21.5S	18	.125	20524	BA210S	120	.125	20761																								
BA26S	72	.125	17218	BA21.3S	16	.125	22432	BA.753S	36	.046	20930	BA11.5S	18	.062	20042	BA13S	36	.062	17201	BA18S	96	.062	21161	BA21.2S	14	.125	17203	BA21.5S	18	.125	20524	BA210S	120	.125	20761																								
BA28S	96	.125	17852	BA21.3S	16	.125	22432	BA.753S	36	.046	20930	BA11.5S	18	.062	20042	BA13S	36	.062	17201	BA18S	96	.062	21161	BA21.2S	14	.125	17203	BA21.5S	18	.125	20524	BA210S	120	.125	20761																								
BA23S	36	.125	17210	BA21.3S	16	.125	22432	BA.753S	36	.046	20930	BA11.5S	18	.062	20042	BA13S	36	.062	17201	BA18S	96	.062	21161	BA21.2S	14	.125	17203	BA21.5S	18	.125	20524	BA210S	120	.125	20761																								



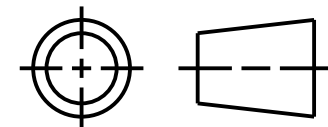
NOTES:
 1. ALL DIMENSIONS ARE MILLIMETERS [INCHES] UNLESS OTHERWISE NOTED.
 2. REFER TO "www.bannerengineering.com" FOR ADDITIONAL DATA AND SPECIFICATIONS.

This drawing is the property of BANNER ENGINEERING CORP. Any use or reproduction, in any form, without prior written permission of Banner is prohibited. © 2015 Banner Engineering Corp.



BANNER ENGINEERING CORP.
 www.bannerengineering.com

THIRD ANGLE PROJECTION



TITLE
BA2 SERIES SS TERMINATED

SIZE B DRAWING NO. **161919** REV. **A**

SCALE 5:4 SHEET 1 OF 2

CREO

8	7	6	5	4	3	2	1
MODEL NO.	"L"	"D"	P/N	MODEL NO.	"L"	"D"	P/N
BA225S	300	.125	00000	BA24SM600	48	.125	24487
BA24.4SMSS1	53	.125	20624	BA28SM600	96	.125	24289
BA2.23S	36	.135	00000	BA222SM600	264	.125	00000
BA2.24S	48	.135	00000	BA1.52S	24	.090	64415
BA2.25S	60	.135	00000	BA213S	156	.125	65962
BA2.26S	72	.135	00000	BA220S	240	.125	78118
BA249S	588	.125	21252				
BA29S	108	.125	21485				
BA13SM600	36	.062	21492				
BA1.53S	36	.090	21536				
BA28.2S	98	.125	22060				
BA1.51S	12	.090	22092				
BA14S	48	.062	22151				
BA15S	60	.062	22175				
BA16S	72	.062	22319				
BA27S	84	.125	22370				
BA23SM600	36	.125	23396				
BA23.2S	38	.125	00000				
BA25.3S	63	.125	00000				
BA25.33S	64	.125	22965				
BA.752S	24	.046	23029				
BA217S	204	.125	00000				
BA12S	24	.062	23431				
BA19S	108	.062	23703				
BA17S	84	.062	00000				
BA26SM600	72	.125	23905				
BA25SM600	60	.125	00000				
BA24SM600	48	.125	24487				

NOTES:

1. 'M600' SUFFIX INDICATES FIBERS POTTED ON ANGLED END WITH EPOXY OPERATES IN MAX. TEMPERATURE OF 600°F.

NOTES:
 1. ALL DIMENSIONS ARE MILLIMETERS [INCHES] UNLESS OTHERWISE NOTED.
 2. REFER TO "www.bannerengineering.com" FOR ADDITIONAL DATA AND SPECIFICATIONS.

This drawing is the property of BANNER ENGINEERING CORP. Any use or reproduction, in any form, without prior written permission of Banner is prohibited. © 2015 Banner Engineering Corp.

BANNER BANNER ENGINEERING CORP.
 www.bannerengineering.com

TITLE
BA2 SERIES SS TERMINATED



THIRD ANGLE PROJECTION

SIZE: BA2 SERIES SS TERMINATED
 DRAWING NO. **161919**
 SCALE: 5-123:2
 2 OF 2 SHEET 2 OF 1219
 REV. **A**
 CREO



SCATTERGOOD & JOHNSON LTD

ELECTRICAL ENGINEERING & FLUID CONTROL DISTRIBUTORS

Est.1899

At Scattergood & Johnson Ltd, we pride ourselves on being a technical distributor to specialist industries.

Working with a range of quality product suppliers across a number of specialist markets, we are not your average 'box shifter' - we are your technical and supply chain partner.

We fully support every product we sell - for free! Our internal team and external sales engineers can answer any product or application question, no matter the complexity.

Backing up this technical ability is a range of 50,000+ products available from stock for nationwide next day delivery (same day if required!), or you can collect what you need from any of our trade counters around the UK.

Select your specialist interest below to learn more about how we can help.



Online, In Branch and On the Road - Scattergood & Johnson Ltd, there when you need us.

www.scatts.co.uk