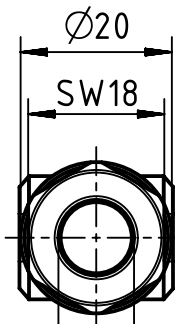
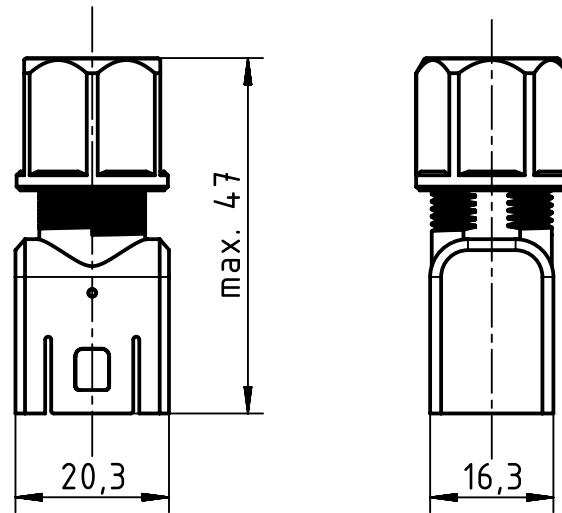


A

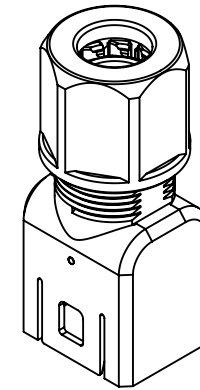
B


C

D



cable
 \varnothing min. 5,7
 \varnothing max. 10



| | | | | | | |
|---|---|---|-----------------------|--------------------------|---------------------------|--|
|  | All rights reserved Department EL PD | All Dimensions in mm Original Size DIN A4 | | Scale 1:1 | Free size tol. | Ref. Sub. |
| | | HARTING Electric GmbH & Co. KG D-32339 Espelkamp | Created by HOLLERT | Inspected by SPILKERN | Standardisation GARSKE | Date 2020-01-17 |
| Title Han 1A-back shell 5,7-10mm | | | | | | Doc-Key / ECM-Nr. 100740169/UGD/002/B 500000164873 |
| Type TB | | | | Number 09 10 000 0400 | | Rev. B |
| | | | | | | Page 1/1 |