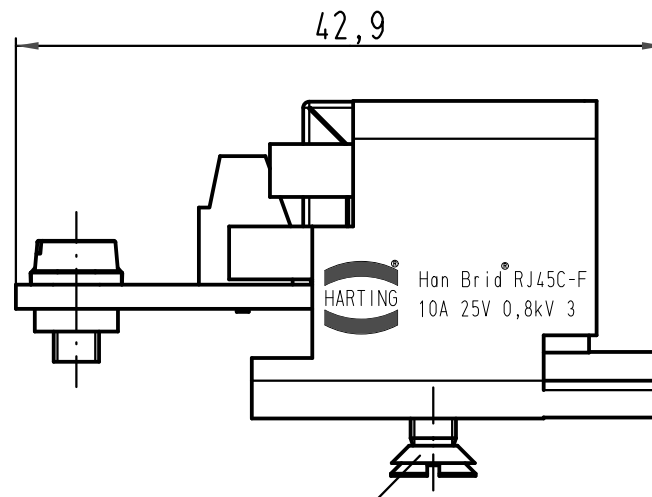
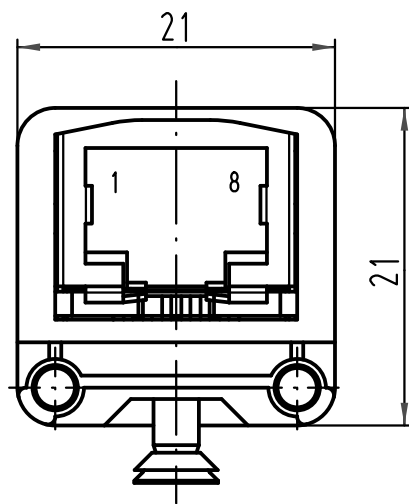
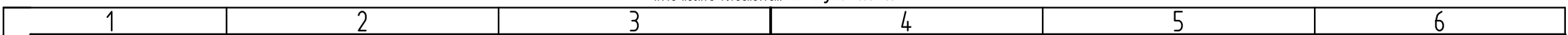
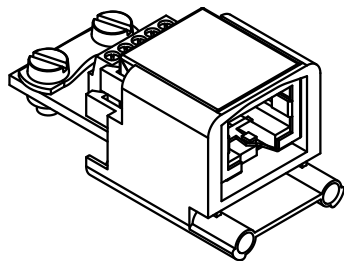
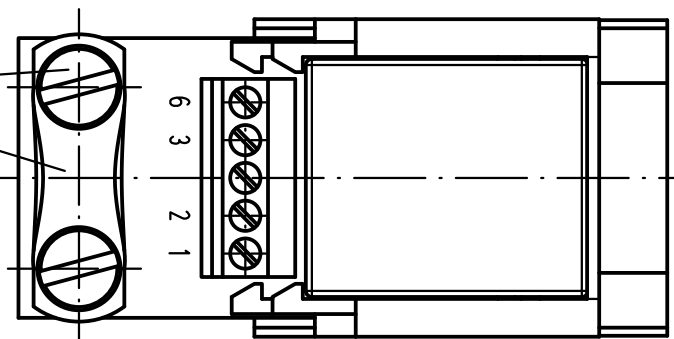


Alle Rechte vorbehalten/ All rights reserved



Senkschraube M3x6 lose beigelegt/  
countersunk screw M3x6 enclosed separately

Zugentlastungsschelle und  
Zylinderschrauben M3x6  
lose beigelegt / strain relief  
and screws M3x6 enclosed separately



All Dimensions in mm Original Size DIN A 4			Techn. Character.			Nicht tolerierte Masse! Free size tolerances		
			Dat.	Name	Massstab/Scale <b>2:1</b>	<b>Han Brid RJ45C-F</b> Wanddurchführung/ panel feed through		
			Detail.	15.07.05 Ho				
			Insp.	SUN				
			Stand.					
412969	04.06.07	Ho	HARTING Electric GmbH & Co. KG			<b>TB 09 12 003 2770</b>		
411706			D-32339 Espelkamp					
Mod.	Dat.	Name						



# SCATTERGOOD & JOHNSON LTD

ELECTRICAL ENGINEERING & FLUID CONTROL DISTRIBUTORS

Est.1899

At Scattergood & Johnson Ltd, we pride ourselves on being a technical distributor to specialist industries.

Working with a range of quality product suppliers across a number of specialist markets, we are not your average 'box shifter' - we are your technical and supply chain partner.

We fully support every product we sell - for free! Our internal team and external sales engineers can answer any product or application question, no matter the complexity.

Backing up this technical ability is a range of 50,000+ products available from stock for nationwide next day delivery (same day if required!), or you can collect what you need from any of our trade counters around the UK.

Select your specialist interest below to learn more about how we can help.



Online, In Branch and On the Road - Scattergood & Johnson Ltd, there when you need us.

# [www.scatts.co.uk](http://www.scatts.co.uk)