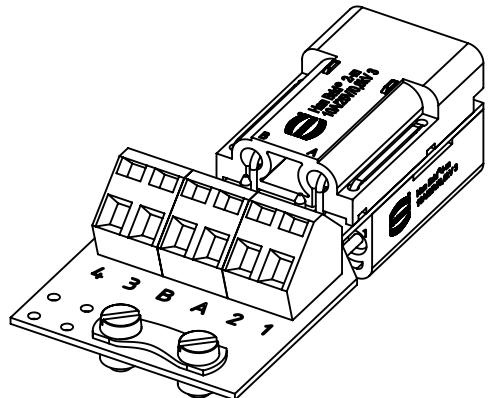
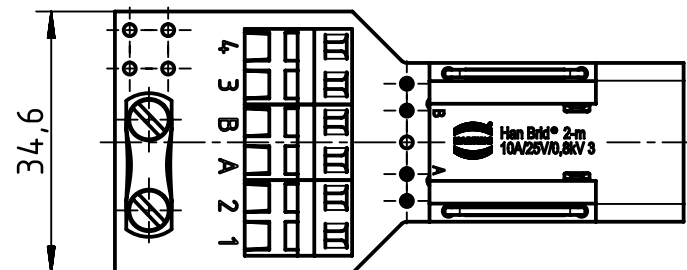


countersunk screw  
M3x6 enclosed



	All Dimensions in mm Original Size DIN A4	Scale 1:1		Free size tol.		Ref.	
		Created by RULLKOETTER		Inspected by BERGHORN		Standardisation RUETERA	
	All rights reserved Department EL PD - DE	Title Han Brid-Wandd.+ Cu-B Sti-c(G) WagoKlemm		State Final Release		Doc-Key / ECM-Nr. 100132580/UGD/005/B 500000130161	
		HARTING Electric GmbH & Co. KG D-32339 Espelkamp		Type TB Number 09 12 006 2695		Rev. B Page 1/1	