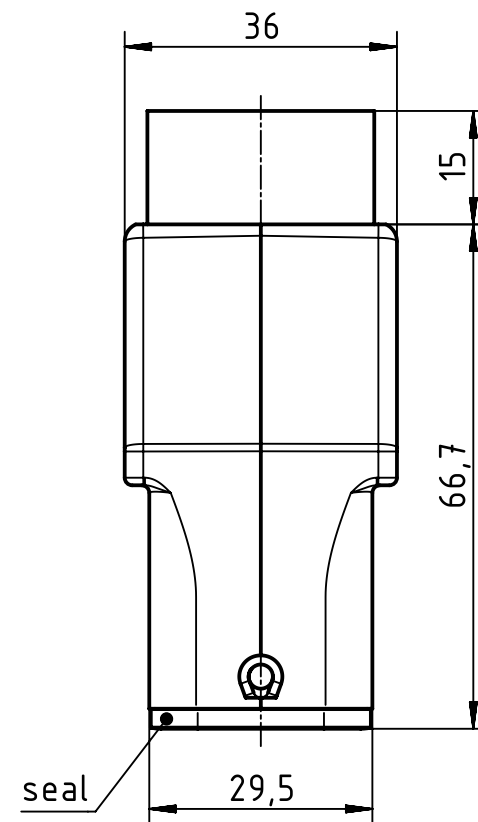
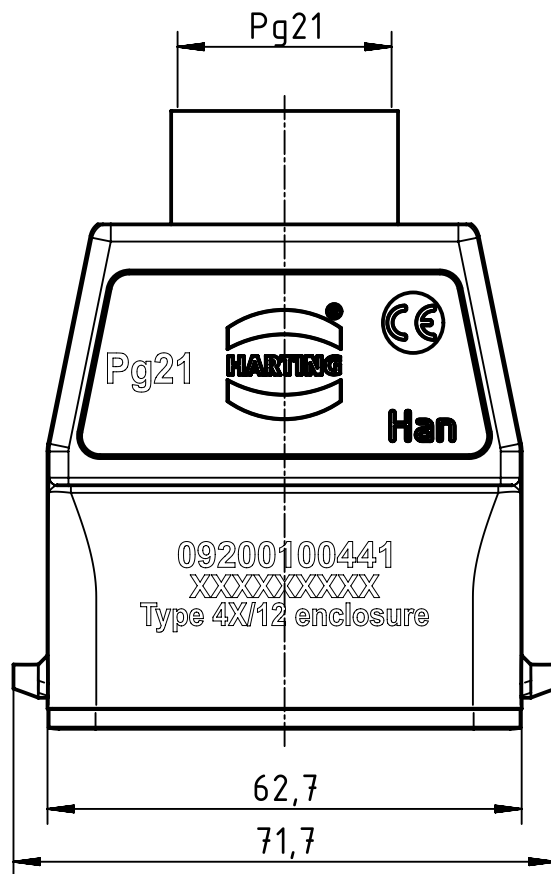
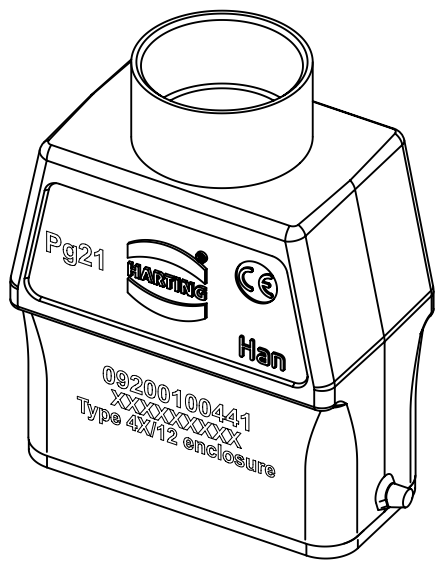
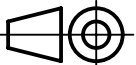



1 2 3 4 5 6

A  
B  
C  
D



 All Dimensions in mm Original Size DIN A4	Scale	Free size tol.		Ref.	
	1:1			Sub.	
 All rights reserved Department EL PD	Created by	Inspected by	Standardisation	Date	State
	RULLKOETTER	GERB	GARSKE	2019-11-22	Final Release
HARTING Electric GmbH & Co. KG D-32339 Espelkamp	Title			Doc-Key / ECM-Nr.	
	Han 10A-HTE-HC-for SL-Pg21			100189394/UGD/004/D 500000160860	
Type		Number		Rev.	Page
TB		09 20 010 0441		D	1/1