

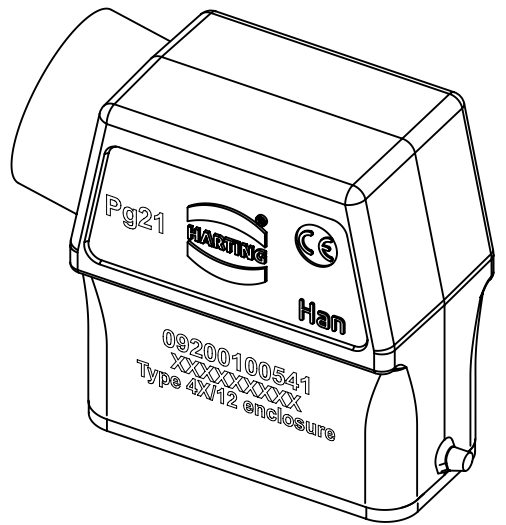
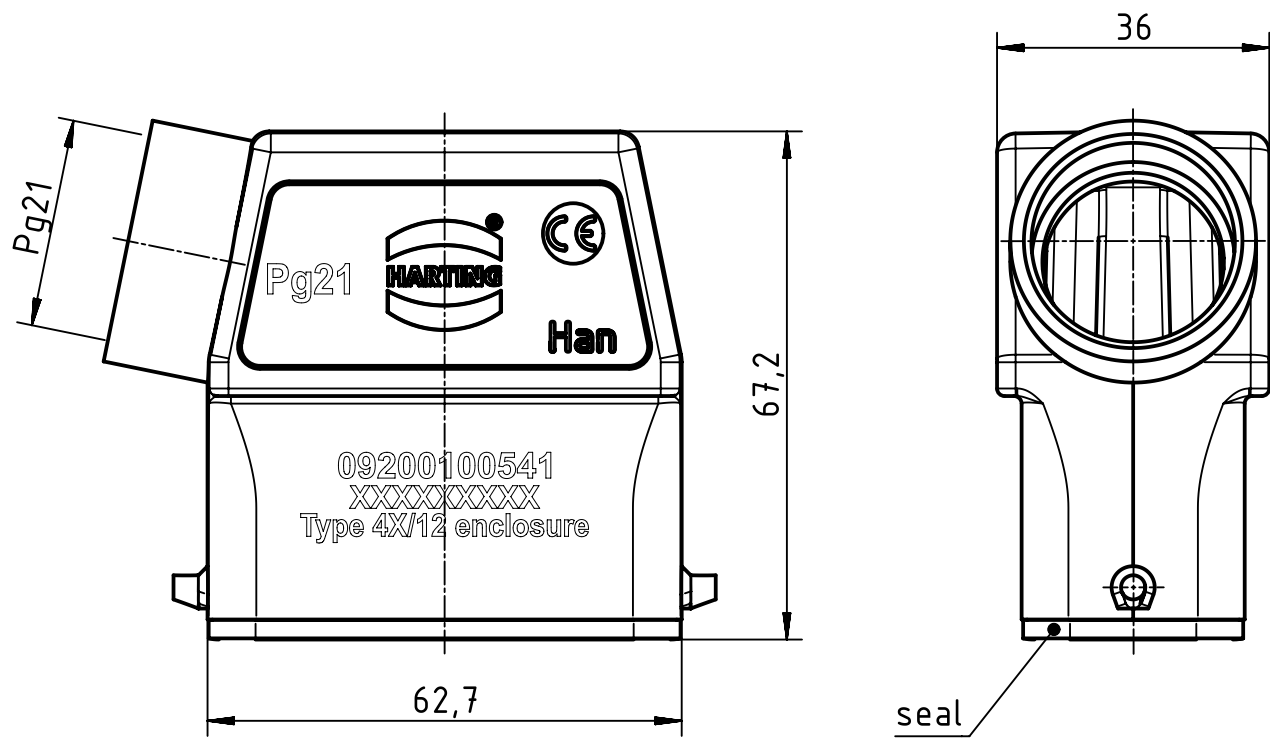
1 2 3 4 5 6

A

B

C

D



	All Dimensions in mm Original Size DIN A4	Scale 1:1		Free size tol.		Ref.	
		Created by RULLKOETTER		Inspected by GERB		Date 2019-11-22	
	All rights reserved Department EL PD	Standardisation GARSKE		State Final Release		Doc-Key / ECM-Nr. 100189405/UGD/004/C 500000160860	
		Title Han 10A-HSE-HC-for SL-Pg21		Type TB		Number 09 20 010 0541	
HARTING Electric GmbH & Co. KG D-32339 Espelkamp							