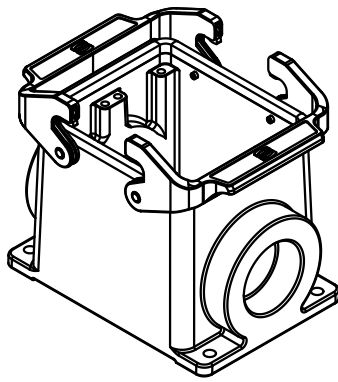
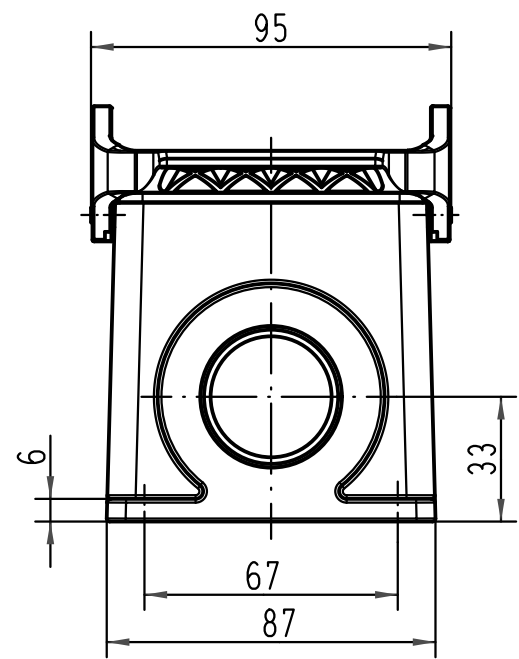


Dichtung/
seal

Blindstutzen bei
einem Kabelausgang
blind way for
one cable entry



All Dimensions in mm Original Size DIN A 4			Techn. Character.			Nicht tolerierte Maß/Free size tolerances		
			Dat.	Name	Maßstab/Scale 1:2	Han 32B-asg1-QB-29 Sockelgehäuse/ housing surface mounting		
			Detail.	04.02.93 PENNER				
			Insp.	HERB				
			Stand.	NÖTZEL				
413164	30.08.07	Ho	HARTING Electric GmbH & Co. KG			TB 09 30 032 0231		
24826	30.11.98	PL	D-32339 Espelkamp					
Mod.	Dat.	Name				Sub.		

Blatt/ page



**SCATTERGOOD
& JOHNSON LTD**
ELECTRICAL ENGINEERING & FLUID CONTROL DISTRIBUTORS

Est.1899

At Scattergood & Johnson Ltd, we pride ourselves on being a technical distributor to specialist industries.

Working with a range of quality product suppliers across a number of specialist markets, we are not your average 'box shifter' - we are your technical and supply chain partner.

We fully support every product we sell - for free! Our internal team and external sales engineers can answer any product or application question, no matter the complexity.

Backing up this technical ability is a range of 50,000+ products available from stock for nationwide next day delivery (same day if required!), or you can collect what you need from any of our trade counters around the UK.

Select your specialist interest below to learn more about how we can help.



Online, In Branch and On the Road - Scattergood & Johnson Ltd, there when you need us.

www.scatts.co.uk