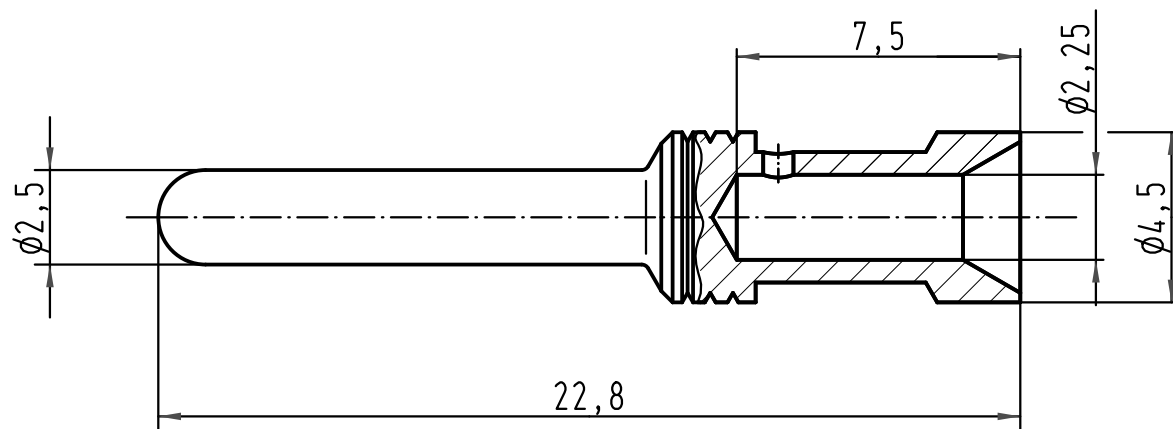
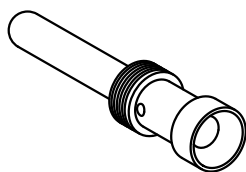


Alle Rechte vorbehalten/ All rights reserved



Leiterquerschnitt: 2,5mm²
 wire gauge: AWG 14



		All Dimensions in mm Original Size DIN A 4		Techn. Character.		Nicht tolerierte Maßel/Free size tolerances		
						5:1	Han E Schaltkontakt-c <i>Han E relay contact-c</i> versilbert/silver plated	
				Dat.	Name			
				Detail. 09.12.99	Th			
				Insp.	SDT			
414015	15.07.08	Bor		Stand.				
413214	17.09.07	Rull		HARTING Electric GmbH & Co. KG D-32339 Espelkamp			TB 09 33 000 6111	
27662								
Mod.	Dat.	Name					Blatt/ page	
							Sub. TB 09 33 000 6... v. 11.12.92	



SCATTERGOOD & JOHNSON LTD

ELECTRICAL ENGINEERING & FLUID CONTROL DISTRIBUTORS

Est.1899

At Scattergood & Johnson Ltd, we pride ourselves on being a technical distributor to specialist industries.

Working with a range of quality product suppliers across a number of specialist markets, we are not your average 'box shifter' - we are your technical and supply chain partner.

We fully support every product we sell - for free! Our internal team and external sales engineers can answer any product or application question, no matter the complexity.

Backing up this technical ability is a range of 50,000+ products available from stock for nationwide next day delivery (same day if required!), or you can collect what you need from any of our trade counters around the UK.

Select your specialist interest below to learn more about how we can help.



Online, In Branch and On the Road - Scattergood & Johnson Ltd, there when you need us.

www.scatts.co.uk