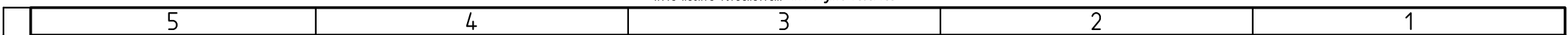


Alle Rechte vorbehalten/ All rights reserved



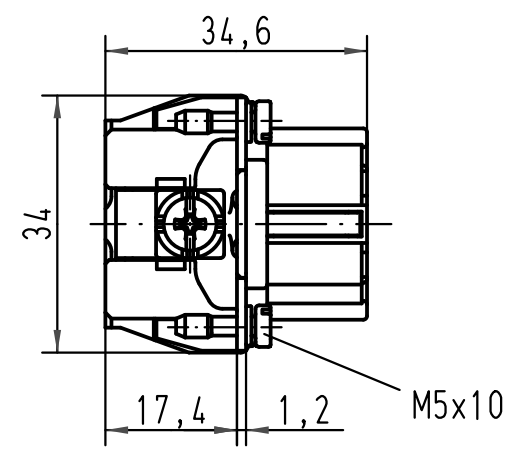
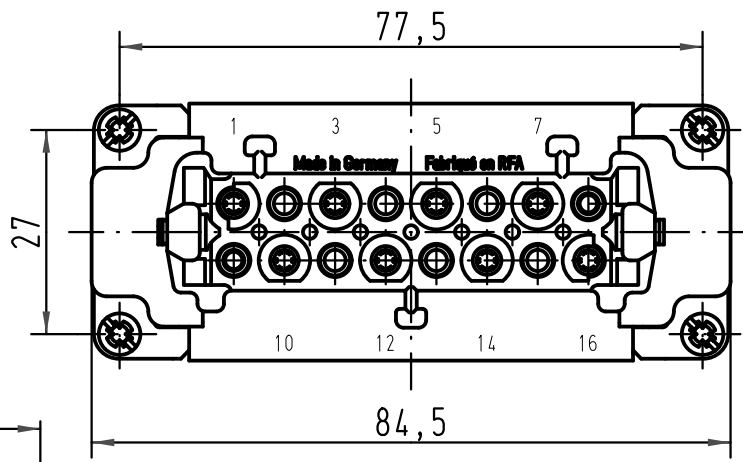
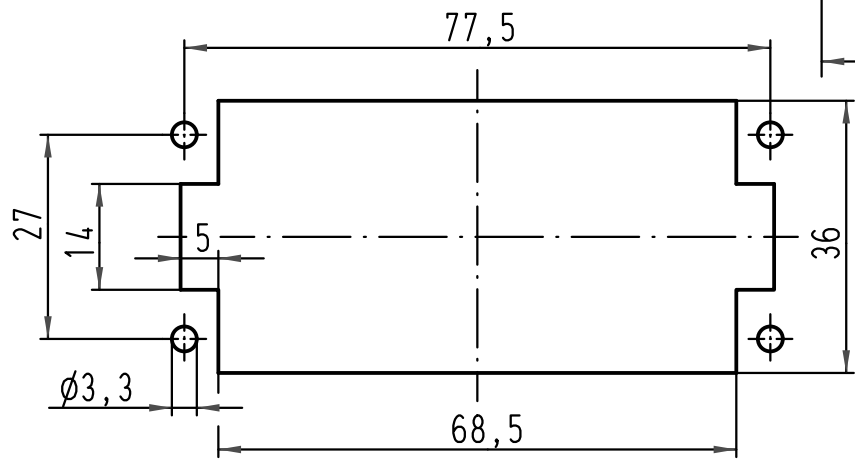
D

C

B

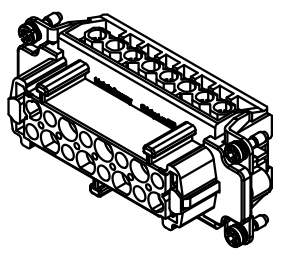
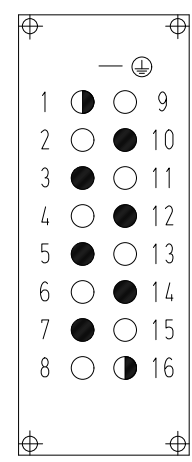
A

Montageausschnitt /
panel cut out



Kontaktanordnung (Ansicht Anschlussseite)
contact arrangement (view from terminal side)

- Arbeitskontakte
working contacts
- ◐ Schaltkontakte
relay contacts
- Leerstelle
without contacts



All Dimensions in mm Original Size DIN A 4		Techn. Character.		Nicht tolerierte Maßel Free size tolerances	
		Dat.	Name	Maßstab/ Scale 1:1	
		Detail.	29.07.04 Loh.		
		Insp.	KR		
		Stand.			
413214	17.09.07	Rull	HARTING Electric GmbH & Co. KG		Han 6HvE-F-s Buchseneinsatz/female insert
411162			D-32339 Espelkamp		
Mod.	Dat.	Name			TB 09 34 006 2701 Sub. f. TB 09 34 0.. 2701 v.23.03.01
					Blatt/ page



SCATTERGOOD & JOHNSON LTD

ELECTRICAL ENGINEERING & FLUID CONTROL DISTRIBUTORS

Est.1899

At Scattergood & Johnson Ltd, we pride ourselves on being a technical distributor to specialist industries.

Working with a range of quality product suppliers across a number of specialist markets, we are not your average 'box shifter' - we are your technical and supply chain partner.

We fully support every product we sell - for free! Our internal team and external sales engineers can answer any product or application question, no matter the complexity.

Backing up this technical ability is a range of 50,000+ products available from stock for nationwide next day delivery (same day if required!), or you can collect what you need from any of our trade counters around the UK.

Select your specialist interest below to learn more about how we can help.



Online, In Branch and On the Road - Scattergood & Johnson Ltd, there when you need us.

www.scatts.co.uk