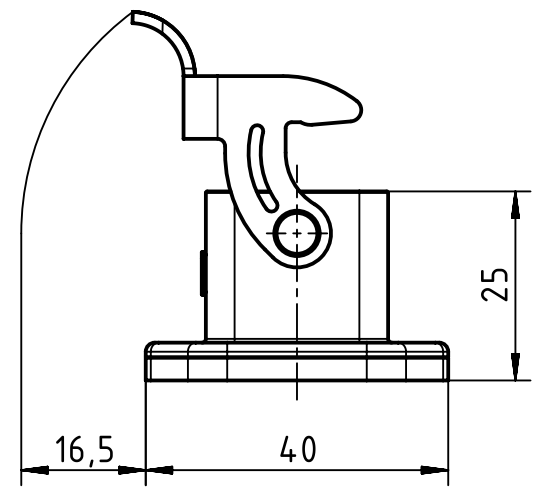
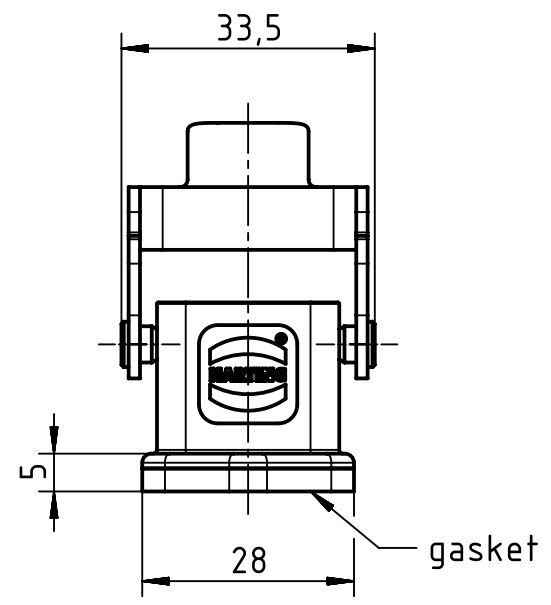
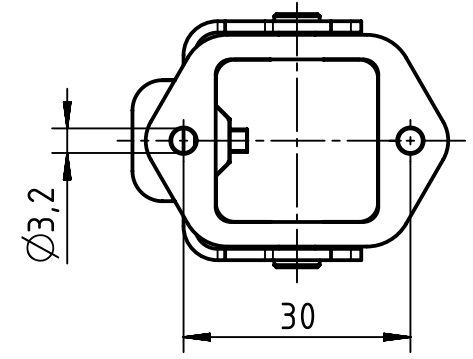
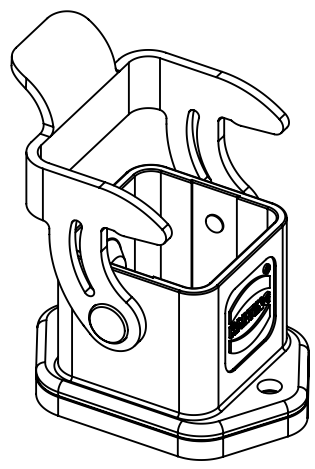
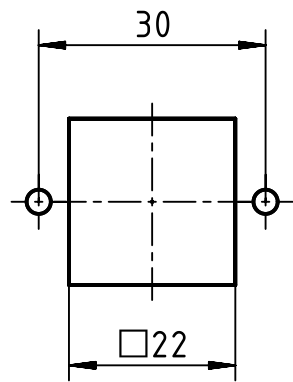


panel cut out



Insert fixing screw M3x6 enclosed

	All rights reserved Department EL PD HARTING Electric GmbH & Co. KG D-32339 Espelkamp	All Dimensions in mm Original Size DIN A4	Scale 1:1	Free size tol.	Ref. Sub.
		Created by SPRENB	Inspected by GERB	Standardisation GARSKE	Date 2019-09-11
Title Han 3M Base Panel 1 Lever					Doc-Key / ECM-Nr. 100124081/UGD/006/C 500000149677
Type TB		Number 09 37 003 0301			Rev. C
					Page 1/1